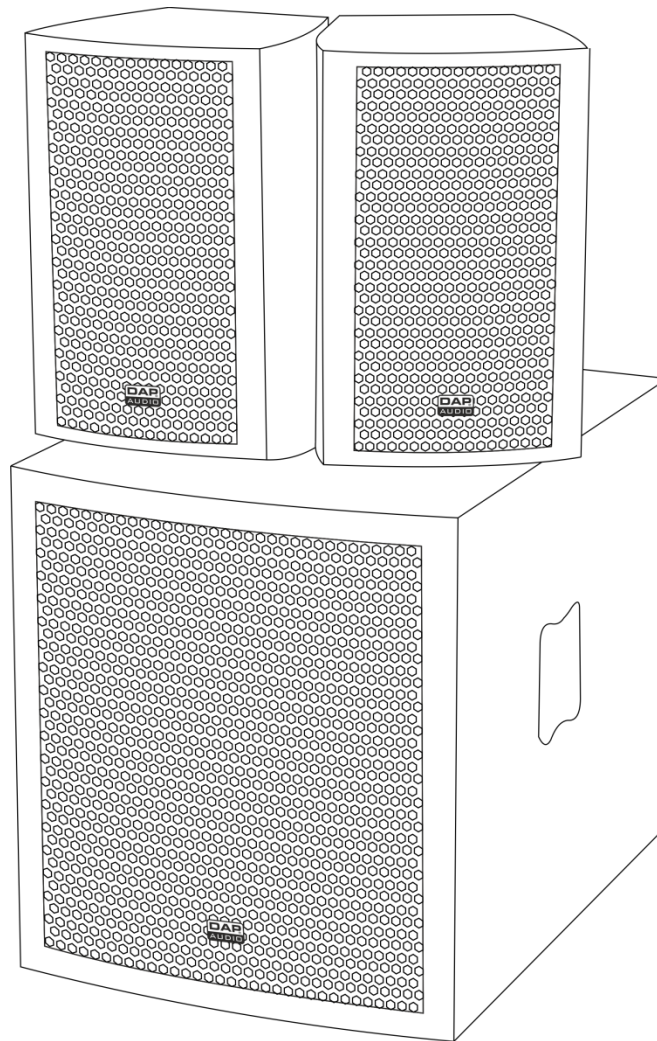




MANUAL



ENGLISH

Clubmate I™

Ordercode: D3263

Table of contents

Warning	2
Unpacking Instructions.....	2
Safety Instructions	2
Operating Determinations	3
Connection with the mains.....	4
Return Procedure.....	4
Claims.....	4
Description of the device	5
Features	5
Overview Subwoofer.....	6
Overview Satellite	7
Set Up and Operation	8
Connection Cables	8
Maintenance	9
Replacing a fuse	9
Troubleshooting	9
Specifications	10
Subwoofer	10
Satellites	10

Warning



**FOR YOUR OWN SAFETY, PLEASE READ THIS USER MANUAL CAREFULLY
BEFORE YOUR INITIAL START-UP!**



Unpacking Instructions

Immediately upon receiving this product, carefully unpack the carton and check the contents to ensure that all parts are present and have been received in good condition. Notify the dealer immediately and retain packing material for inspection if any parts appear damaged from shipping or the carton itself shows signs of mishandling. Save the carton and all packing materials. In the event that a fixture must be returned to the factory, it is important that the fixture be returned in the original factory box and packing.

Your shipment includes:

- DAP Clubmate 1
- IEC powercord 1,5m
- User manual



CAUTION!
Keep this device away from rain and moisture!



Safety Instructions

Every person involved with the installation, operation and maintenance of this system has to:

- be qualified
- follow the instructions of this manual

Before you initial start-up, please make sure that there is no damage caused by transportation. Should there be any, consult your dealer and do not use the system.

To maintain perfect condition and to ensure a safe operation, it is absolutely necessary for the user to follow the safety instructions and warning notes written in this manual.

Please consider that damages caused by manual modifications to the system are not subject to warranty.

This system contains no user-serviceable parts. Refer servicing to qualified technicians only.

IMPORTANT:

The manufacturer will not accept liability for any resulting damages caused by the non-observance of this manual or any unauthorized modification to the system.

- Never let the power-cord come into contact with other cables! Handle the power-cord and all connections with the mains with particular caution!
- Never remove warning or informative labels from the unit.
- Never use anything to cover the ground contact.
- Never leave any cables lying around.
- Do not insert objects into air vents.
- Do not connect this system to a dimmerpack.

- Do not switch the system on and off in short intervals, as this would reduce the system's life.
- Do not open the device and do not modify the device.
- Do not drive the inputs with a signal level bigger, than required to drive the equipment to full output.
- Do not plug Mics into the console (or stagebox) while Phantom Power is on. Also mute the monitor / Pa system when turning Phantom Power on or off. Allow the system to adjust for a couple of seconds, before setting the input gains.
- Only use system indoor, avoid contact with water or other liquids.
- Avoid flames and do not put close to flammable liquids or gases.
- Always disconnect power from the mains, when system is not used. Only handle the power-cord by the plug. Never pull out the plug by tugging the power-cord.
- Always operate the unit with the AC ground wire connected to the electrical system ground.
- Make sure you don't use the wrong kind of cables or defective cables.
- Make sure that the signals into the mixer are balanced, otherwise hum could be created.
- Make sure you use DI boxes to balance unbalanced signals; All incoming signals should be clear.
- Make sure that the available voltage is not higher than stated on the rear panel.
- Make sure that the power-cord is never crimped or damaged. Check the system and the power-cord from time to time.
- Please turn off the power switch, when changing the power cord or signal cable, or select the input mode switch.
- Extreme frequency boosts in connection with a high input signal level may lead to overdriving your equipment. Should this occur, it is necessary to reduce the input signal level by using the INPUT control.
- To emphasize a frequency range, you don't necessarily have to move its respective control upward; try lowering surrounding frequency ranges instead. This way, you avoid causing the next piece of equipment in your sound path to overdrive. You also preserve valuable dynamic reserve ("headroom")
- Avoid ground loops! Always be sure to connect the power amps and the mixing console to the same electrical circuit to ensure the same phase!
- If system is dropped or struck, disconnect mains power supply immediately. Have a qualified engineer inspect for safety before operating.
- If the system has been exposed to drastic temperature fluctuation (e.g. after transportation), do not switch it on immediately. The arising condensation water might damage your system. Leave the system switched off until it has reached room temperature.
- If your Dap Audio device fails to work properly, discontinue use immediately. Pack the unit securely (preferably in the original packing material) and return it to your Dap Audio dealer for service.
- Repairs, servicing and electric connection must be carried out by a qualified technician.
- For replacement use fuses of same type and rating only.
- WARRANTY: Till one year after date of purchase.

Operating Determinations

This system is not designed for permanent operation. Consistent operation breaks will ensure that the system will serve you for a long time without defects.

If this system is operated in any other way, than the one described in this manual, the product may suffer damages and the warranty becomes void.


Any other operation may lead to dangers like short-circuit, burns, electric shock, etc.

You endanger your own safety and the safety of others!

Connection with the mains

Connect the device to the mains with the power-plug.

Always pay attention, that the right color cable is connected to the right place.

International	EU Cable	UK Cable	US Cable	Pin
L	BROWN	RED	YELLOW/COPPER	FASE
N	BLUE	BLACK	SILVER	NUL
	YELLOW/GREEN	GREEN	GREEN	EARTH

Make sure that the device is always connected properly to the earth!

Improper installation can cause serious damage to people and property!



Return Procedure



Returned merchandise must be sent prepaid and in the original packing, call tags will not be issued. Package must be clearly labeled with a Return Authorization Number (RMA number). Products returned without an RMA number will be refused. Highlite will not accept the returned goods or any responsibility. Call Highlite 0031-455667723 or mail offersales@highlite.nl and request an RMA prior to shipping the fixture. Be prepared to provide the model number, serial number and a brief description of the cause for the return. Be sure to properly pack fixture, any shipping damage resulting from inadequate packaging is the customer's responsibility. Highlite reserves the right to use its own discretion to repair or replace product(s). As a suggestion, proper UPS packing or double-boxing is always a safe method to use.

Note: If you are given an RMA number, please include the following information on a piece of paper inside the box:

- 1) Your name
- 2) Your address
- 3) Your phone number
- 4) A brief description of the symptoms

Claims

The client has the obligation to check the delivered goods immediately upon delivery for any shortcomings and/or visible defects, or perform this check after our announcement that the goods are at their disposal. Damage incurred in shipping is the responsibility of the shipper; therefore the damage must be reported to the carrier upon receipt of merchandise.

It is the customer's responsibility to notify and submit claims with the shipper in the event that a fixture is damaged due to shipping. Transportation damage has to be reported to us within one day after receipt of the delivery.

Any return shipment has to be made post-paid at all times. Return shipments must be accompanied with a letter defining the reason for return shipment. Non-prepaid return shipments will be refused, unless otherwise agreed in writing.

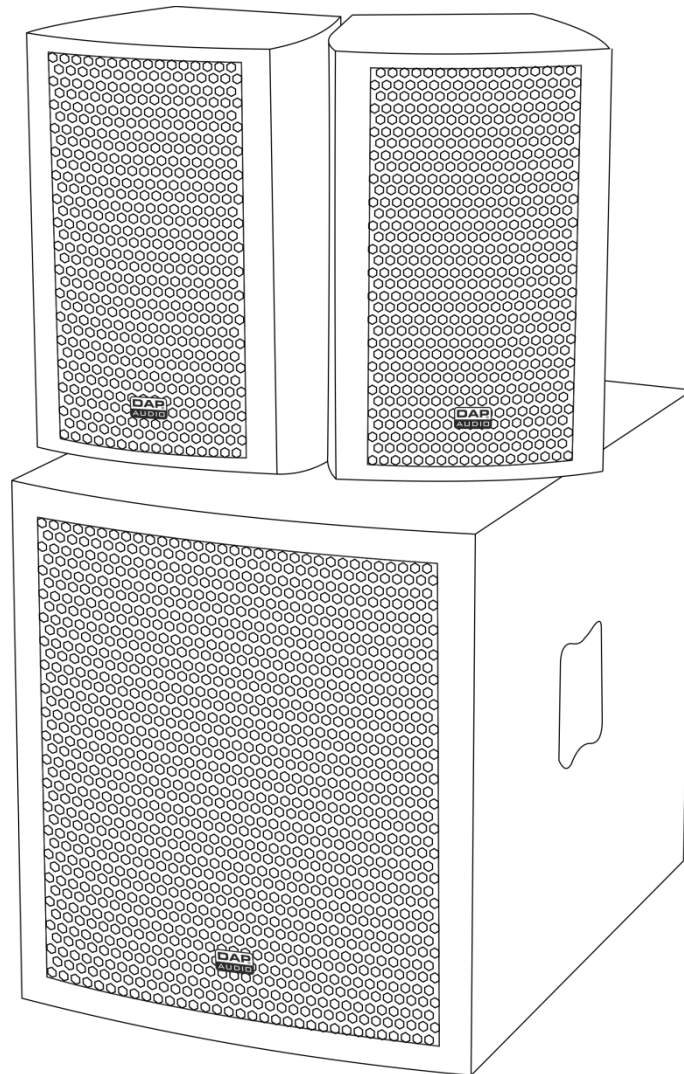
Complaints against us must be made known in writing or by fax within 10 working days after receipt of the invoice. After this period complaints will not be handled anymore.

Complaints will only then be considered if the client has so far complied with all parts of the agreement, regardless of the agreement of which the obligation is resulting.

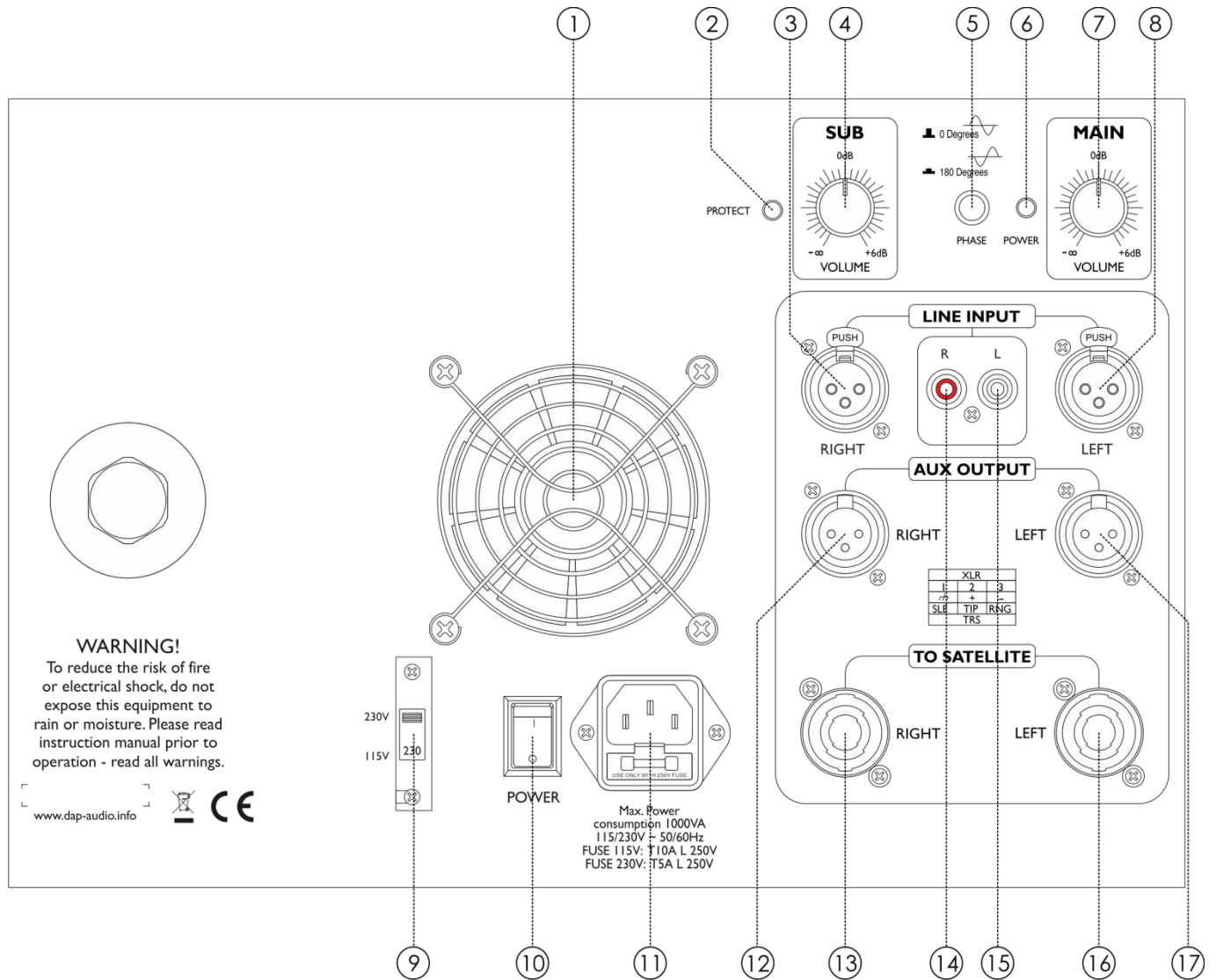
Description of the device

Features

- The Dap Clubmate 1 is a 12" active speaker set.
- High power, long excursion 12 inch subwoofer speaker units.
- Special mid speaker unit with a very high efficiency.
- Special high drivers and elliptical wave guide for frequencies up to 20 KHz.
- All amplifiers and electronics are build in the subwoofer cabinet.
- Build in dynamic compressor and limiter circuits for optimal protection and low distortion
- Build in subsonic filter for optimal subwoofer protection.
- Build in high driver protection.
- Excellent stereo image.
- 13-layers plywood for the subwoofer, MDF for the satellites for optimal suppression of internal resonances.
- Special high driver with neodymium magnet and metalized polycarbonate dome for a very smooth frequency response up to 20 kHz.



Overview Subwoofer



- ① **Air cooling window**

- ② **Protect LED**
Lights if the units protection circuit is active. If the protection circuit is active, the outputs will be muted.

- ③ **Right channel combo line input**
The input equipped with 3 pole XLR/ jack combo socket is electronically balanced to accept the (line) signal from any mixing console.

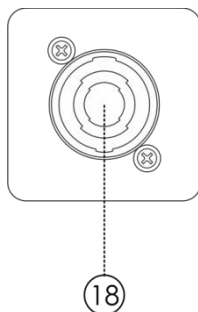
- ④ **Sub volume control**
This control allows you to adjust the Subwoofer volume level.

- ⑤ **Phase switch**
This switch allows you to inverse the phase of the Satellite outputs if necessary.

- ⑥ **Power LED**
Lights if the power is on.

- ⑦ **Main volume control**
This control allows you to adjust the total volume level of the clubmate.
- ⑧ **Left channel combo line input**
The input equipped with 3 pole XLR/ jack combo socket is electronically balanced to accept the (line) signal from any mixing console.
- ⑨ **115V/230V Switch**
Before plugging in the power cord, make sure the 115/230V switch is set to the proper voltage.
- ⑩ **Power switch**
Do not supply power before the whole system is set up and connected properly. Make sure the **115/230V (9)** switch is set to the proper voltage.
- ⑪ **IEC connector with integrated fuse holder**
This connector is meant for the connection of the supplied main cord. Connect one end of the power cord to the connector, the other end to the mains, then turn on the **Power (10)** switch to operate the unit.
Note: Please make sure that the supply voltage matches the operation voltage before connecting the unit to mains. Replace the fuse only with a fuse of same specification (115V:T10A/230V:T5A).
- ⑫ **Right channel XLR aux output**
This parallel output allows you to connect more bass-cabinets together as well to connect other systems such as monitor power amplifiers, individual components etc.
- ⑬ **To satellite left speakon output**
This output is used to connect your left Satellite Speaker.
- ⑭ **Left channel RCA line Input**
Use this input for connecting a mixer equipped with RCA outputs.
- ⑮ **Right channel RCA line Input**
Use this input for connecting a mixer equipped with RCA outputs.
- ⑯ **To satellite right speakon output**
This output is used to connect your right Satellite Speaker.
- ⑰ **Right channel XLR full-range output**
This parallel output allows you to connect more bass-cabinets together as well to connect other systems such as monitor power amplifiers, individual components etc.

Overview Satellite



- ⑱ **Satellite speakon input**
Connect this to the **To Satellite (13, 16)** output of the subwoofer. Use a good quality speakon cable. E.g. DAP Audio FS17, FS04, FS14, FS18, FS20, FS21, FS15.

Set Up and Operation

The satellite

The Club Mate satellite is designed to produce a mid/high spectrum of sound. The satellite is equipped with a 6.5" LF loudspeaker and a 1" HF driver.

The subwoofer

Feel the bass with this 12" subwoofer. The subwoofer cabinet is powered through a powerful 350W amplifier. The subwoofer also has a built in 2 x 120W amplifier for powering the satellites.

Connecting

Connect the cables coming from the mixer to the XLR line input (3, 8) or the RCA input (14, 15) sockets of the subwoofer. Depending on the mixer's output sockets use either a Jack, XLR or RCA cable. Use a Speakon cable to connect the to satellite (13, 16) outputs of the subwoofer to the speakon input (18) of the satellites.

Linking

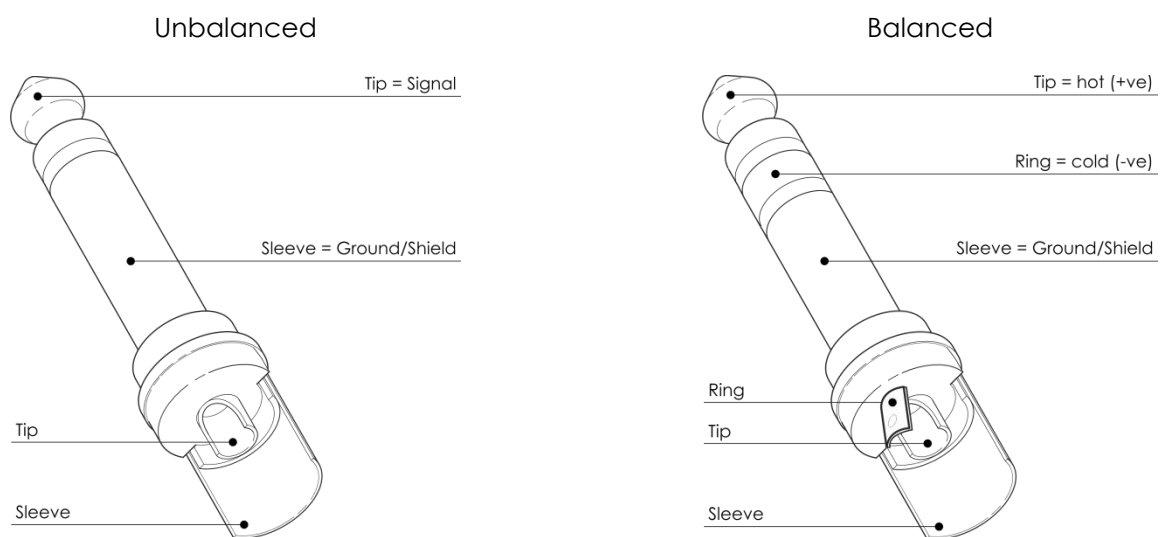
Connect a standard microphone cable from the first unit's aux (12, 17) outputs to the second unit's Line Inputs (3, 8). Repeat this for each stack. Make sure that when using multiple tops, they are placed with a proper projection angle.

Note: Do not supply power before all components of the system are set up and connected properly. Make sure that the Club Mate system is always the last component, which is switched on! When shutting down, the Club Mate should be the first system, to be switched off.

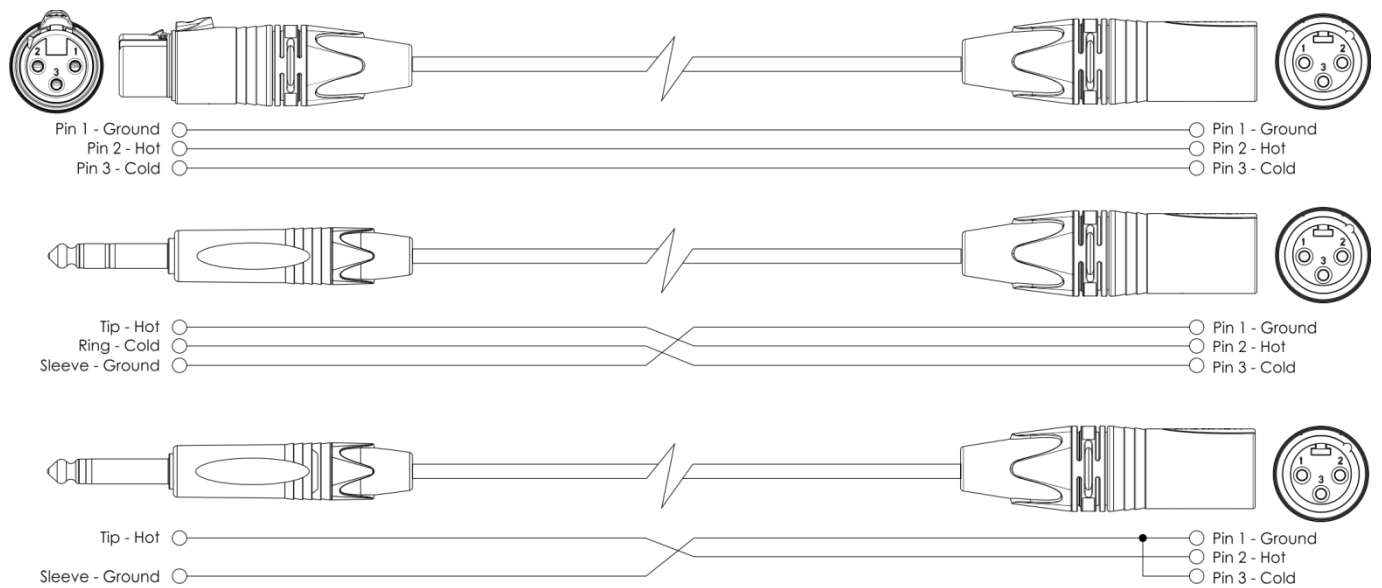
Before plugging the unit in, always make sure that the power supply matches the product specification voltage. Do not attempt to operate an 115V specification product on 230V power, or vice versa.

Connection Cables

Take care of your cables, always holding them by the connectors and avoiding knots and twists when coiling them: This gives the advantage of increasing their life and reliability. Periodically check your cables. A great number of problems (faulty contacts, ground hum, discharges, etc.) are caused entirely by using unsuitable or faulty cables.



For these applications the unit provides 1/4" TRS and XLR connectors to easily interface with most professional audio devices. Follow the configuration examples below for your particular connection.



Maintenance

The DAP Audio Clubmate I™ requires almost no maintenance. However, you should keep the unit clean. Disconnect the mains power supply and then wipe the cover with a damp cloth. Do not immerse in liquid. Do not use alcohol or solvents. Keep connections clean. Disconnect electric power and then wipe the connections with a damp cloth. Make sure connections are thoroughly dry before linking equipment or supplying electric power.

Replacing a fuse

Power surges, short-circuit or inappropriate electrical power supply may cause a fuse to burn out. If the fuse burns out, the product will not function whatsoever. If this happens, follow the directions below to do so.

1. Unplug the unit from electric power source.
2. Insert a flat-head screwdriver into a slot in the fuse cover. Gently pry up the fuse cover. The fuse will come out.
3. Remove the broken fuse. If brown or unclear, it is burned out.
4. Insert the replacement fuse into the holder where the old fuse was. Reinsert the fuse cover. Be sure to use a fuse of the same type and specification. See the product specification for details.

Troubleshooting

This troubleshooting guide is meant to help solve simple problems. If a problem occurs, carry out the steps below in sequence until a solution is found. Once the unit operates properly, do not carry out following steps.

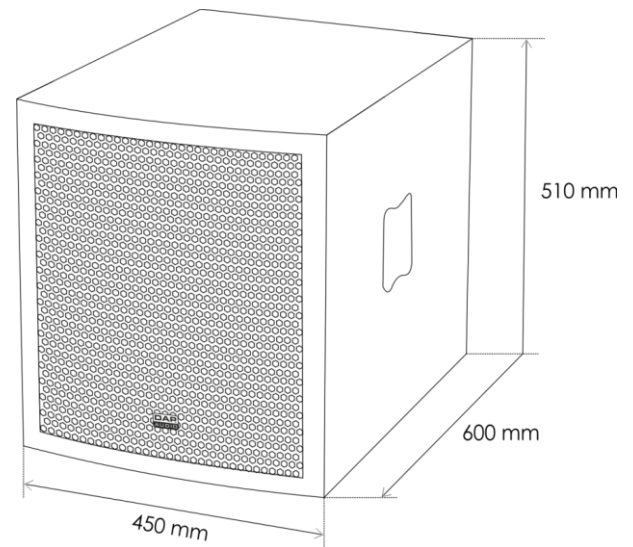
1. If the device does not operate properly, unplug the device.
2. Check the fuse, power from the wall, all cables, etc.
3. If all of the above appears to be O.K., plug the unit in again.
4. If you are unable to determine the cause of the problem, do not open the device, as this may damage the unit and the warranty will become void.
5. Return the device to your Dap Audio dealer.

Specifications

Subwoofer

12" compact vented active PA Subwoofer

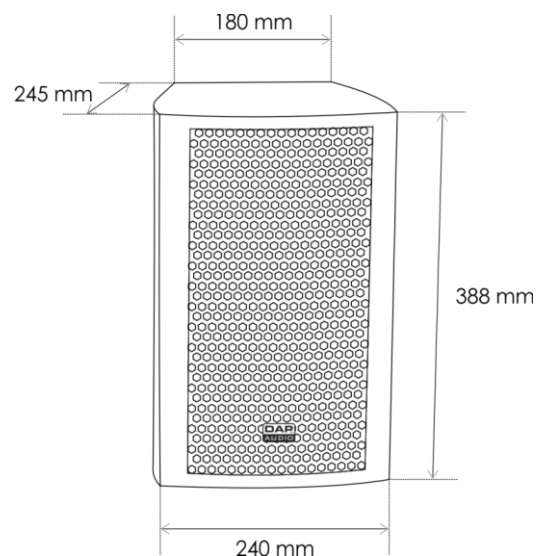
Woofers:	1x FST AL-1264L, 8 Ohm 64 mm Voice Coil
Amplifier Output Low:	350 Watt RMS in 8 Ohm
Amplifier Output High:	2x 120 Watt RMS in 8 Ohm
Frequency Response (-3 dB):	47 – 125 Hz
Crossover Frequency:	125 Hz, 24 dB/Oct BW
Input Sensitivity:	0 dBu, 775 mV
Efficiency (Half Space):	100 dB / W / m
Max. SPL at 1 m (Theoret.):	125.4 dB
Nominal Dispersion (H x V):	360° x 180°
Fuse 230V/115V:	T5A/T10A
Power consumption:	1000VA
Power:	230/115Vac, 50/60Hz
Dimensions (W x H x D):	450 x 510 x 600 mm
Net Weight:	26.0 kg



Satellites

6.5/1" passive closed PA satellite speaker system

Drivers:	6,5"/ 1"
Frequency Response (-3 dB):	125 – 20,000 Hz
Crossover Frequency:	3300 Hz, 12 dB/Oct
Efficiency (Full Space):	95 dB / W / m
Max. SPL at 1 m (Theoret.):	115.8 dB
Nominal Dispersion (H x V):	90° x 60°
Dimensions (W x H x D):	240 x 388 x 245 mm
Net Weight:	6,4 kg





©2013 DAP Audio