

USER MANUAL  
MANUAL DE INSTRUCCIONES  
NOTICE D'UTILISATION  
BEDIENUNGSANLEITUNG

# *Philo S 12A*

**ECLEREO**

**AUDIO CREATIVE POWER**



## INSTRUCTION MANUAL

1. IMPORTANT REMARK	04
2. WARNINGS	04
3. INTRODUCTION	04
4. CHARACTERISTICS	04
5. QUICK START	05
6. USE	06
7. OTHER CONSIDERATIONS	07
8. FUNCTION DIAGRAM	08
9. APPLICATION AND MOUNTING EXAMPLE DIAGRAMS	28
10. TECHNICAL CHARACTERISTICS	30
11. BLOCK DIAGRAM	31

All numbers subject to variation due to production tolerances. ECLER SA reserves the right to make changes or improvements in manufacturing or design which may affect specifications.



## 1. IMPORTANT REMARK

Congratulations! You are the owner of carefully designed and manufactured equipment. We thank you for trusting in us and choosing our PHILOS Series loudspeaker cabinets.

In order to get the optimum operation and efficiency from this unit, it is VERY IMPORTANT - before you plug anything - to read this manual very carefully and bear in mind all considerations specified within it. We strongly recommend that its maintenance be carried out by our Authorized Technical services.

## 2. WARNINGS



No user serviceable parts exist inside these units.

Never use this unit in the proximity of water. Do not expose the unit to water splashing, nor place liquid containers on top of it.

Avoid placing the unit next to heat sources such as spotlights or heaters.

Use only the accessories specified by the manufacturer. The units must never be flown from its transportation handles, use the suitable accessories for each application.

For an effective protection against fire risk, replace the fuse only with another one of the same characteristics, as it's shown in the unit's case.

Keep these instructions and respect the warnings given.

Disconnect the equipment in case of electrical storm or when it's not going to be used for a long time period.

## 3. INTRODUCTION

This unit has been designed for covering a wide range of applications: from conference rooms where superior intelligibility is required, to outdoor installations like mobile discos, meetings, conferences... These are situations where a good sound projection is required, as well as high sound pressure level, reliability and a quick staging. The self-amplified Philos 12A unit can be used in a wide range of applications, where simplicity in setting up and use are required.

All models include an effective protection system on the high frequency way against Larsen effect and signal clipping. Connection plates are equipped with XLR3 connectors for audio signal inputs and output. The structure of the enclosure is made of high density plastic, including a grille to protect the bass speaker.

## 4. CHARACTERISTICS

Active independent two way self-amplified acoustic system. A 300W RMS H-Class amplifier uses for the low frequency way and a 100W RMS amplifier, with phase compensator for the high frequency way. A selective active filter with a 24dB/oct slope performs the way separation.

The unit includes an effective protection system to minimize signal clipping, in order to protect the speakers against occasional saturations. A red led "CLIP" indicator warns the user when it occurs.

It also includes a two-channel mixer, that allows connecting to its inputs both MIC and LINE level signals, due to the existence of an input level selector. Each input has a green led "SIGNAL" indicator, showing signal presence.

The unit has an effective three-band tone control at the output of the mixer. An electronically balanced "STACK OUT" output also allows connecting the Philos unit to other self-amplified units or conventional amplifiers.

Concerning acoustic transducers, the unit uses a 12" woofer that can cope with large cone displacements. A compression driver with a 44mm titanium diaphragm is used for the high frequency way.

## 5. QUICK START

### - Placement

Choose a placement with enough audience coverage, and with the minimum number of obstacles between the speaker and the audience. The higher the unit is placed, the greater and better audience coverage will be provided.

As it is a self-amplified unit, it requires a direct connection to a mains socket, as well as to the sound sources that you want to connect. Please, consider all these circumstances.

### - Mains connection

Read WARNINGS in point 2.

Make sure that the mains red switch is in "0" position.

Plug the mains cable's connector in to MAINS input. Connect the plug to a grounded mains socket.

### - Audio connections

The Philos 12A unit allows the direct connection to two different sound sources by means of two electronically balanced XLR3 sockets. These sockets can be set up for both LINE level signals (high level signals such as: MP3 players, CD, keyboards, video, deck players...) with the knob switched, and dynamic MICROPHONES (low level signals) with the knob non-switched. Make sure that the selected position is the appropriated one.

When connecting the Philos unit to a stereo console, select the LINE position and connect each channel to each one of the inputs.

Before connecting the Philos unit to other self-amplified units or amplifiers, make sure that levels selected for the first unit are the correct ones for its stand-alone performance.

### - Power up

Make sure that both volume controls are set in "MIN" position, and that tone controls are set in central position.

Switch on firstly the sound source (MP3 players, CD, keyboards, video, deck players...).

Next, switch on the power switch ("I" position). It should light automatically, as well as the "POWER ON" blue led, indicating that the amplifiers are correctly supplied.

As soon as there is signal at the inputs, even with the volume turned down, the green led "SIGNAL" indicators should light. Next, turn slowly the corresponding volume control until reaching the desired volume level, NO the maximum.

After that, select the desired equalisation and next check the available power margin, making sure that the red "CLIP" indicator DOES NOT light. If this occurred, turn down the level, because the internal amplifiers would be permanently overloaded and the sound would distort.

## 6. USE

### - Placement and Setup

Please consider the following general rules:

Place the acoustic enclosures on solid and firm surfaces. No obstacles should exist between the acoustic enclosures and the audience. In contrast with low frequencies, high frequencies are extremely directive and any obstacle will impair their response. When addressing a large audience, the higher the enclosures are flown, the better long distance sound propagation will be achieved. Given the enclosures characteristics, it's recommended the use of normalised stands (35mm diameter rod) that will be inserted in the so for designed room in the lower side of the enclosure.

The Philos 12A unit is also prepared for performing in the stage in a landscape format, being used as stage monitor.

The unit can be flown using the optional accessory SR 12 or by means of its 10 rigging points (see diagram). These rigging points consist of four embedded nuts in the back of the enclosure and six in the top and the bottom. When using SR 12 fixings, an additional safety cable must be attached.

The units must never be flown from its transportation handles.

### - Mains connection

The Philos 12A unit works at 115/230 ACV 50-60 Hz, having a mains tension selection switch in its rear panel. Make sure that the mains wire is not engaged with the signal wires in order to avoid possible hum.

As a protection against possible mains overloads, the unit includes a T5A 250V 5x20 type fuse. In case the fuse blows, the unit must be disconnected and the fuse would be replaced by another one of the same characteristics. If it blows again, please ask our Technical Service.



**ATTENTION: DO NOT, UNDER ANY CIRCUMSTANCES, SHORT-CIRCUIT THE PROTECTION CIRCUIT OR USE A HIGHER VALUE FUSE.**

**WARNING: Fuse replacement must be done by a technician.**

### - Audio input connections

Audio input connections are electronically balanced, and use XLR3 connectors. The pin assignment is as follows:

Phase or direct signal	>	Pin 2
Non-Phase or inverted signal	>	Pin 3
Ground	>	Pin 1

Depending on the LINE/MIC switch position, the input will hold a different signal level:

### - Line inputs

Their sensibility is -10dBV (316mV). CD players, DAT, MP3, DVD Audio, keyboards, tape recorders, deck players, tuners, as well as signals from other consoles, will be connected to this kind of inputs. Given that, normally, this sound sources are not electronically balanced, extra caution will be required to make sure that pins 1 and 3 are shortcircuited and connected to earth, being pin 2 the carrier of active signal.

- Micro inputs

MICRO input is prepared for a nominal input level of -40dBV (10mV).

Microphones used must be dynamic, with low impedance (from 200 to 600Ω) and monophonic. Usually, this kind of microphones are electronically balanced, but given the less common case of working with a NON- electronically balanced microphone, please shortcircuit pins 1 and 3.

- Audio output connection

It is also electronically balanced and uses a male XLR3 connector. Its nominal level is -10dBV (316mV). This output can be used for chaining the Philos unit to another self-amplified enclosure or to a conventional external amplifier. It can also be used as recording output. It must be beard in mind that the output is affected by volume controls. This implies that high signal levels can exist at the output, which could lead to overload next amplifying stages when chaining different self-amplified enclosures. Please be very careful with signal levels when using this output, and as a general rule avoid excessive gain in tone controls.

- Indicators

“POWER ON” blue led indicates that power amplifiers are correctly supplied.

Each input has a green led “SIGNAL” indicator, that lights when there is a -40dBV signal level at the inputs. These are very useful for checking that the input mixer gets correctly the audio signal from external sound sources.

Finally, “CLIP” indicator warns about power amplifiers overload due to signal excess. In order to avoid distortion and speakers damage, it is very important that this indicator does not act.

- Tone control

The Philos 12A includes an effective three-band Baxandall tone control system, with an actuation margin from -20 to +10dB at each band. Its cut frequencies are 250Hz and 5kHz. The Philos 12A unit does not need excessive equalisations to sound properly. In order to avoid risks, it is recommended to not exceed a ¾ level.

## 7. OTHER CONSIDERATIONS

- Ground loops

It is recommended that all the different sound sources connected to the Philos 12A unit, as well as any device connected to its output, do not have their ground connections shortcircuited (i.e. that they do not have two or more different ground paths). If that occurs hum could appear, interfering in sound quality. If cable shieldings are connected to the chassis, they should be never interconnected, in order to avoid ground loops.

- Audio connections

As a general rule of thumb, make the signal connections as short as possible and use the best connectors and cable available. Cables and connectors are frequently held cheap, forgetting that a bad connection can result in a poor sound quality.

- Background noise

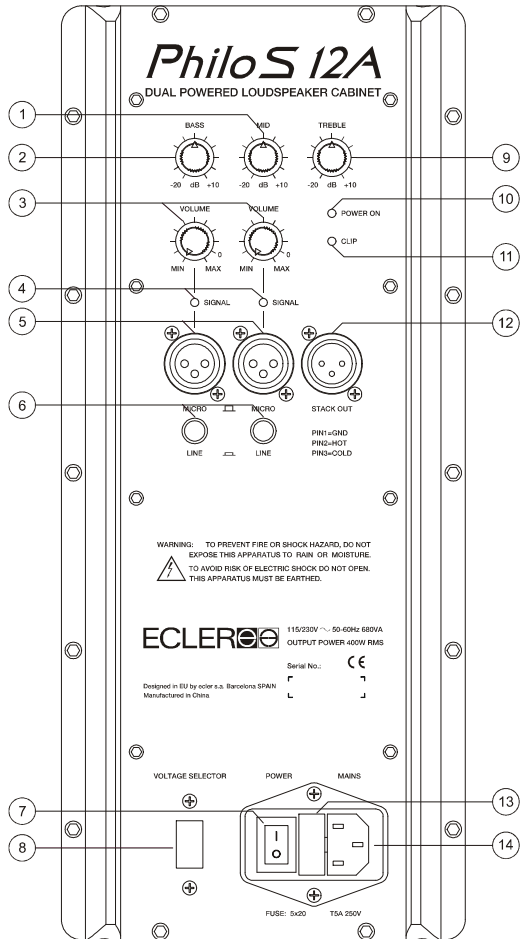
The use of active circuitry can yield, depending on the configuration, with a more or less high background noise level. The PhiloS 12A unit has been designed in order to obtain the lowest background noise. Independently from the electronic conception it was designed with, the background noise level will depend directly on the correct unit use and installation.

- Cleaning

The front panel should not be cleaned with dissolvent or abrasive substances because silk-printing could be damaged. To clean it, use a soft cloth slightly wet with water and neutral liquid soap; dry it with a clean cloth. Be careful that water never gets into the amplifier through the holes of the front panel.

8. FUNCTION DIAGRAM

1. Mid control, MID
2. Bas control, BASS
3. Input attenuator, VOLUME
4. Signal present indicator, SIGNAL
5. Input, MICRO/LINE
6. Input selector
7. On switch, O/I
8. Voltage change, VOLTAGE SELECTOR
9. Treble control, TREBLE
10. Visual indication for power, POWER ON
11. Clip indicator, CLIP
12. XLR output connector to other amplifiers, STACK OUT
13. Fuse holder
14. Mains socket





## MANUAL DE INSTRUCCIONES

1. NOTA IMPORTANTE	10
2. PRECAUCIONES	10
3. INTRODUCCIÓN	10
4. CARACTERÍSTICAS	10
5. INICIO RÁPIDO	11
6. UTILIZACIÓN	12
7. OTRAS CONSIDERACIONES	13
8. DIAGRAMA DE FUNCIONES	14
9. DIAGRAMAS DE EJEMPLOS DE APLICACIÓN Y SUSPENSIÓN	28
10. CARACTERÍSTICAS TÉCNICAS	30
11. DIAGRAMA DE BLOQUES	31

Todos los datos están sujetos a variación debida a tolerancias de producción. ECLER S.A. se reserva el derecho de realizar cambios o mejoras en la fabricación o diseño que pudieran afectar las especificaciones.



## 1. NOTA IMPORTANTE

Enhorabuena. Vd. posee el resultado de un cuidado diseño y de una esmerada fabricación. Agradecemos su confianza por haber elegido nuestra caja acústica auto-amplificada de la serie PHILLOS.

Para conseguir la máxima operatividad y su máximo rendimiento, es MUY IMPORTANTE antes de su conexión, leer detenidamente y tener muy presentes las consideraciones que en este manual se especifican. Para garantizar el óptimo funcionamiento, recomendamos que su mantenimiento sea llevado a cabo por nuestros Servicios Técnicos autorizados.

## 2. PRECAUCIONES



No existen partes ajustables por el usuario en el interior de este equipo.

No utilice este aparato cerca del agua. No exponga los equipos a salpicaduras, evite colocar recipientes que contengan líquidos sobre ellos.

Evite colocar los equipos cerca de fuentes de calor, focos o estufas.

Utilizar únicamente los accesorios especificados por el fabricante. En ningún caso deben suspenderse los equipos utilizando sus asas de transporte, utilice los accesorios adecuados a cada cometido.

Para una protección eficaz contra el riesgo de incendio, reemplace el fusible únicamente con otro del mismo tipo tal y como se indica en la cubierta de la unidad.

Conserve estas instrucciones y respete las advertencias en ellas realizadas.

Desconecte el aparato en caso de tormentas eléctricas o cuando no se vaya a utilizar durante largos períodos de tiempo.

## 3. INTRODUCCIÓN

Diseñadas para cubrir una amplia variedad de aplicaciones: desde salas de conferencia donde se requiere una gran inteligibilidad a aplicaciones en exteriores como carpas o disco móviles, mítines, presentaciones... Estas son situaciones en las que es necesaria una buena proyección de sonido, alto nivel de presión sonora, fiabilidad de comportamiento y rápida puesta en escena. La Phillos 12A auto-amplificada se adapta a un amplio abanico de aplicaciones en las que la simplicidad de montaje y simplicidad en la utilización es un requisito.

Todos los modelos incorporan un eficaz sistema de protección de la vía de agudos contra efecto Larsen o recortes de señal. Las placas de conexión están equipadas con conectores XLR3 para las entradas y salida de señales de audio. Su estructura está realizada en plástico de alta densidad con protección del altavoz de graves mediante rejilla.

## 4. CARACTERÍSTICAS

Sistema acústico auto-amplificado de dos vías activas independientes. Emplea un amplificador clase H de 300W RMS para la vía graves-medios y un amplificador de 100W RMS con compensador de fase para la vía de agudos. Un selectivo filtro activo con una pendiente de 24dB/oct se encarga de realizar la separación de vías.

Dispone de un eficaz sistema de protección para minimizar el recorte de señal "CLIP" protegiendo así los altavoces frente a saturaciones ocasionales. Un indicador led rojo marcado "CLIP" se encarga de advertir al usuario que ello ocurre.

Incorpora un mezclador de dos canales pudiéndose conectar a cada una de sus entradas señales de nivel de MICRO o LÍNEA dada la existencia de un selector del nivel de entrada. Cada entrada lleva asociada un indicador led verde de presencia de señal "SIGNAL".

La unidad dispone de un eficaz control de tonos de 3 bandas a la salida del mezclador. Además una salida "STACK OUT" balanceada permite conectar la Philos a otras unidades auto-amplificadas o amplificadores convencionales.

En cuanto a transductores acústicos utiliza un altavoz de 12" para graves-medios capaz de soportar amplios desplazamientos. Para los agudos se emplea un motor a compresión con diafragma de titanio de 44mm.

## 5. INICIO RÁPIDO

### - Ubicación

Elija un lugar que cubra la audiencia y en el que existan el menor número de obstáculos entre ésta y el altavoz. Contra más elevado coloque el altavoz mayor y mejor será la cobertura de la audiencia.

Al tratarse de un recinto auto-amplificado éste requiere conexión directa a una toma de red y a las fuentes de sonido que se desee conectar, prevea tal circunstancia.

### - Conexión a la red

Lea las PRECAUCIONES del apartado 2.

Asegúrese de que el interruptor rojo de red esta en posición "0".

Inserte el conector del cable de red en la entrada MAINS, conecte la clavija a una toma de red con tierra.

### - Conexiones de audio

La Philos 12A permite la conexión directa a dos fuentes de sonido mediante sendas tomas balanceadas tipo XLR3. Estas tomas pueden configurarse para recibir señales de nivel de LINEA, alto nivel (Reproductores MP3, CD, teclados, vídeos, cassetes...) botón pulsado o bien MICROS dinámicos, bajo nivel, botón sin pulsar. Asegúrese de que la posición seleccionada es la correcta.

En el caso de conectar la Philos a una mesa de mezclas estéreo seleccione la posición LINE y conecte cada canal a cada una de las entradas.

Si debe conectar la Philos a otras cajas auto-amplificadas o amplificadores no lo haga hasta asegurarse de que los niveles de la caja inicial son los adecuados funcionando de forma aislada.

### - Puesta en marcha

Asegúrese de que ambos controles de volumen se encuentran en posición "MIN" y los controles de tono en posición central.

Encienda en primer lugar la fuente generadora de señal (Reproductores MP3, CD, teclados, vídeos, cassette...)

Active a continuación el interruptor de red, posición "I" automáticamente éste debe iluminarse así como el led azul "POWER ON" indicando que los amplificadores están correctamente alimentados.

Tan pronto como las entradas reciban señal, incluso con el volumen cerrado, deben iluminarse los indicadores led de color verde "SIGNAL". Gire a continuación lentamente el control de volumen correspondiente hasta alcanzar el volumen deseado, NO máximo.

Actúe a continuación sobre la ecualización y acto seguido compruebe la reserva que dispone de potencia siempre procurando que el indicador rojo "CLIP" NO se ilumine, de ocurrir esto reduzca el nivel ya que los amplificadores internos están siendo saturados de forma permanente y el sonido distorsiona.

## 6. UTILIZACIÓN

### - Ubicación y montaje

Como reglas generales se observarán las siguientes:

Colocar o suspender las cajas acústicas en superficies sólidas y firmes. No debe existir ningún obstáculo entre los recintos acústicos y la audiencia. Las frecuencias agudas, a diferencia de las graves son extremadamente directivas y cualquier obstáculo supone una atenuación en su respuesta. Para grandes audiencias se obtendrá una mejor propagación del sonido en la distancia contra más elevemos las cajas, siendo recomendable dadas sus características la utilización de trípodes normalizados (vástago de 35 mm de diámetro) que se insertarán en el alojamiento especialmente destinado a tal efecto en la cara inferior de la caja.

La Philos 12A está asimismo preparada para funcionar en el suelo en modo apaisado y utilizarse como monitor de escenario.

También pueden suspenderse con el accesorio opcional SR 12 o mediante sus 10 puntos de anclaje (ver diagrama). Estos puntos de anclaje consisten en 4 tuercas empotradas en el posterior y 6 en la parte superior e inferior. Cuando se utilicen los anclajes SR 12 colocar un cable de seguridad adicional.

En ningún caso deben suspenderse los equipos utilizando sus asas de transporte.

### - Conexión a red

La Philos 12A funciona a 115/230VAC 50-60Hz disponiendo en su panel posterior de un conmutador de selección de la tensión de red. Asegúrese de que el cable de red no se encuentre mezclado con los cables de señal para evitar zumbidos.

Para proteger el sistema de eventuales sobrecargas en la línea de red existe un fusible de red de tipo T5A 250V 5x20. En caso de que éste se fundiera se desconectaría el aparato y se sustituiría por otro de idénticas características. Si éste último se volviera a fundir, consulte con nuestro Servicio Técnico.



**ATENCIÓN: EN NINGÚN CASO DEBE CORTOCIRCUITAR EL CIRCUITO DE PROTECCIÓN O PONER UN FUSIBLE DE VALOR MÁS ELEVADO.**

**ADVERTENCIA:** La sustitución del fusible debe ser realizada por un técnico.

### - Conexiones de entrada de audio

Son del tipo balanceado y se realizan mediante conectores del tipo XLR3 tal y como se indica:

Vivo o señal directa	>	Terminal 2
Frío o señal invertida	>	Terminal 3
Masa	>	Terminal 1

Dependiendo de la posición en la que se encuentre el interruptor LINE / MICRO la entrada admitirá señales de uno u otro nivel:

### - Entradas de Línea:

Su sensibilidad es de -10dBV (316mV). Reproductores CD, DAT, MP3, DVD Audio, teclados, magnetófonos, cassettes, sintonizadores, así como la señal procedente de otras mesas de mezcla se conectarán a este tipo entradas. Dado que normalmente estas fuentes de señal no son del tipo balanceado se deberá tener la precaución de que los terminales 1 y 3 estén cortocircuitados y conectados a tierra, siendo el terminal 2 el de la señal activa.

- Entradas de Micrófono:

La entrada de MICRO, está preparada para un nivel nominal de entrada de -40dBV (10mV).

Los micrófonos deben ser dinámicos de baja impedancia (de 200 a 600 $\Omega$ ) y monofónicos. Normalmente este tipo de micrófonos son balanceados pero en el caso, poco habitual, de disponer de un micrófono NO balanceado cortocircuitar asimismo los terminales 1 y 3.

- Conexión de salida de audio

Es asimismo del tipo balanceado y mediante conector XLR3 macho, su nivel nominal es -10dBV (316mV). Esta salida puede utilizarse para encadenar la Philos a otra caja auto-amplificada o bien a un amplificador exterior convencional. También puede utilizarse como salida de grabación. Debe tenerse muy presente que esta salida está afectada por los controles de volumen pudiendo existir pues en ella niveles importantes de señal que en el caso de encadenar sucesivas cajas auto-amplificadas podrían llegar a saturar etapas posteriores de amplificación. Sea muy cuidadoso con los niveles al utilizar esta salida y como norma general no abuse de los tonos.

- Indicadores

El led de color azul "POWER ON" nos indica que los amplificadores de potencia están correctamente alimentados.

Cada una de las entradas dispone de sendos indicadores de presencia de señal "SIGNAL", estos indicadores se iluminan cuando en las entradas existe un nivel de señal de -40dBV y son de gran utilidad para comprobar que el mezclador de entrada recibe correctamente la señal de audio que proviene de las fuentes exteriores de señal.

Finalmente el indicador "CLIP" nos advierte de la saturación de los amplificadores de potencia por un exceso de señal. Es muy importante para evitar la distorsión y preservar a los altavoces de roturas que este indicador se encuentre apagado.

- Control de tonos

La Philos 12A equipa un eficaz sistema de control de tonos de tres bandas tipo Baxandall con un margen de actuación de -20 a +10dB en cada una de ellas. Sus frecuencias de corte son 250Hz y 5kHz. La Philos 12A no necesita ecualizaciones forzadas para sonar adecuadamente. Para evitar riesgos recomendamos no sobrepasar el nivel de  $\frac{3}{4}$ .

## 7. OTRAS CONSIDERACIONES

- Bucles de masa

Procuraremos en todo momento que todas las fuentes de señal que lleguen a la Philos 12A, así como todos los aparatos que estén conectados a su salida, no tengan las masas interconectadas, es decir, que nunca les llegue masa por dos o más caminos distintos, ya que de esta manera se podrían producir zumbidos que llegarían incluso a interferir la calidad de la reproducción sonora. Los blindajes de los cables, de estar conectados a chasis, en ningún momento deben estar unidos entre sí, de esta forma evitaremos la formación de bucles de masa.

- Conexiones de audio

Como norma general deberemos procurar que las conexiones de señal sean lo más cortas posible, asimismo emplearemos conectores y cables de la mejor calidad. Normalmente a los cables y conectores no se les presta el interés merecido. En muchas ocasiones y debido a una mala conexión o por el uso de cables de baja calidad, pueden aparecer importantes problemas en la reproducción sonora.

- Ruido de fondo

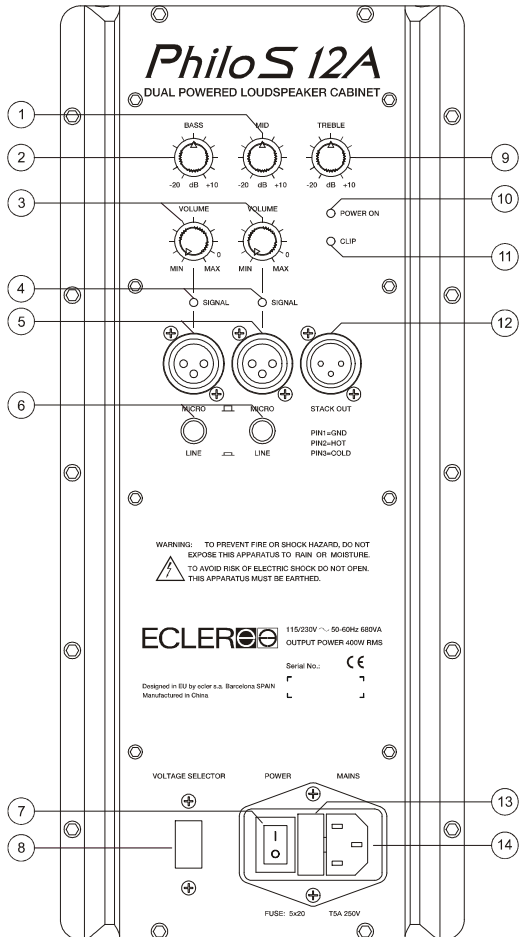
El empleo de circuitería activa puede aportar, según configuración, un nivel de ruido de fondo más o menos elevado. La PhiloS 12A ha sido concebida para obtener el menor ruido de fondo posible. Independientemente de la concepción electrónica con que se haya realizado, el nivel de ruido dependerá directamente de la correcta utilización e instalación.

- Limpieza

La carátula no deberá limpiarse con sustancias disolventes o abrasivas puesto que se corre el riesgo de deteriorar la serigrafía. Para su limpieza se utilizará un trapo humedecido con agua y un detergente líquido neutro, secándola a continuación con un paño limpio. En ningún caso se debe permitir la entrada de agua por cualquiera de los orificios del aparato.

8. DIAGRAMA DE FUNCIONES

1. Control de frecuencias medias, MID
2. Control de frecuencias graves, BASS
3. Atenuador de entrada, VOLUME
4. Indicador luminoso de presencia de señal, SIGNAL
5. Entrada, MICRO/LINE
6. Selector de entrada
7. Interruptor de puesta en marcha, O/I
8. Cambio de tensión, VOLTAGE SELECTOR
9. Control de frecuencias agudas, TREBLE
10. Indicador luminoso de puesta en marcha, POWER ON
11. Indicador luminoso de recorte, CLIP
12. Conector XLR de salida para conexión en cadena, STACK OUT
13. Portafusibles
14. Base de red



## NOTICE D'UTILISATION

1. NOTE IMPORTANTE	16
2. PRÉCAUTIONS	16
3. INTRODUCTION	16
4. CARACTERISTIQUES	16
5. PRISE EN MAIN	17
6. UTILISATION	18
7. AUTRES CONSIDERATIONS	19
8. SCHÉMA DE FONCTIONNEMENT	20
9. SCHEMAS D'EXEMPLES D'APPLICATION ET D'ACCROCHAGE	28
10. CARACTÉRISTIQUES TECHNIQUES	30
11. BLOCS DE DIAGRAMMES	31

Toutes les valeurs mentionnées dans ce document sont susceptibles d'être modifiées en raison des tolérances de production. ECLER SA se réserve le droit de changer ou d'améliorer les processus de fabrication ou la présentation de ses produits, occasionnant ainsi des modifications dans les spécifications techniques.



## 1. NOTE IMPORTANTE

Félicitations. Votre acquisition est le fruit d'une conception soignée et d'une fabrication experte. Nous vous remercions de la confiance que vous nous témoignez par le choix de notre enceinte acoustique de la gamme PHILOS.

Pour exploiter au mieux toutes les fonctionnalités et obtenir un rendement maximal, il est TRÈS IMPORTANT de lire attentivement et de suivre les recommandations de ce manuel avant toute connexion. Pour garantir un fonctionnement optimal, nous recommandons que toute maintenance soit effectuée par nos services techniques agréés.

## 2. PRÉCAUTIONS



Aucune pièce n'est réglable par l'utilisateur à l'intérieur de cet équipement.

N'utilisez pas cet équipement avec de l'eau à proximité. Ne l'exposez pas à des projections et évitez de placer dessus des récipients qui contiennent des liquides.

Évitez de le placer près de sources de chaleur, foyers ou poêles.

N'utilisez que les accessoires spécifiés par le fabricant. En aucun cas les équipements ne doivent être suspendus par leurs poignées de transport, utilisez les accessoires adaptés à chaque affectation.

Pour une protection efficace contre le risque d'incendie, ne remplacez le fusible que par un autre du même type, indiqué sur l'unité.

Conservez ces instructions et respectez les avertissements qui s'y trouvent.

Déconnectez l'appareil en cas d'orage ou de non utilisation prolongée.

## 3. INTRODUCTION

Conçues pour couvrir une vaste variété d'applications : des salles de conférence où une grande intelligibilité est demandée aux applications en extérieur comme chapiteaux ou discos mobiles, meetings, présentations... Ce sont des situations où une bonne projection du son, un haut niveau de pression sonore, une fiabilité de comportement et une mise en route rapide sont nécessaires. La Philos 12A amplifiée s'adapte à un vaste éventail d'applications dans lesquelles la simplicité de montage et d'utilisation est essentielle.

Tous les modèles intègrent un efficace système de protection de la voie des aigus contre les effets "Larsen" ou l'écrêtage du signal. Les plaques de connexion sont équipées de connecteurs XLR3 pour les entrées et la sortie des signaux audio. La structure est en résine plastique de haute densité avec grille de protection du haut-parleur.

## 4. CARACTERISTIQUES

Enceinte acoustique amplifiée à deux voies actives indépendantes. Emploie un amplificateur de classe H de 300W RMS pour les médiums-graves et un amplificateur de 100W RMS avec compensateur de phase pour les aigus. Un filtre répartiteur actif avec une pente de 24dB/oct. se charge d'effectuer la séparation des voies.

Elle dispose d'un système de protection efficace pour minimiser l'écrêtage de signal "CLIP", protégeant ainsi les haut-parleurs des saturations occasionnelles. Une diode rouge nommée "CLIP" prévient l'utilisateur quand cela se produit.



Elle comprend un mélangeur deux canaux et on peut brancher à chacune de ses entrées des signaux de niveau MICRO ou LIGNE grâce à l'existence d'un sélecteur de niveau d'entrée. Chaque entrée est associée à une diode témoin verte signalant la présence d'un signal "SIGNAL".

L'unité dispose de commandes de tonalité à 3 bandes efficaces en sortie de mélangeur. En outre, une sortie de renvoi "STACK OUT" symétrique permet de relier la Philos à d'autres unités amplifiées ou à des amplificateurs conventionnels. Comme transducteurs acoustiques, elle utilise pour les médiums-graves un haut-parleur de 12" capable de supporter de grands déplacements. Pour les aigus, elle emploie un moteur à compression avec diaphragme en titane de 44 mm.

## 5. PRISE EN MAIN

### - Positionnement

Choisissez une position qui couvre le public et avec le moins d'obstacles entre ce dernier et l'enceinte. Plus haute sera l'enceinte et plus grande et meilleure sera la couverture de l'auditoire.

L'enceinte étant amplifiée, elle nécessite une connexion directe à une prise secteur et aux sources sonores à brancher. Prévoyez donc cela.

### - Connexion électrique

Lisez les PRÉCAUTIONS du paragraphe 2.

Vérifiez que l'interrupteur d'alimentation rouge est en position "0".

Insérez le connecteur du câble d'alimentation dans l'entrée MAINS, branchez l'autre extrémité à une prise électrique avec terre.

### - Connexions audio

La Philos 12A permet la connexion directe de deux sources de son au moyen de prises symétriques de type XLR3. Ces prises peuvent être réglées pour recevoir des signaux de niveau LIGNE, de haut niveau (lecteurs MP3, CD, claviers, vidéos, cassettes...) quand le bouton est poussé ou bien de MICROS dynamiques, de bas niveau, quand le bouton est relevé. Vérifiez que la position choisie est correcte.

Au cas où la Philos est branchée à une table de mixage stéréo, choisissez la position "ligne" (LINE) et branchez chaque canal à chacune des entrées.

Si vous devez brancher la Philos à d'autres enceintes amplifiées ou à des amplificateurs, ne le faites qu'après avoir vérifié que les niveaux de l'enceinte initiale sont adéquats pour un fonctionnement isolé.

### - Mise en marche

Vérifiez que les deux commandes de volume se trouvent en position "MIN" et que les commandes de tonalité sont en position centrale.

Allumez d'abord la source du signal (lecteurs MP3, CD, claviers, vidéos, cassette...)

Activez ensuite l'interrupteur d'alimentation, qui doit automatiquement s'allumer en position "I" ainsi que la diode témoin bleue "POWER ON" quand les amplificateurs sont correctement alimentés.

Dès que les entrées reçoivent du signal, même avec le volume coupé, les diodes témoins "SIGNAL" de couleur verte doivent s'allumer. Tournez ensuite lentement la commande de volume correspondante jusqu'à obtention du volume souhaité, PAS au maximum.

Agissez ensuite sur l'égaliseur et tout de suite après, vérifiez la réserve de puissance toujours disponible sans pour autant allumer l'indicateur rouge "CLIP". Si ce dernier s'allume, réduisez le niveau car les amplificateurs internes sont saturés de façon permanente et le son souffre alors de distorsion.

## 6. UTILISATION

### - Positionnement et montage

Observez les règles générales suivantes:

Placez ou suspendez les enceintes sur/à des surfaces solides et fermes. Il ne doit y avoir aucun obstacle entre les enceintes acoustiques et l'auditoire. Les fréquences aiguës, contrairement aux graves, sont extrêmement directrices et tout obstacle entraîne une atténuation de leur réponse. Pour de grands auditoires, on obtiendra une meilleure propagation du son sur la distance en surélevant les enceintes, l'utilisation de trépieds normalisés étant recommandée (tubulure de 35 mm de diamètre) qui s'inséreront dans l'embase spécialement destinée à cet effet en face inférieure de l'enceinte.

La Philo 12A est aussi prévue pour fonctionner au sol à l'horizontale et servir de retour de scène.

On peut aussi la suspendre avec la fixation optionnelle SR 12 ou au moyen de ses 10 points d'ancrage (voir schéma). Ces points d'ancrage sont 4 filetages encastrés à l'arrière et 6 en parties supérieure et inférieure. Si vous utilisez les fixations SR 12, installez une élingue de sécurité supplémentaire.

Ces équipements ne doivent en aucun cas être suspendus par leurs poignées de transport.

### - Connexion électrique

La Philo 12A fonctionne en CA 115/230 V, 50-60Hz, son panneau postérieur disposant d'un sélecteur de tension d'alimentation. Assurez-vous que le câble d'alimentation ne soit pas mêlé aux câbles de signal pour éviter des ronflements.

Pour protéger le système de surtensions éventuelles sur le secteur, il existe un fusible électrique de type T5A 250V 5x20. Au cas où celui-ci fondrait, débranchez l'appareil et remplacez le fusible par un modèle de caractéristiques identiques. Si celui-ci fond à nouveau, consultez notre service technique.

**ATTENTION : EN AUCUN CAS VOUS NE DEVEZ COURT-CIRCUITER LE CIRCUIT DE PROTECTION OU METTRE UN FUSIBLE DE VALEUR PLUS IMPORTANTE.**



**AVERTISSEMENT : Le remplacement du fusible doit être effectué par un technicien.**

### - Connexions d'entrée audio

Elles sont de type symétrique et s'effectuent au moyen de connecteurs du type XLR3 câblés comme suit :

Point chaud ou signal direct	>	Broche 2
Point froid ou signal inversé	>	Broche 3
Masse	>	Broche 1

Suivant la position de l'interrupteur LINE/MICRO, l'entrée admettra des signaux de l'un ou de l'autre niveau :

### - Entrées ligne:

Leur sensibilité est de -10dBV (316mV). Des lecteurs CD, DAT, MP3, DVD Audio, claviers, magnétophones, cassettes, syntoniseurs, ainsi que les signaux d'autres tables de mixage peuvent être branchés à ces types d'entrée. Puisque normalement ces sources de signal ne sont pas de type symétrique, il faudra par précaution que les broches 1 et 3 soient court-circuitées et reliées à la terre, la broche 2 étant celle du signal actif.

- Entrées microphone:

Une entrée MICRO est prévue pour un niveau nominal d'entrée de -40dBV (10mV).

Les microphones doivent être dynamiques, de basse impédance (de 200 à 600Ω) et monophoniques. Ce type de microphone est normalement symétrique mais dans le cas, peu habituel, d'un microphone NON symétrique, court-circuitez pareillement les broches 1 et 3.

- Connexion de sortie audio

Elle est aussi de type symétrique sur connecteur XLR3 mâle, et son niveau nominal est de -10dBV (316mV). Cette sortie peut être utilisée pour enchaîner la Philos à une autre enceinte amplifiée ou bien à un amplificateur externe conventionnel. Elle peut aussi être utilisée comme sortie d'enregistrement. Il faut se rappeler que cette sortie est affectée par les commandes de volume et qu'elle peut donc produire des niveaux élevés de signal qui, dans le cas d'enceintes amplifiées enchaînées à la suite, peuvent saturer les étages d'amplification suivants. Soyez très attentifs aux niveaux lors de l'utilisation de cette sortie et, de façon générale, n'abusez pas des corrections tonales.

- Indicateurs

La diode de couleur bleue "POWER ON" indique que les amplificateurs de puissance sont correctement alimentés.

Chacune des entrées dispose d'un indicateur de présence de signal "SIGNAL". Ces indicateurs s'allument quand les entrées reçoivent un niveau de signal de -40dBV et sont d'une grande utilité pour vérifier que le mélangeur d'entrées reçoit correctement le signal audio qui provient des sources de signal externes.

Enfin, l'indicateur "CLIP" avertit de la saturation des amplificateurs de puissance suite à un signal excessif. Il est très important, pour éviter la distorsion et préserver les haut-parleurs de tout écrêtage, que cet indicateur soit éteint.

- Commandes de tonalité

La Philos 12A est équipée d'un efficace système de commandes de tonalité à trois bandes de type Baxandall avec une plage d'action de -20 à +10dB pour chacune d'elles. Ses fréquences de coupure sont 250Hz et 5kHz. La Philos 12A n'a pas besoin de corrections forcées pour sonner de façon adéquate. Pour éviter tout risque, nous vous recommandons de ne pas dépasser le niveau ¾.

## 7. AUTRES CONSIDERATIONS

- Boucles de masse

Il faut constamment veiller à ce que toutes les sources de signal qui arrivent à la Philos 12A ainsi que tous les appareils qui sont reliés à sa sortie n'aient pas leurs masses interconnectées, c'est-à-dire que jamais une masse ne doit passer par plusieurs chemins différents, car cela pourrait produire des ronflements qui dégraderaient la qualité de la reproduction sonore. Les blindages des câbles, reliés au châssis, ne doivent à aucun moment être réunis, ainsi vous éviterez la formation de boucles de masse.

- Branchement audio

D'une manière générale, s'assurer que les connexions des sources soient les plus courtes possibles et que l'on ait employé des câbles et des connecteurs d'excellentes qualités. Bien souvent, on ne prête pas assez d'intérêt à la qualité du câble et de sa connexion alors que des problèmes de ronflement pourraient être évités.

- Bruit de fond

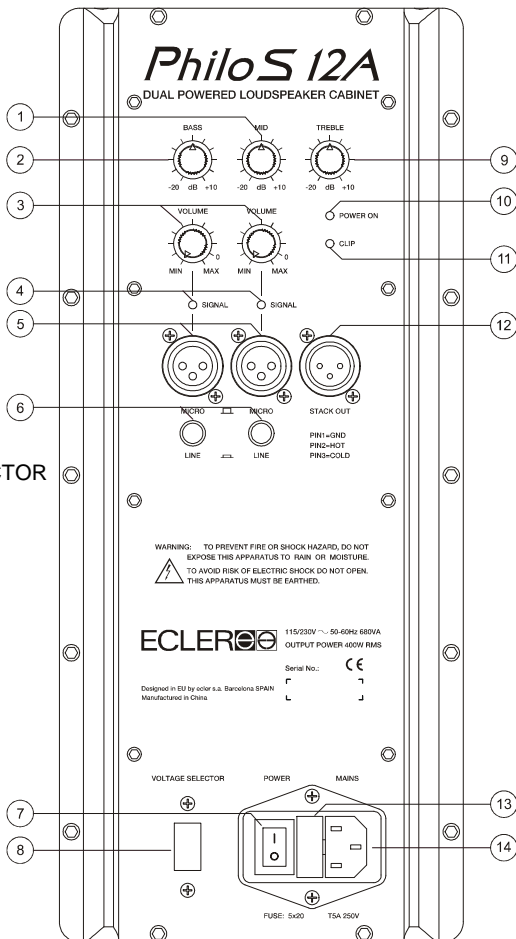
L'emploi d'un circuit actif peut apporter, selon la configuration, un niveau de bruit de fond plus ou moins important. La PhiloS 12A a été conçue pour donner le plus petit bruit de fond possible. Indépendamment de sa conception électronique, le niveau de bruit dépendra directement de l'utilisation et de l'installation correctes.

- Entretien

Il est interdit d'utiliser des substances dissolvantes ou abrasives pour nettoyer la face avant, celles-ci détériorant la sérigraphie. Nettoyer uniquement avec un chiffon humide. Attention! Jamais de l'eau ou tout autre liquide ne doit pénétrer par les orifices du panneau de commande.

8. SCHÉMA DE FONCTIONNEMENT

1. Contrôle des médiums, MID
2. Contrôle des graves, BASS
3. Atténuateur d'entrée, VOLUME
4. Indicateur de présence du signal, SIGNAL
5. Entrée, MICRO/LINE
6. Sélecteur d'entrées
7. Interrupteur de mise en marche, O/I
8. Changement de tension, VOLTAGE SELECTOR
9. Contrôle des aigus, TREBLE
10. Indicateur lumineux de mise en marche, POWER ON
11. Voyant d'écrêtage, CLIP
12. Embases de sortie du signal pour autres amplis, STACK OUT
13. Porte fusible
14. Embase prise secteur



## BEDIENUNGSANLEITUNG

1. WICHTIGE VORBEMERKUNG	22
2. SICHERHEITSMASSNAHMEN	22
3. EINLEITUNG	22
4. EIGENSCHAFTEN	22
5. KURZANLEITUNG	23
6. ANWENDUNG	24
7. WEITERE HINWEISE	25
8. ANSCHLÜSSE UND BEDIENELEMENTE	27
9. BEISPIELE FÜR ANWENDUNG UND AUFHÄNGUNG	28
10. TECHNISCHE DATEN	30
11. SCHALTBILD	31

Alle Angaben sind ohne Gewähr. Messwerte können produktionsbedingten Schwankungen unterliegen. ECLER S.A. nimmt sich das Recht heraus Veränderungen am Gerät vorzunehmen, die zur Verbesserung des Produktes beitragen.



## 1. WICHTIGE VORBEMERKUNG

Herzlichen Glückwunsch! Sie besitzen hiermit ein hochwertiges Gerät als Ergebnis eines hohen Entwicklungsaufwandes und sorgfältiger Fertigungsplanung. Wir danken Ihnen für das Vertrauen, daß Sie sich für unsere PHILOS Lautsprecherboxen entschieden haben.

Um die maximale Leistung und eine zuverlässige Funktion zu erreichen, ist es sehr WICHTIG, vor dem Anschluß der Boxen alle Ausführungen in dieser Bedienungsanleitung genau zu lesen. Eventuelle Reparaturen sollten nur von unserer technischen Service Abteilung durchgeführt werden, um einen optimalen Betrieb sicherzustellen.

## 2. SICHERHEITSMASSNAHMEN



Im Inneren des Gerätes befinden sich keine für den Benutzer gedachte Bedienelemente.

Es darf kein Regen oder andere Flüssigkeiten in das Gerät gelangen. Stellen Sie niemals Flüssigkeitsbehälter auf die Gerätoberfläche.

Halten Sie das Gerät von Hitzequellen wie Heizgeräte oder Scheinwerfer fern.

Es sind ausschliesslich die vom Hersteller angegebenen Zubehörteile zu verwenden. In keinem Fall ist das Gerät an den Transportösen aufzuhängen. Benutzen Sie für jedes Vorhaben das geeignete Zubehör.

Für einen effektiven Brandschutz sollte die Sicherung ausschliesslich durch eine Sicherung des gleichen Typs ersetzt werden, so wie in der Abdeckung des Geräts angegeben.

Bewahren Sie diese Anleitung gut auf und beachten Sie die darin enthaltenen Warnungen.

Trennen Sie den Apparat von der Stromversorgung im Fall von Gewitter oder wenn er lange Zeit nicht verwendet wird.

## 3. EINLEITUNG

Entwickelt für eine grosse Anzahl verschiedener Anwendungen: von Konferenzsälen, in denen die Verständlichkeit an erster Stelle steht, bis hin zu Anwendungen im Freien wie Zelte oder mobile Discotheken, Versammlungen, Präsentationen, ... In all diesen Situationen sind eine gute Beschallung, hoher Schallpegeldruck, zuverlässiges Verhalten und schnelle Inbetriebnahme notwendig. Der selbstverstärkte Philos 12A passt sich an eine breit gefächerte Reihe von Anwendungen an, bei denen einfacher Aufbau und einfache Handhabung die Voraussetzungen sind.

Alle Modelle besitzen ein effizientes Schutzsystem der Höhenweiche gegen den Larseneffekt und Signalverzerrungen. Die Anschlussafeln sind mit XLR3 Anschlüssen für Ein- und Ausgang des Audiosignals ausgerüstet. Die Struktur ist aus hochdichtem Kunststoff gefertigt und besitzt ein Gitter zum Schutz des Tieftöners.

## 4. EIGENSCHAFTEN

Eigenverstärktes Beschallungssystem mit zwei voneinander unabhängigen Weichen. Verwendet einen Klasse H Verstärker mit 300W RMS für die Mitten- und Tiefenweiche und einen 100W RMS Verstärker mit Phasenkompensierer für die Höhenweiche. Ein aktiver Filter mit 24dB/Oktave Flankensteilheit sorgt für die Trennung der Weichen.

Es verfügt über eine effiziente Schutzschaltung gegen das Clipping, um die Lautsprecher gegen eventuelles Übersteuern zu schützen. Ein rotes, als "CLIP" gekennzeichnetes LED warnt den Benutzer wenn die Schaltung aktiv ist.

Das System beinhaltet einen Zweikanalmischer, der dank eines Eingangspegelwahlschalters das Anschliessen von Mikrofon- und Liniensignalen ermöglicht. Jeder Eingang verfügt über ein grünes, als "SIGNAL" gekennzeichnetes LED, welches die Anwesenheit eines Audiosignals anzeigt.

Das Gerät verfügt über einen leistungsfähigen 3-Band-Equalizer am Ausgang des Mixers. Ferner ermöglicht es der symmetrische "STACK OUT" Ausgang, das Philos-System an andere eigenverstärkte Einheiten oder an gewöhnliche Verstärker anzuschliessen.

Was die Lautsprecher betrifft, benutzt das System einen 12" Mittel- und Tieftöner, der zu beträchtlichen Auslenkungen in der Lage ist. Für die Höhen steht ein Kompressionstreiber mit 44mm Titaniummembrane zur Verfügung.

## 5. KURZANLEITUNG

### - Aufstellungsort

Wählen Sie den Ort so aus, dass die Zuhörerschaft komplett abgedeckt ist und dass sich möglichst keine Hindernisse zwischen Lautsprecher und Publikum befinden. Je höher Sie den Lautsprecher anbringen, desto kompletter und besser ist die Zuhörerschaft abgedeckt.

Da es sich um ein eigenverstärktes Beschallungssystem handelt, ist neben dem direkten Anschluss an die Tonquelle auch ein direkter Anschluss an die Stromversorgung notwendig, der zu berücksichtigen ist.

### - Anschluss an das Netzanschluss

Lesen Sie die SICHERHEITSHINWEISE aus Kapitel 2.

Stellen Sie sicher, dass sich der rote Netzschalter in der Position "0" befindet.

Schliessen Sie das Netzkabel an den Eingang "MAINS" an. Benutzen Sie eine geerdete Steckdose.

### - Anschlussmöglichkeiten von Audiosignalen

Das Philos 12A erlaubt das Anschliessen zweier Tonquellen mittels symmetrischer XLR3 Buchsen. Es können sowohl Signale mit hohem Linienpegel (MP3 Player, CD, Keyboard, Video, Kassette, ..), wozu sich der Schalter in gedrückter Stellung befinden muss, wie auch Signale mit niedrigem Mikrofonpegel, der Schalter muss sich hierzu in nicht gedrückter Stellung befinden, angeschlossen werden. Vergewissern Sie sich, dass der Schalter sich in der richtigen Position befindet.

Wenn das Philos System an ein Stereomischpult angeschlossen werden soll, wählen Sie die Einstellung "LINE" und schliessen Sie jeden Kanal an jeweils einen der Eingänge an.

Wenn Sie Philos an andere eigenverstärkte Systeme oder Verstärker anschliessen müssen, so sollten Sie vorher sicherstellen, dass die Pegel des ersten Verstärkungssystems im individuellen Betrieb die geeigneten sind.

### - Inbetriebnahme

Stellen Sie sicher, dass sich die Lautstärkenregelung in der Position "MIN" und die Tonregelung in neutraler Position befindet.

Schalten Sie zuerst die Signalquelle ein (MP3 Player, CD, Keyboard, Video, Kassette, ...)

Bewegen Sie den Netzschalter auf die Position "I", der gleich darauf aufleuchten muss, ebenso wie das blaue, als "POWER ON" gekennzeichnete LED, welches die korrekte Stromversorgung der Verstärker anzeigt.

Sobald ein Signal an den Eingängen anliegt, müssen die grünen, als "SIGNAL" gekennzeichneten LEDs aufleuchten, auch wenn die Lautstärke noch nicht aufgedreht ist. Drehen Sie nun langsam den Lautstärkereglern auf, bis die gewünschte Lautstärke erreicht ist, OHNE jedoch auf maximale Lautstärke zu gehen.

Stellen Sie nun den Equalizer ein und achten Sie darauf, dass die rote "CLIP" Anzeige nicht aufleuchtet. Falls diese doch aufleuchten sollte, müssen Sie den Pegel mindern, da die internen Verstärker permanent übersteuert werden und der Ton verzerrt wird.

## 6. ANWENDUNG

### - Aufbau und Aufstellungsort

Folgende allgemein gültigen Regeln sind zu beachten:

Das Aufstellen oder Aufhängen der Lautsprecher sollte nur auf bzw. an festen und widerstandsfähigen Oberflächen geschehen. Es sollte sich kein Hindernis zwischen Lautsprecher und Publikum befinden. Hohe Frequenzen sind, im Gegensatz zu niedrigen Frequenzen, äusserst direktiv, wodurch jedes Hindernis eine Verminderung des Schallpegels zur Folge hat. Bei grossem Publikum ist die Beschallung auf grössere Entfernungen um so besser, je höher die Lautsprecher angebracht werden, wobei, unter Berücksichtigung ihrer Eigenschaften, die Verwendung von Standardstativen (Schaft mit 35mm Durchmesser) zu empfehlen ist. Diese sind in die dafür vorgesehenen Öffnungen an den Unterseiten der Lautsprecher einzuführen.

Der Philos 12A Lautsprecher ist auch für den schrägen Aufbau auf dem Boden als Kontrolllautsprecher für die Bühne vorbereitet.


Ferner kann man ihn mit Hilfe des Zubehörs SR 12 (nicht enthalten) oder der 10 Verschraubungspunkte (siehe beiliegende Zeichnung) aufhängen. Diese Verschraubungspunkte bestehen aus 4 eingebauten Muttern an der Hinterseite und 6 an den Ober- und Unterseiten. Bei Verwendung der SR 12 Befestigungen muss ein zusätzliches Sicherheitskabel angebracht werden.

Unter keinen Umständen darf der Lautsprecher an den Transportösen aufgehängt werden.

### - Anschluss an das Netzanschluss

Das Philos 12A funktioniert an 115/230Vac bei 50-60Hz. An der hinteren Tafel befindet sich der Umschalter zur Auswahl der Netzspannung. Stellen Sie sicher, dass das Netzkabel sich nicht in unmittelbarer Nähe der Signalkabel befindet, um unangenehmes Summen zu vermeiden.

Eine Überlastsicherung des Typs T5A 250V 5x20 schützt das System gegen eventuell auftretende Überlastungen aus dem Stromnetzwerk. Sollte diese Sicherung durchbrennen, so schaltet sich der Apparat aus und es ist eine neue Sicherung mit identischen Eigenschaften einzusetzen. Sollte eine gerade ersetzte Sicherung erneut durchbrennen, sollten Sie sich mit unserem technischen Kundendienst in Verbindung setzen.

 **ACHTUNG: UNTER KEINEN UMSTÄNDEN DÜRFEN SIE DIE SCHUTZSCHALTUNG KURZSCHLIESSEN ODER EINE SICHERUNG HÖHEREN WERTES EINSETZEN.**  
**WARNUNG:** das Ersetzen der Sicherung muss von einem Techniker vorgenommen werden.

### - Audioeingänge:

Eingehende Audiosignale sind mit symmetrischen XLR3 Steckern anzuschliessen, die folgendermassen belegt sein müssen:

Heiss (direktes Signal)	>	Pin 2
Kalt (invertiertes Signal)	>	Pin 3
Masse	>	Pin 1

Je nach Einstellung des LINE / MICRO Umschalters können am Eingang entweder Signale mit Linienpegel oder mit Mikrofonpegel angelegt werden.



- Linieneingänge:

Die Sensibilität beträgt -10dBV (316mv). Damit sind diese Eingänge geeignet für CD Player, DAT, MP3, DVD Audio, Keyboards, Tonbandgeräte, Kassettenrecorder, Radioempfänger, sowie Signale von anderen Mischpulten. Da diese Art Klangquellen normalerweise unsymmetrisch sind, ist darauf zu achten, dass die Pins 1 und 3 kurzgeschlossen und mit der Masse verbunden sind, wohingegen der Pin 2 das aktive Signal leitet.

- Mikrofoneingänge:

Die Mikrofoneingänge sind für einen nominalen Eingangspegel von -40dBV(10mV) ausgelegt.

Die Mikrofone müssen dynamisch, niederohmig (200 bis 600Ω) und mono sein. Normalerweise ist dieser Typ Mikrofon symmetrisch, aber sollten Sie ein UNSYMMETRISCHES Mikrofon besitzen, so sind die Pins 1 und 3 kurzzuschliessen.

- Audioausgänge:

Der Anschluss erfolgt ebenfalls symmetrisch über XLR3 Stecker. Der nominale Signalpegel beträgt -10dBV (316mV). Diese Ausgänge können dazu verwendet werden, das Philos System an andere eigenverstärkte Beschallungssysteme oder an herkömmliche Verstärker anzuschliessen. Sie dienen auch als Ausgänge für Aufnahmen. Es ist zu berücksichtigen, dass das Ausgangssignal durch die Lautstärkenregelung beeinträchtigt wird, wodurch hohe Signalpegel entstehen können, die beim Anschliessen an weitere Verstärkungseinheiten, diese zum Übersteuern bringen können. Seien Sie vorsichtig beim Einstellen der Lautstärke dieser Ausgänge und seien Sie grundsätzlich eher zurückhaltend mit der Tonregelung.

- Anzeigen

Das blaue LED "POWER ON" zeigt an, dass die Leistungsverstärker richtig mit Strom versorgt sind.

Jeder Eingang verfügt über die Anzeige "SIGNAL", welche bei Anwesenheit von Signalen mit -40dBV Pegel aufleuchtet. Diese Anzeigen sind sehr nützlich um zu überprüfen, ob der Eingangsmischer die von den externen Klangquellen kommenden Audiosignale richtig empfängt.

Die "CLIP"-Anzeige dient als Warnung für das Übersteuern der Leistungsverstärker bei Signalüberschuss. Um Verzerrungen und mögliche Beschädigungen der Lautsprecher zu vermeiden, ist es wichtig, dass diese Anzeige nicht aufleuchtet.

- Klangregelung

Das Philos 12A System ist mit einer leistungsstarken 3-Band-Klangregelung vom Typ Baxandall bestückt . Jedes Band hat einen Regelbereich von -20 bis +10dB. Die Grenzfrequenzen sind 250Hz und 5KHz. Das Philos 12A System benötigt für einen sauberen Klang keine übertriebene Klangregelung. Um Risiken zu vermeiden, ist es empfehlenswert, die Klangregelung nicht über ¼ einzustellen.

## 7. WEITERE HINWEISE

- Masseschleifen

Es sollte stets darauf geachtet werden, dass die Klangquellen, welche an die Eingänge des Philos 12A gekoppelt sind, sowie die Geräte, die an dessen Ausgänge angeschlossen sind, nicht über die Masse miteinander verbunden sind. Anders ausgedrückt, es sollte nie ein Gerät über zwei oder mehrere Wege mit Masse verbunden sein, da dies Summen zur Folge haben kann, welches sich negativ auf die Klangqualität auswirken kann. Sollten die Abschirmungen der Kabel mit dem Metallgehäuse des Geräts verbunden sein, so dürfen diese unter keinen Umständen miteinander verbunden werden, um die Bildung von Masseschleifen zu vermeiden.

- Audioanschlüsse

Es ist empfehlenswert, die signalführenden Anschlüsse so kurz wie möglich zu halten und Stecker und Kabel von bester Qualität zu verwenden. Im Allgemeinen wird Kabeln und Steckern nicht die notwendige Aufmerksamkeit entgegengebracht. Viele ernsthafte Probleme können auftreten, wenn schlechte Verbindungen hergestellt oder billige Kabel verwendet wurden.

- Grundrauschen

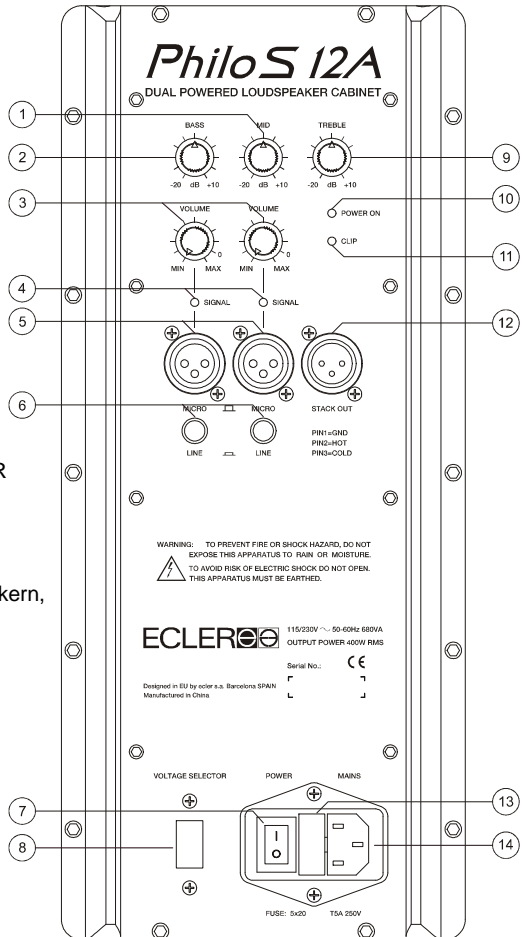
Die Verwendung von aktiven Schaltungen kann, je nach Art der Schaltung, zu mehr oder weniger Grundrauschen führen. Das Philos 12A wurde so konzipiert, dass das Grundrauschen so niedrig wie möglich ist. Unabhängig von der elektronischen Ausführung ist das Grundrauschen jedoch abhängig von korrektem Aufbau und korrekter Handhabung.

- Reinigung

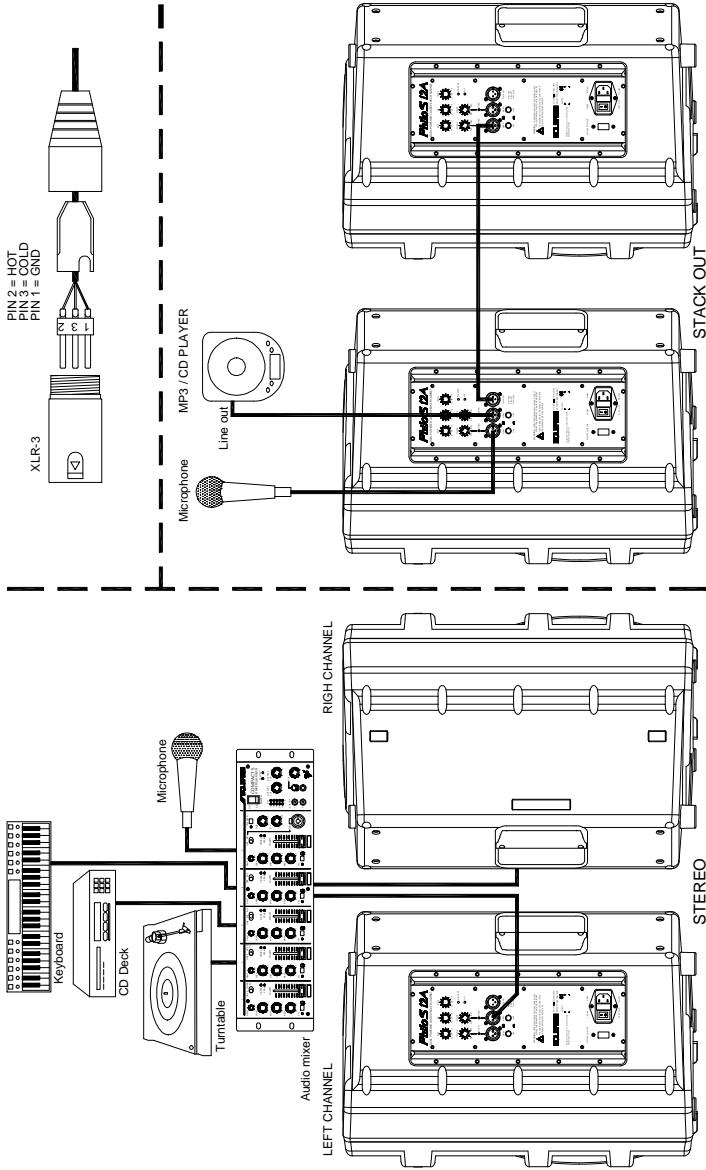
Die Frontplatte darf nicht mit lösungsmittelhaltigen oder scheuernden Substanzen gereinigt werden, da hierbei die Oberfläche beschädigt werden könnte. Verwenden Sie zur Reinigung der Frontplatte ein feuchtes Tuch und etwas milde Seifenlauge. Trocknen Sie danach die Oberfläche sorgfältig ab. Lassen Sie niemals Wasser in die Öffnungen der Frontplatte gelangen.

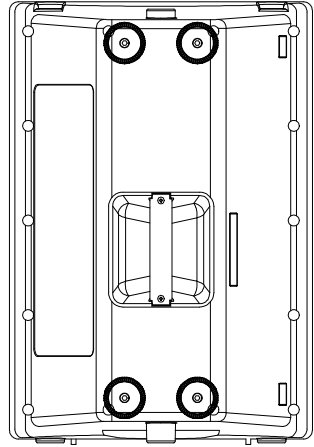
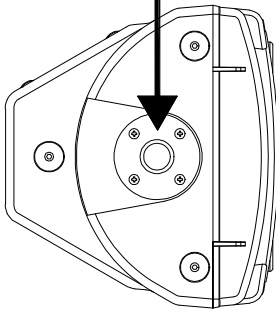
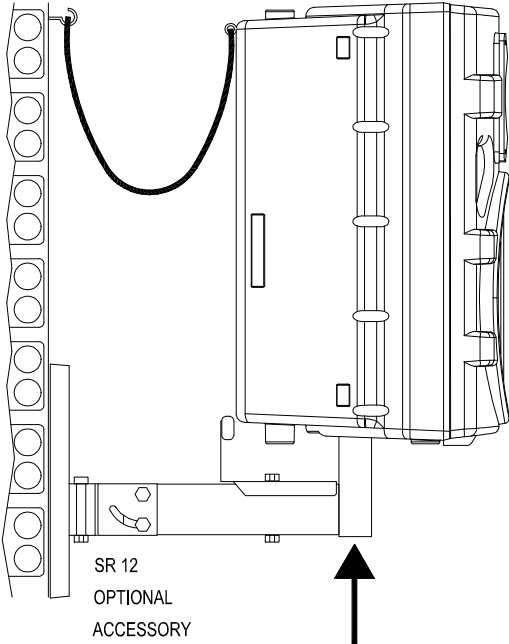
## 8. ANSCHLÜSSE UND BEDIENELEMENTE

1. Mittenregler, MID
2. Tiefenregler, BASS
3. Eingangsregler, VOLUME
4. Signalanzeige, SIGNAL
5. Eingang, MICRO/LINE
6. Eingangs-Wahlschalter
7. Hauptschalter, O/I
8. Spannungswechsel, VOLTAGE SELECTOR
9. Höhenregler, TREBLE
10. LED-Anzeige für den Betriebszustand, POWER ON
11. Clip Anzeige, CLIP
12. XLR Ausgangsbuchse zu anderen Verstärkern, STACK OUT
13. Sicherungskapsel
14. Stromanschluss

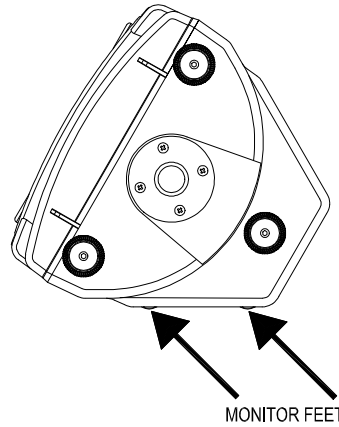


9. APPLICATION AND MOUNTING EXAMPLE DIAGRAMS  
 9. DIAGRAMAS DE EJEMPLOS DE APLICACIÓN Y SUSPENSIÓN  
 9. SCHEMAS D'EXEMPLES D'APPLICATION ET D'ACCROCHAGE  
 9. BEISPIELE FÜR ANWENDUNG UND AUFHÄNGUNG





6 x THREADED INSERTS (BOTH SIDES)



10. TECHNICAL CHARACTERISTICS  
 10. CARACTERÍSTICAS TÉCNICAS  
 10. CARACTÉRISTIQUES TECHNIQUES  
 10. TECHNISCHE DATEN

System	Active Crossover two way full range active cabinet
Driver	12" x1(Bass) 1x44mm (Treble)
Power output (RMS)	300W (Bass) + 100W (Treble)
Maximum SPL (dB/M)	122dB
Dispersion (HxV)	90° x 60°
Inputs sensitivity nom/impedance	Micro -40dBV 10mV 20kΩ (Balanced) Line -10dBV 316mV 20kΩ (Balanced)
Connector type	XLR3
Frequency response (-3dB)	50Hz~18kHz
Tone control	
Crossover frequencies	250Hz-5kHz
Gain	-20dB +10dB
Signal indicator	-40dB
Mains	AC 115V/230V 50-60Hz
Power consumption	680VA
Dimension (WxDxH mm/Pcs)	415x375x600
Packaging Dimension (WxDxH mm/Pcs)	465x435x680
Net weight (kg/Pcs)	23kg
Gross weight (kg/Pcs)	25kg

11. BLOCK DIAGRAM  
 11. DIAGRAMA DE BLOQUES  
 11. BLOCS DE DIAGRAMMES  
 11. SCHALTBILD

