



Atmos 500

ORDERCODE 60870



Highlite International B.V.
Vestastraat 2
6468 EX Kerkrade
The Netherlands
Phone: +31 45-5667700

SHOWELECTRONICS FOR PROFESSIONALS

Congratulations!

You have bought a great, innovative product from Showtec.

The Showtec Atmos 500 brings excitement to any venue. Whether you want simple plug-&-play action or a sophisticated DMX show, this product provides the effect you need.

You can rely on Showtec, for more excellent lighting products.

We design and manufacture professional light equipment for the entertainment industry.

New products are being launched regularly. We work hard to keep you, our customer, satisfied.

For more information: iwant@showtec.info

You can get some of the best quality, best priced products on the market from Showtec.

So next time, turn to Showtec for more great lighting equipment.

Always get the best -- with Showtec !

Thank you!



Warning	2
Safety-instructions.....	2
Operating Determinations.....	4
Rigging.....	4
Return Procedure.....	5
Claims.....	5
Description	6
Features.....	6
Overview.....	6
Backside.....	7
Installation	7
Installing the fogger.....	7
Set Up and Operation	7
Maintenance	8
Performance notes.....	8
Troubleshooting	8
Product Specifications	9

WARNING

FOR YOUR OWN SAFETY, PLEASE READ THIS USER MANUAL CAREFULLY BEFORE YOUR INITIAL START-UP!

Unpacking Instructions

Immediately upon receiving this product, carefully unpack the carton and check the contents to ensure that all parts are present, and have been received in good condition. Notify the dealer immediately and retain packing material for inspection if any parts appear damaged from shipping or the carton itself shows signs of mishandling. Save the carton and all packing materials. In the event that a fixture must be returned to the factory, it is important that the fixture be returned in the original factory box and packing.

Your shipment includes:

- Showtec Atmos 500 fogger with powercable 1,40m
- Included: Remote Control; Cable length 5m.
- User manual



CAUTION!
Keep this device away from rain and moisture!
Unplug mains lead before opening the housing!

CAUTION!
Keep this device away from rain and moisture!
Unplug mains lead before filling the tank!

FOR YOUR OWN SAFETY, PLEASE READ THIS USER MANUAL CAREFULLY BEFORE YOUR INITIAL START-UP!

SAFETY INSTRUCTIONS

Every person involved with the installation, operation and maintenance of this device have to:

- be qualified
- follow the instructions of this manual

CAUTION! Be careful with your operations. With a dangerous voltage you can suffer a dangerous electric shock when touching the wires!

Before your initial start-up, please make sure that there is no damage caused by transportation. Should there be any, consult your dealer and do not use the device.

To maintain perfect condition and to ensure a safe operation, it is absolutely necessary for the user to follow the safety instructions and warning notes written in this manual.

Please consider that damages caused by manual modifications to the device are not subject to warranty.

This device contains no user-serviceable parts. Refer servicing to qualified technicians only.

IMPORTANT:

The manufacturer will not accept liability for any resulting damages caused by the non-observance of this manual or any unauthorized modification to the device.

- Never let the power-cord come into contact with other cables! Handle the power-cord and all connections with the mains with particular caution!
- Never remove warning or informative labels from the unit.
- Never use anything to cover the ground contact.
- Never aim the output nozzle directly at people.
- Never aim the output nozzle at open flames.
- Never add flammable liquids of any kind (oil, gas, perfume) to the fog liquid.
- Never drink fog liquid. If it is ingested, call a doctor immediately. If fog liquid comes in contact with skin or eyes, rinse thoroughly with water.
- Never lock smoke-filled rooms. Risk : panic among the locked persons!
- Never smoke permanently! The smoke must only be used for a short period -
- Do not insert objects into air vents.
- Do not open the device and do not modify the device.
- Do not connect this device to a dimmerpack.
- Do not switch the device on and off in short intervals, as this would reduce the device's life.
- Do not touch the fogger output bare-handed during its operation (output becomes very hot).
- Do not shake the device. Avoid brute force when installing or operating the device.
- Only use device indoor, avoid contact with water or other liquids.
- Only use smoke in well ventilated rooms.
- Only use the high-quality, water-based fog liquid, that your Showtec dealer recommends. (5L fogger fluid ordercode 60603) Other fog liquids may cause poor effect fog, clogging and "spitting" of unevaporated liquid.
- Avoid flames and do not put close to flammable liquids or gases.
- Always make sure there is sufficient liquid in the fog liquid tank. Operating this unit without liquid will cause damage to the pump and the heater.
- Always allow free air space of at least 20 cm around the sides and top of the unit.
- Always drain tank before shipping or otherwise transporting this unit.
- Always keep tank cap closed while operating.
- Always keep the fog machine upright.
- Always unplug your SHOWTEC Fog Machine before filling its tank.
- For adult use only. Fog machine must be installed out of the reach of children. Never leave the unit running unattended. Leave the grid guarding the nozzle in place if the machine is to be used in the presence of children
- Always keep the nozzle at least 50 cm away from contact with anything, while in operation.
- Always disconnect power from the mains, when device is not used or before cleaning ! Only handle the power-cord by the plug. Never pull out the plug by tugging the power-cord.
- Make sure that the available voltage is not higher than stated on the rear panel.
- Make sure that the power-cord is never crimped or damaged. Check the device and the power-cord from time to time.
- Make sure that the core diameter of extension cords and power cords is sufficient for the required power consumption of the device.
- The cable insert or the female part in the device must never be strained. There must always be sufficient cable to the device. Otherwise, the cable may be damaged which may lead to deadly electrical shocks.
- If the external cable is damaged, it has to be replaced by a qualified technician.
- If device is dropped or struck, disconnect mains power supply immediately. Have a qualified engineer inspect for safety before operating.
- If the device has been exposed to drastic temperature fluctuation (e.g. after transportation), do not switch it on immediately. The arising condensation water might damage your device. Leave the device switched off until it has reached room temperature.
- If your Showtec Fog Machine fails to work properly, discontinue use immediately. Drain all fog liquid from the tank, pack the unit securely (preferably in the original packing material), and return it to your Showtec dealer for service.
- For replacement use fuses of same type and rating only.
- Allow time to cool down, before cleaning or servicing.

- The residence time of persons in smoke-filled rooms with less than 15 m of sight must never exceed 5 minutes.
- The fog vapour at point of release is under pressure and is extremely hot.
- The output nozzle becomes very hot during operation (300 degrees C). Keep flammable materials at least 50 cm away from the nozzle.
- The use of smoke-fluid is only allowed for adults.
- Repairs, servicing and electric connection must be carried out by a qualified technician.
- In dense, smoke-saturated surroundings, the oxygen portion is substantially reduced!
- The smoke density must be portioned in a way that the sight will always be above 5 m - Danger of anxiety state due to missing orientation!
- The user is responsible for correct positioning and operating of the Atmos 500. The manufacturer will not accept liability for damages caused by the misuse or incorrect installation of this device.
- Every smoke-filled room must be overseen by a skilled person.
- WARRANTY: Till one year after date of purchase.

Operating instructions:

This device is not designed for permanent operation. Consistent operation breaks will ensure that the device will serve you for a long time without defects.

The minimum distance between light-output and the illuminated surface must be more than 0,5 meters.

The maximum ambient temperature $t_a = 45^\circ\text{C}$ must never be exceeded.

The relative humidity must not exceed 50 % with an ambient temperature of 45°C .

If this device is operated in any other way, than the one described in this manual, the product may suffer damages and the warranty becomes void.

Any other operation may lead to dangers like short-circuit, burns, electric shock, explosion, crash etc.

You endanger your own safety and the safety of others

Improper installation can cause serious damage to people and property !

Rigging

Please follow the European and national guidelines concerning rigging, trussing and all other safety issues.

Do not attempt the installation yourself !

Always let the installation be carried out by an authorized dealer !

Procedure:

- If the fogger is lowered from the ceiling or high joists, professional trussing systems have to be used.
- Use a clamp to mount the fogger, with the mounting-bracket, to the trussing system.
- The fogger must never be fixed swinging freely in the room.
- The installation must always be secured with a safety attachment, e.g. an appropriate safety net or safety-cable.
- When rigging, derigging or servicing the fogger, always make sure, that the area below the installation place is blocked and staying in the area is forbidden.


The Atmos Fogger can be placed on a flat stage floor or mounted to any kind of truss by a clamp.

Improper installation can cause serious damage to people and property !

Connection with the mains

Connect the device to the mains with the power-plug.

Always pay attention, that the right color cable is connected to the right place.

International	EU Cable	UK Cable	US Cable	Pin
L	BROWN	RED	YELLOW/COPPER	FASE
N	BLUE	BLACK	SILVER	NUL
	YELLOW/GREEN	GREEN	GREEN	EARTH

Make sure that the device is always connected properly to the earth!



Return Procedure

Returned merchandise must be sent prepaid and in the original packing, call tags will not be issued. Package must be clearly labeled with a Return Authorization Number (RMA number). Products returned without an RMA number will be refused. Highlite will not accept the returned goods or any responsibility. Call Highlite 0031-455667723 or mail offersales@highlite.nl and request an RMA prior to shipping the fixture. Be prepared to provide the model number, serial number and a brief description of the cause for the return. Be sure to properly pack fixture, any shipping damage resulting from inadequate packaging is the customer's responsibility. Highlite reserves the right to use its own discretion to repair or replace product(s). As a suggestion, proper UPS packing or double-boxing is always a safe method to use.

Note: If you are given an RMA number, please include the following information on a piece of paper inside the box:

- 1) Your name
- 2) Your address
- 3) Your phone number
- 4) A brief description of the symptoms

Claims

The client has the obligation to check the delivered goods immediately upon delivery for any shortcomings and/or visible defects, or perform this check after our announcement that the goods are at their disposal. Damage incurred in shipping is the responsibility of the shipper; therefore the damage must be reported to the carrier upon receipt of merchandise.

It is the customer's responsibility to notify and submit claims with the shipper in the event that a fixture is damaged due to shipping. Transportation damage has to be reported to us within one day after receipt of the delivery.

Any return shipment has to be made post-paid at all times. Return shipments must be accompanied with a letter defining the reason for return shipment. Non-prepaid return shipments will be refused, unless otherwise agreed in writing.

Complaints against us must be made known in writing or by fax within 10 working days after receipt of the invoice. After this period complaints will not be handled anymore.

Complaints will only then be considered if the client has so far complied with all parts of the agreement, regardless of the agreement of which the obligation is resulting.

Description of the device

Features

The Atmos 500 fogger is a versatile and powerful fogger from Showtec.

- 500 W Heater
- Warm-up time approx. 3 min.
- Fog output 4000cu.ft/min.
- Tank Capacity: 1 L.
- Fluid Consumption: 17 min / 1 liter
- Include Remote: On-Off Remote
- Remote Connection: 5 Pole Din
- Included: Remote Control; Cable length 5m.
- Fuse 6A 250V
- Dimensions: 300 x 205 x 225 mm (LxWxH)
- Weight: 2,28 Kg

Overview



- 1) 1 L Liquid tank
- 2) Nozzle output
- 3) Remote control

Fig. 1

Backside



Fig. 2

- | | |
|--|-----------------|
| 4) 1 L Liquid tank | 7) ON/OFF |
| 5) Fluid level | 8) Fuse 6A 250V |
| 6) 5-pin Remote control input; also works with 50333 MKII | 9) AC 220~240V |
| Use FL513 as connection cable for connecting to 50333 | |

Installation

Installing the Fogger

Remove all packing materials from the fog machine. Check that all foam and plastic padding is removed, especially in the nozzle area.

Fill with Fog Liquid (ordercode 60603) or other high-quality water-based fog fluid. Any other types of fluid can damage the unit. Be careful not to exceed the maximum fluid level. **DO NOT OVERFILL.**

When filled, place cap back on liquid tank.

Firmly attach the remote control cable to the proper input on the rear of the machine

The unit can also be operated at floor level or sitting on any regular surface as well.

If the unit is to be mounted using the bracket, it is important that the fog does not shoot directly at any one's face. Therefore, do not point the nozzle in a direction that will aim directly at a person.

Whatever installation method you choose, do not allow the unit to have more than a 15 degree angle of inclination.

Always disconnect from electric mains power supply before cleaning or servicing.

Damages caused by non-observance are not subject to warranty.

Set Up and Operation

Before plugging the unit in, always make sure that the power supply matches the product specification voltage. Do not attempt to operate a 120V specification product on 230V power, or vice versa.

Pay Attention !! Always monitor tank fluid level as you are fogging.

Running a fog machine with no fluid can permanently damage the unit.

Procedure :

1. Plug power cord into a grounded electrical outlet.
Warm-up is complete when lamp lights up on remote unit.
2. To emit fog, press the button on the remote and hold for the desired length of time.
3. The remote unit's lamp will cycle on and off as the machine re-heats to the proper operating temperature.



Maintenance

The Atmos 500 fogger requires almost no maintenance. However, you should keep the unit clean. Disconnect the mains power supply, and then wipe the cover with a damp cloth. Do not immerse in liquid.

Please clean internal components once a year with a light brush and vacuum cleaner. Do not use alcohol or solvents.

Keep connections clean. Disconnect electric power, and then wipe the connections with a damp cloth. Make sure connections are thoroughly dry before linking equipment or supplying electric power.

Do not allow the fog liquid to become contaminated. Always replace the caps on the fog liquid container and the fog machine liquid tank immediately after filling.

After every 40 hours of continuous operation, it is recommended to run a cleaning solution composed of 80% distilled water/20% white vinegar through the system to prevent the accumulation of particulate matter in the heating element.

When cleaning, use only a clean, lint-free soft cloth. An effective cleaning regimen is as follows:

1. While unit is unplugged and cool, unscrew nozzle at very front of unit and clean out debris with vinegar and a pipe cleaner, making sure that the hole is free of clogs.
2. Empty all fog fluid from machine. Add cleaning solution to tank. Plug unit in and begin warm up.
3. Run unit in a well-ventilated area until tank is empty.
4. Replace nozzle and refill with liquid.

Performance Notes

- All fog machines develop condensation around the output nozzle. Because this may result in some moisture accumulation on the surface below the output nozzle, consider this condensation when installing your unit.
- Fog machines may sputter small amounts of fog occasionally during operation and for a minute or so after being turned off.
- All fog machines have a recycling period after bursts of fog, when the machine will shut itself down for a short period in order to heat back up. During this time no fog can be produced.

Troubleshooting

Showtec Atmos 500 Fogger

This troubleshooting guide is meant to help solve simple problems.

Always monitor tank fluid level as you are fogging. Running a fog machine with no fluid can permanently damage the unit.

If a problem occurs, carry out the steps below in sequence until a solution is found. Once the unit operates properly, do not carry out following steps.

If the fogger does not operate properly, refer servicing to a technician.

1. If you experience low output, pump noise or no output at all, unplug immediately.
2. Check fluid level, the external fuse, remote connection, and power from the wall.
3. If all of the above appears to be O.K., plug the unit in again.
4. If fog does not come out after holding the remote button down for 30 seconds, check the hose attached to the tank to make sure there is fluid going through the hose. Make sure the fogger isn't warming up.
5. If you are unable to determine the cause of the problem, do not simply continue pushing the remote button, as this may damage the unit.
6. Return the machine to your Showtec dealer.

Product Specification

Model: Showtec Atmos 500 Fogger

Voltage: AC 230V-50Hz (CE)

Power consumption: 500W(230V)

500 W Heater

Warm-up time approx. 3 min.

Fog output 4000cu.ft/min.

Tank Capacity: 1 L.

Fluid Consumption: 17 min / 1 liter

Include Remote: On-Off Remote

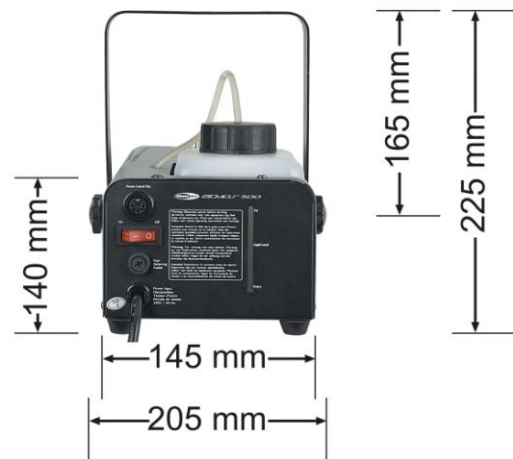
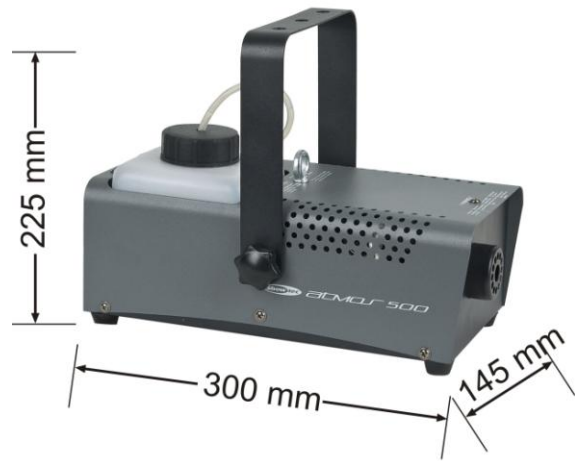
Remote Connection: 5 Pole Din

Included: Remote Control; Cable length 5m.

Fuse 6A 250V

Dimensions: 300 x 205 x 225 mm (LxWxH)

Weight: 2,28 Kg



Design and product specifications are subject to change without prior notice.



Website: www.Showtec.info

Email: service@highlite.nl



© 2011 Showtec.