

SBX218

2 x 18" Powered Subwoofer

- ▶ Powerful neodymium transducers with tremendous motor strength reduce system weight and increase output response at all output levels.
- ▶ 4-in Voice Coil Drivers
- ▶ Cable Chases for Concealed Wiring and Rigging.
- ▶ Multiple tie down points for secure stacking.
- ▶ Universal power supply for reliable operation on any mains source anywhere in the world



Dante[®]
SPOKEN HERE

OVERVIEW

The SBX218 is a high output subwoofer system designed to support any system from RSX to ADAPTive Series products. SBX Series use of neodymium woofers with a 4-in voice coil ensures the best sonic performance, meeting expectations for medium to large venues.

Engineered for both production and installation uses, SBX218 is equipped with a threaded pole mount and rugged handles, making for a perfect solution for small gigs to large concert systems. Integrated runners on the top and sides lock subs together to resist movement due to vibration and provide a clean look. Support of ground stack operation of NTX can be accomplished with two sets of flybar locating pins, providing safe operation at any splay angle

SBX218's hefty grill with large openings protects the woofers, resists damage, and is acoustically transparent. The ultra large port, inspired by aircraft design, eliminates port noise. EAW DynO™ gets every last dB of performance out of the system in the most challenging conditions.

Tie Down Points
Do not hang or fly from these points

Runner

Pole Cup

Cable Pass Thru
Conceal wiring for clean look

Handles

Front Panel LED



TECHNICAL SPECIFICATIONS

DUAL 18" POWERED SUBWOOFER

PERFORMANCE

Max SPL (Half Space)	141dB
Operating Range	25Hz–120Hz

ELECTRICAL

Input Type	Electronically Balanced
Max Input Level	21dBu
Impedance	20 kOhm (balanced)
Input Wiring	XLRf, Pin 1 chassis, pin 2 +, pin 3 – separate loop-thru XLRM (for analog signal only)
Input Selection	Analog, Dante
Amplifiers & Processing (LF/HF) Type	Modified Class D
Maximum Output	2 x 2500W
Driver Protection	Integral DSP limiting
AC Mains (nominal) Connector	Neutrik PowerCON TRUE1 TOP
Input	100V TO 240V
Frequency	50 Hz to 60 Hz
Power Consumption	Idle – 40W
	1/8th - 400W
	1/3rd - 600W
	Full - 1100W
Controls/Communication Connections	Neutrik PowerCON TRUE1 TOP
Protocols	Ethernet/Dante
Software	EAW Resolution 2™

CONFIGURATION

Subsystem	Transducer	Loading
	2x18" cone, 4" VC	Vented
Operating Mode		
	Amplifier Channels	External Signal Processing
Single Amp	VLF	DSP w/EAW DynO™

ORDERING DATA

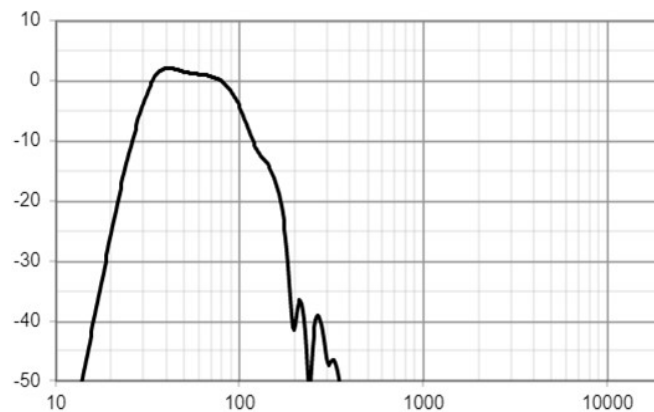
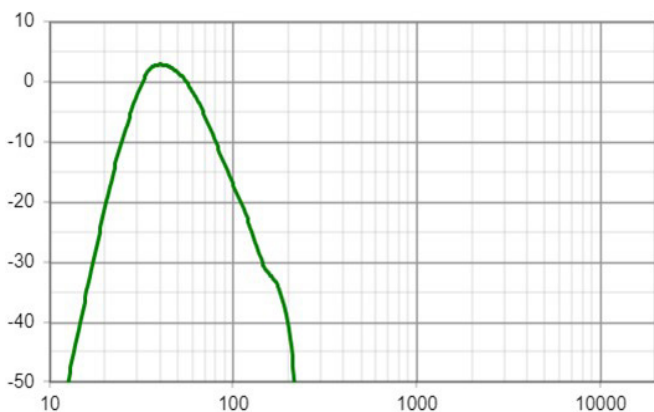
Part Numbers:	
SBX218 Black	2070846-70
Accessories	
SBX218 CART	2071078-70
SBX218 CASTER KIT	2070738
SBX218 COVER	2071298
NTX RAINSHIELD-HORIZONTAL	2070971
M20 THREADED POLE	2047634

PHYSICAL

Dimensions (H×W×D)	21.3 X 52.7 X 31.5in (540 X 1340 X 800mm)
Weight	208 lbs.

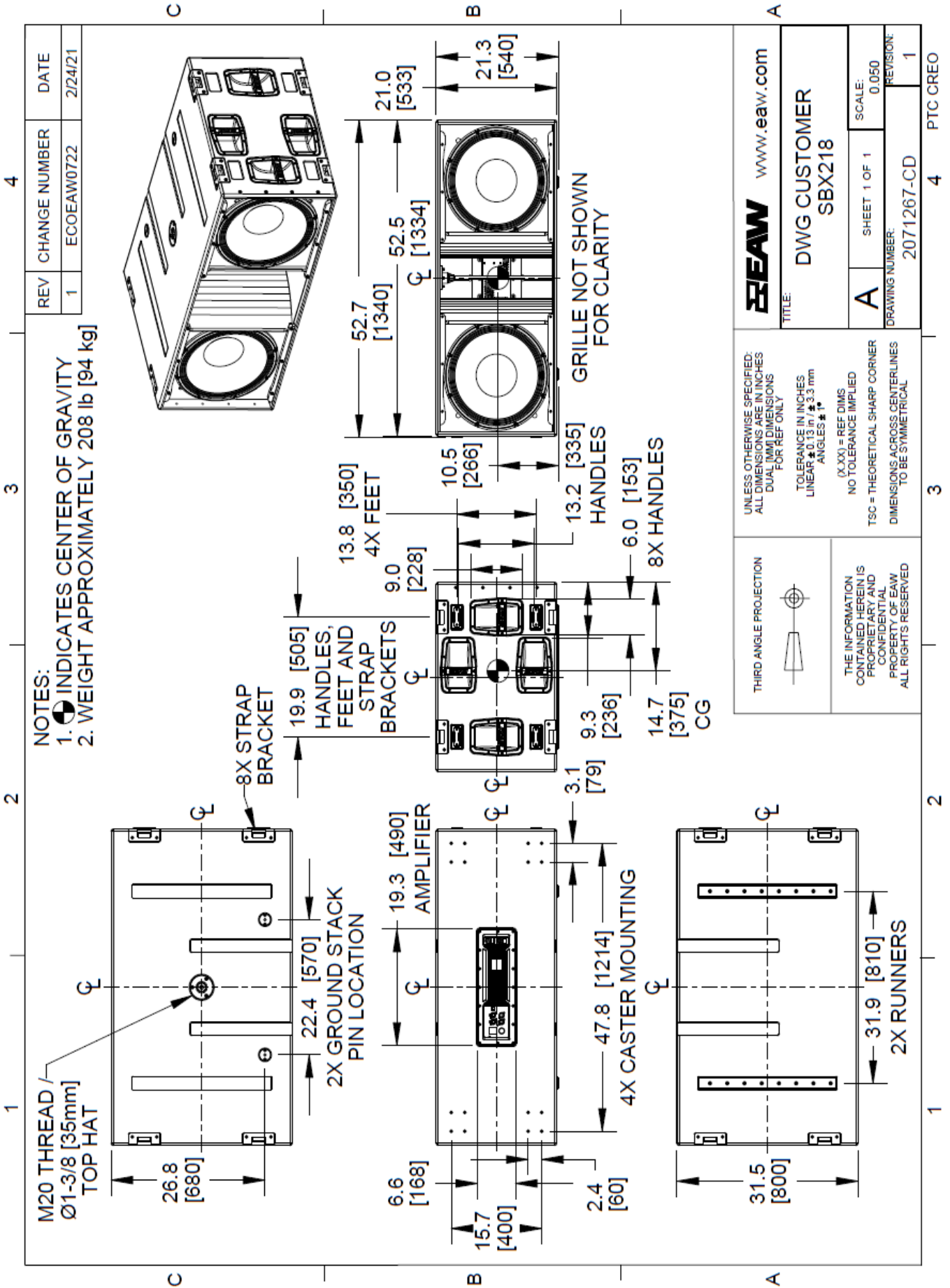
PERFORMANCE GRAPHS

Frequency Response¹ ■=60Hz Setting ■=100Hz Setting

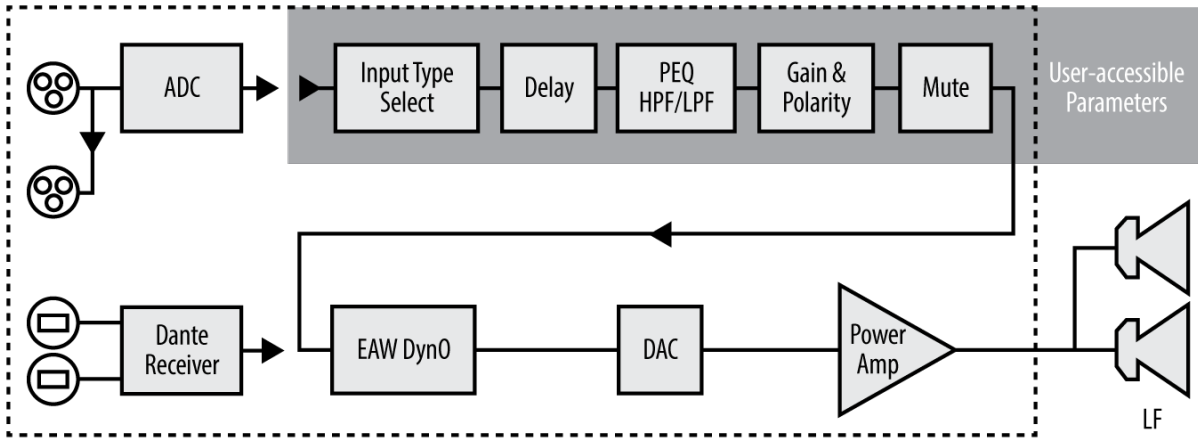


¹ Variation in acoustic output level with frequency for a constant input signal. Processed: normalized to 0 dB SPL. Unprocessed inputs: 2 V (4 ohm nominal impedance), 2.83 V (8ohm nominal impedance), or 4 V (16 ohm nominal impedance) referenced to a distance of 1 m.

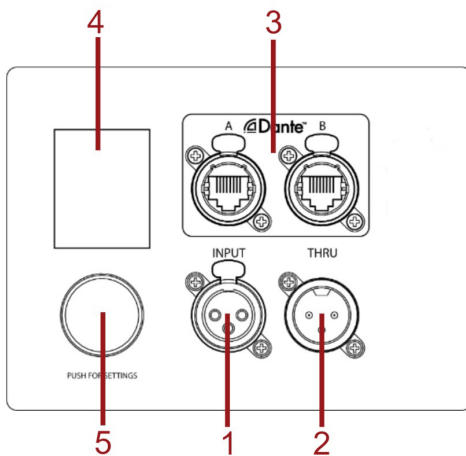
SBX218 Module



SIGNAL DIAGRAM



INPUT PANEL



- 1 XLR Input
- 2 XLR Thru
- 3 Dante A / B
- 4 LCD UI Display
- 5 DSP Navigation / Edit Wheel

Legend

- HPF** High Pass Filter for crossover –or– Recommended High Pass Filter
- LPF** Low Pass Filter for crossover
- LF/MF/HF** Low Frequency / Mid Frequency / High Frequency
- AMP** User Supplied Power Amplifier –or– Integral Amplifier for NT products
- XVR** Passive LPFs, HPFs, and EQ integral to the loudspeaker
- EAW Focusing** Digital Signal Processor capable of implementing EAW Focusing
- EAW DynO** Digital Signal Processor capable of implementing EAW DynO processing



One Main Street
Whitinsville, MA 01588
Tel 800 992 5013 / +1 508 234 6158

www.eaw.com

