



MONITOR SPEAKER

APPLICATIONS

- Foreground / Background music
- Distributed speech reinforcement
- AV production / Playback
- Near-field monitoring

KEY FEATURES

- 2-way system
- White or black ABS enclosure
- 5" LF woofer
- 0,75" HF tweeter
- 100V Line transformer (10/15/20/30W)
- Directional wall mount bracket included
- Connection via plug in «euroblock» connector



PRODUCT DESCRIPTION

The FBT 530WHT/BT two way speaker unit is equipped with a 100V line transformer and provides the possibility of an 8 Ohm connection. An exclusive fully adjustable support bracket provide a flexible mounting system for virtually any application. The low frequency section is a 5" woofer and the high frequency section is a 0,75" tweeter. The power selector switch is installed in the rear of the enclosure. The loudspeaker system meets the following performance criteria: line transformer with power taps for 10/15/20/30W, frequency response from 85Hz to 20kHz (-10dB), nominal impedance 8 Ohm, pressure sensitivity 87,5dB. The FBT 530WHT/BT is ideally suited for all applications requiring high quality sound reproduction; as a foreground or background loudspeaker in restaurants and clubs, monitor speaker in churches, schools, conference rooms and hotels.

ELECTRONIC SPECIFICATIONS

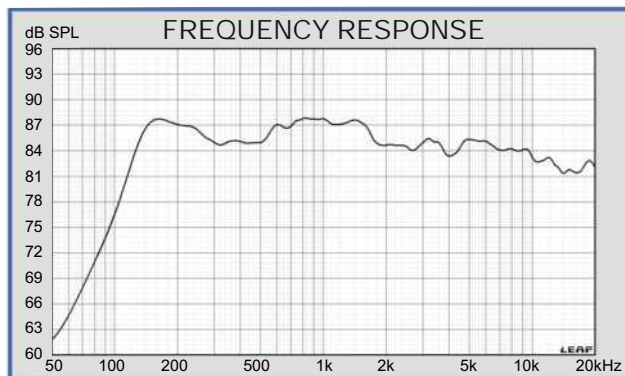
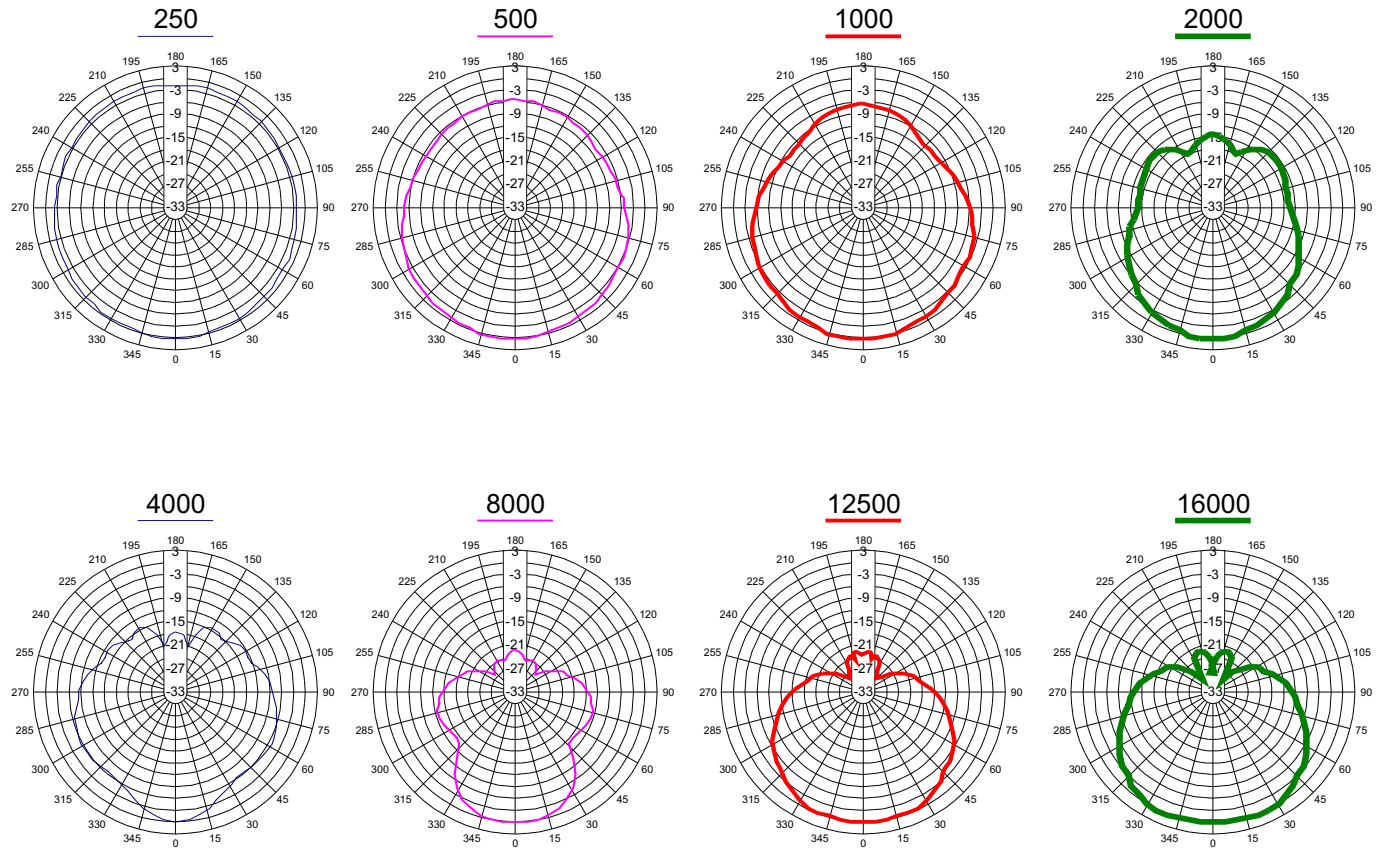
System Type	2 Way
Recommended Amplifier	60W
Long Term Power	30W
Short Term Power (IEC 268-5)	120W
Transformer	100V / 10-15-20-30W
Nominal Impedance	8 Ohm
Frequency Response	85Hz - 20kHz (@-10dB)
Sensitivity	87,5dB (@1W, 1m)
Max SPL	106dB
Dispersion (H x V)	100° x 100°
Recommended HP filter	55Hz - 24dB oct.

PHYSICAL SPECIFICATIONS

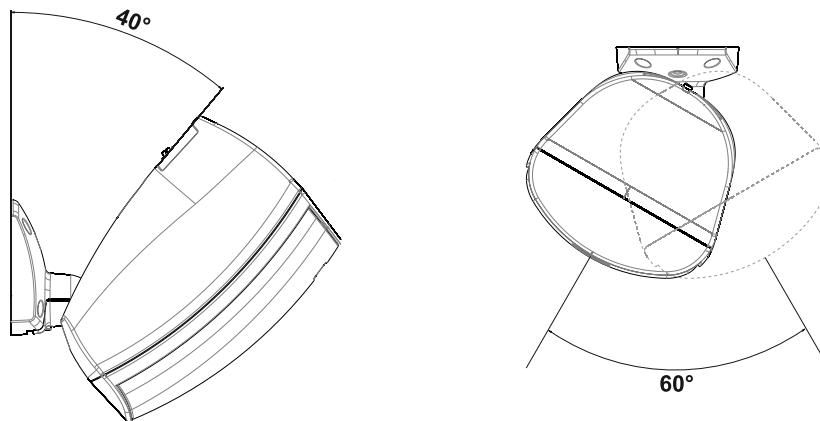
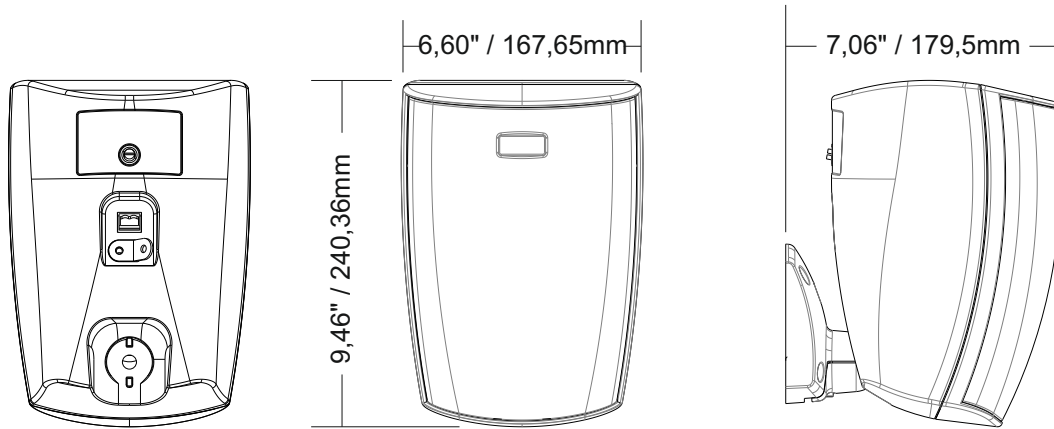
Low Frequency Woofer	5"
High Frequency Driver	0,75"
Input Connectors	Euroblock
Net Dimensions (WxHxD) inch	6,60 x 9,46 x 7,06
Shipping Dimensions (WxHxD) inch	9,44 x 11,81 x 9,84
Net Weight	6,39 lbs
Shipping Weight	7,49 lbs
Enclosure Material	ABS
Grille	Matching perforated steel black or white paint finish

DIAGRAMS

Horizontal polar



DIMENSIONAL DRAWINGS



POWER SWITCH & EUROBLOCK CONNECTOR

The speaker can be connected to audio lines at constant voltage (100V / 70V) or with constant impedance (8 Ohm)

