

Vector Mode	Value	Function
	18	Color Time
		max to min speed
	19	Gobo Time
		max to min speed

10. Maintenance and cleaning

It is absolutely essential that the fixture is kept clean and that dust, dirt and smoke-fluid residues must not build up on or within the fixture. Otherwise, the fixture's light-output will be significantly reduced. Regular cleaning will not only ensure the maximum light-output, but will also allow the fixture to function reliably throughout its life. A soft lint-free cloth moistened with any good glass cleaning fluid is recommended, under no circumstances should alcohol or solvents be used!

DANGER !
Disconnect from the mains before starting any maintenance work

The front objective lens will require weekly cleaning as smoke-fluid tends to building up residues, reducing the light-output very quickly. The cooling-fans should be cleaned monthly.

The interior of the fixture should be cleaned at least annually using a vacuum-cleaner or an air-jet. gobo and graphic wheels and the internal lenses should be cleaned monthly. Remove dust and dirt from the fans and cooling vents using a soft brush and vacuum-cleaner.

Important! Check the air filters periodically and clean before they become clogged!

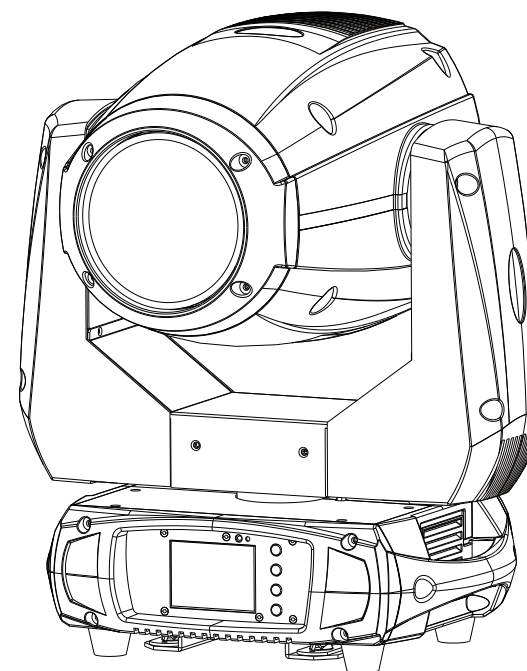
Clean two air filters placed in the fixture's covers and two in the fixture base. Use a vacuum cleaner, compressed air or you can wash them and put back dry.

After replacing the air filters, reset the elapsed time counter in the menu "Information" (Information--->Air Filters--->Elapsed Time).

Replacing the fuse. Before replacing the fuse, unplug mains lead.

- 1) Remove the fuse holder on the rear panel of the base with a fitting screwdriver from the housing (anti-clockwise).
- 2) Remove the old fuse from the fuse holder.
- 3) Install the new fuse in the fuse holder (only the same type and rating).
- 4) Replace the fuseholder in the housing and fix it.

FOS Scorpio BSW HP



Version 1.0

USER MANUAL

- Be sure to read the USER MANUAL carefully before using this product.
- Be sure to keep the USER MANUAL properly for future needs.
- Use this product correctly when you can fully understand the User Manual

1.Safety instructions

Thank you for choosing our FOS Scorpio BSW HP . for your own safety, please read this user manual carefully

BEFORE YOU INITIAL START - UP!

CAUTION!
Be careful with your operations.
With a high voltage you can suffer a dangerous electric shock when touching the wires!

This device has left our premises in absolutely perfect condition. In order to maintain this condition and to ensure a safe operation, it is absolutely necessary for the user to follow the safety instructions and warning notes written in this manual.

CAUTION!
Keep this device away from rain and moisture!
Unplug mains lead before opening the housing!

Important:

The manufacturer will not accept liability for any resulting damages caused by the non-observance of this manual or any unauthorized modification to the device.

Please consider that damages caused by manual modifications to the device are not subject to warranty.

During the operation (the housing becomes hot). Allow the fixture to cool approximately 20 minutes prior to manipulate with it.

Make sure that the available voltage is not higher than stated on the rear panel.

WARNING! This unit does not contain an ON/OFF switch. Always disconnect power input cable to completely remove power from unit when not in use or before cleaning or servicing the fixture.

Make sure that the power-cord is never crimped or damaged by sharp edges. Check the device and the power-cord from time to time.

Always disconnect from the mains, when the device is not in use or before cleaning it. Only handle the power-cord by the plug. Never pull out the plug by tugging the power cord.

This device falls under protection class I. Therefore it is essential to connect the yellow/green conductor to earth.

The electric connection, repairs and servicing must be carried out by a qualified employee.

Do not connect this device to a dimmer pack.

Do not switch the fixture on and off in short intervals as this would reduce the lamp's life.

During the initial start-up some smoke or smell may arise. This is a normal process and does not necessarily mean that the device is defective.

Do not touch the device's housing bare hands during its operation (housing becomes hot)!

For replacement use lamps and fuses of same type and rating only.

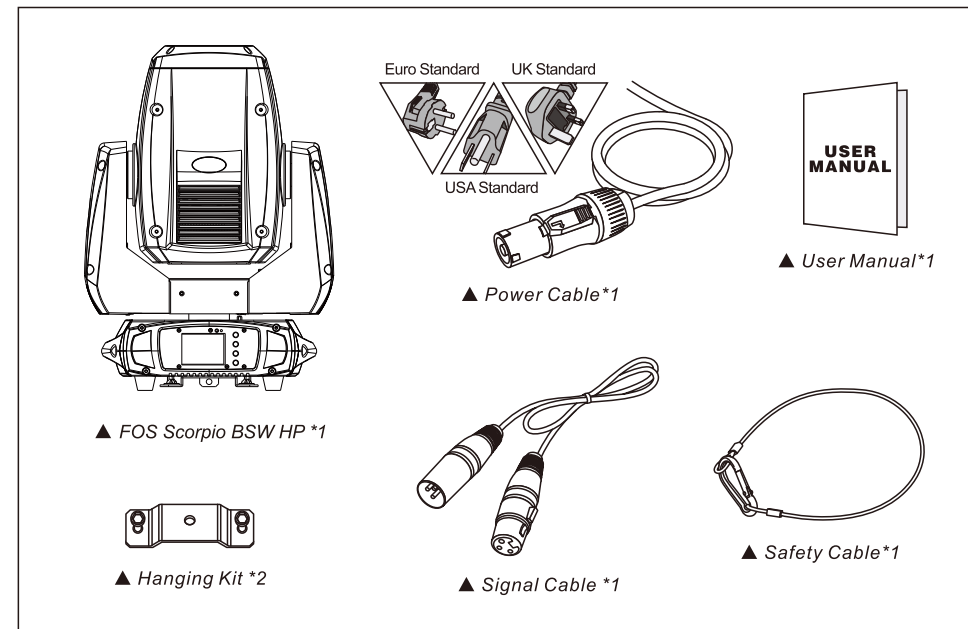
CAUTION ! EYE DAMAGES !
Avoid looking directly into the light source
(meant especially for epileptics) !

9	7	9		Shutter			
			0..31	Shutter closed			
			32..63	shutter open			
			64..95	Strobe effect slow to fast			
			96..127	shutter open			
			128..159	Pulse-effect in sequences slow to fast			
			160..191	shutter open			
10	8	10		Dimmer			
			0..255	Dimmer 0%...100%			
			11	11		Focus	
					0..255	In(near) to out(far)	
			12	10	12		Fcus Fine
							In(near) to out(far)
			13	11	13		Zoom
0..255	In(near) to out(far)						
	Rrotating prism, Prism						
0..5	OFF						
6..127	ON						
14	12	14	128..189	Forwards rotation from fast to slow			
			190..193	Prism rotation stop			
			194..255	Forwards rotation from fast to slow			
				Frost			
15	13	15	0..199	Frost OFF			
			200..255	Frost ON			
16	14	16		Speed pan/tilt			
			0..225	max to min speed			
			226..235	blackout by movement			
			236..245	blackout by all wheel changing			
17	15	17	246..255	no function			
				Special function			
			0..79	No function			
			80..84	All Motor reset			
			85..87	Scan motor reset			
			88..90	Colors motor reset			
			91..93	Gobo motor reset			
			94..96	No function			
			97..99	Other motor reset			
			100..108	Internal program 1			
			109..117	Internal program 2			
			118..126	Internal program 3			
			127..135	Internal program 4			
			136..144	Internal program 5			
			145..153	Internal program 6			
			154..162	Internal program 7			
			163..171	Internal program 8			
			172..180	Internal program 9			
			181..189	Internal Sound program 1			
			190..198	Internal Sound program 2			
199..207	Internal Sound program 3						
208..216	Internal Sound program 4						
217..225	Internal Sound program 5						
226..234	Internal Sound program 6						
235..243	Internal Sound program 7						
244..252	Internal Sound program 8						
253..255	Internal Sound program 9						

6	4	6	Gobo wheel 1	
			0..9	Open
			10..19	gobo 1
			20..29	gobo 2
			30..39	gobo 3
			40..49	gobo 4
			50..59	gobo 5
			60..69	gobo 6
			70..79	gobo 7
			80..99	Gobo 1 shake slow to fast
			100..119	Gobo 2 shake slow to fast
			120..139	Gobo 3 shake slow to fast
			140..159	Gobo 4 shake slow to fast
			160..179	Gobo 5 shake slow to fast
			180..199	Gobo 6 shake slow to fast
200..219	Gobo 7 shake slow to fast			
220..255	Rot. gobo wheel cont. rotation slow to fast			
7	5	7	Gobo 1 rotation	
			0..127	Gobo indexing
			128..189	Forwards gobo rotation from fast to slow
			190..193	Gobo rotation stop
194..255	Backwards gobo rotation from slow to fast			
8	6	8	Gobo wheel 2	
			0..5	Hole with spot
			6..11	gobo 1
			12..17	gobo 2
			18..23	gobo 3
			24..29	gobo 4
			30..35	gobo 5
			36..41	gobo 6
			42..47	gobo 7
			48..53	gobo 8
			54..59	gobo 9
			60..65	gobo 10
			66..71	gobo 11
			72..77	gobo 12
			78..83	gobo 13
			84..89	gobo 14
			90..95	gobo 15
			96..103	Gobo 1 shake slow to fast
			104..111	Gobo 2 shake slow to fast
			112..119	Gobo 3 shake slow to fast
			120..127	Gobo 4 shake slow to fast
			128..135	Gobo 5 shake slow to fast
			136..143	Gobo 6 shake slow to fast
			144..151	Gobo 7 shake slow to fast
152..159	Gobo 8 shake slow to fast			
160..167	Gobo 9 shake slow to fast			
168..175	Gobo 10 shake slow to fast			
176..183	Gobo 11 shake slow to fast			
184..191	Gobo 12 shake slow to fast			
192..199	Gobo 13 shake slow to fast			
200..207	Gobo 14 shake slow to fast			
208..215	Gobo 15 shake slow to fast			
216..255	Rot. gobo wheel cont. rotation slow to fast			

2.UNPACKING

The FOS Scorpio BSW HP adopts a 300W LED lamp which features high brightness and stability. Please carefully unpack it when you receive the fixture and check whether it is damaged during the transportation. And please check whether the following items are included inside the box:



The FOS Scorpio BSW HP is made of a new type of high temperature strength of engineering plastics and cast aluminum casing with nice outlook . The fixture is designed and manufactured strictly following CE standards, complying with international standard DMX512 protocol. It's available independently controlled and linkable with each other for operation. And it is applicable for large-scale live per formances, theater, studio, nightclubs and discos.

This manual covers the important information on installation and applications. Meanwhile, please keep this manual well for future needs.

3. TECHNICAL INFORMATION

Light Source

- 1 * 260W white led lamp, 7500K, 50000 hours life

Power Supply

- Input Voltage: AC90-260V 50/60Hz
- Power Consumption: 340W

Construction & Weight

- Dimensions: 356*224*492(mm)
- Packing Dimensions: 510*470*650 (mm)
- Net Weight: 13.3kgs
- Gross Weight: 16kgs

Optics

- Zoom range: 2.5°-14° beam application; 8°-36° spot application
- Improved optics and flat beam field
- No need for adjustment of reflector or lamp
- Anti-reflection 136mm front lenses

Control

- Control Signal: DMX512, master-slave and sound activated or auto operation
- Control Channel: 17/15/19 DMX channels USITT DMX-512
- DMX recorder and function integrated

Movement

- 630° /540° /360° PAN and 270°/180° /90° TILT movement optional
- Smooth and precise resolution for PAN/TILT movement
- Scan position memory, auto preposition after unexpected movement.

Colors Wheel & Gobos Wheel:

- 1 Color wheel with 10 colors plus open.
- 1 Static gobo wheel with 15 gobos plus open
- 1 Rotating gobo wheel with 7 gobos plus open

Rotating gobos



Static gobos



Color Wheel

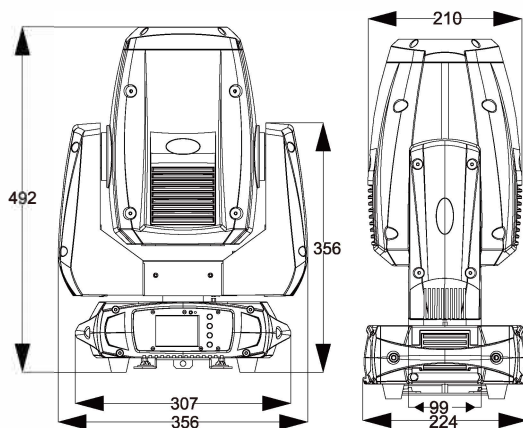


Working Environment

- Fan cooling system
- 35-45°C max ambient temperature
- Constant temperature readout and management function.
- Protection Rating : IP 20

Features

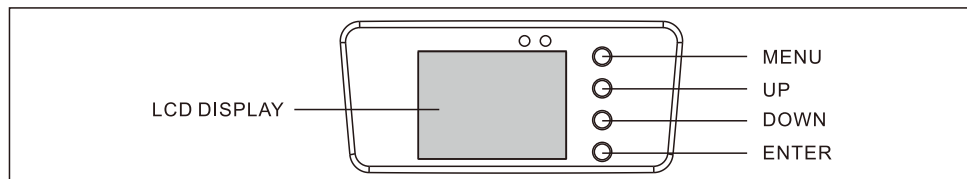
- Anti-reflection lenses
- No need for adjustment of reflector or lamp
- Dual flag mechanical dimming system
- 20T/sec high speed shutter/strobe effect with variable speed
- 0-100% Linear LED shutter
- Frost filter available
- Motorized focus from near to far(2m-20m)
- Linear motorized Zoom
- Automatic Pan / Tilt position correction and automatic Pan/Tilt mechanical lock function
- 3-facet prism with variable speed and direction
- 2.4' TFT LCD display (320*240pix)
- Display reversible for up side down application
- Vector mode with blackout MIB function
- Electronic ballast and power supply
- Power con IN/OUT
- 3-Pin XLR connectors IN/OUT
- Lamp using time readable on the display
- 55dB at 3'dB rating
- 2*1/4 turn fastening Omega clamps
- 1*Safety attachment point available



9. DMX PROTOCOL

Mode/Channel			Value	Function
17CH	15CH	19CH		
1	1	1	0..255	Pan Movement
2		2	0..255	Fine control of Pan movement
3	2	3	0..255	Tilt Movement
4		4	0..255	Fine control of Tilt movement
5	3	5		Color wheel
			0..9	Open / white
			10..19	Color 1
			20..29	Color 2
			30..39	Color 3
			40..49	Color 4
			50..59	Color 5
			60..69	Color 6
			70..79	Color 7
			80..89	Color 8
			90..99	Color 9
			100..127	Color 10
			128..189	Forwards rainbow effect from fast to slow
			190-193	Color rotation stop
194..255	Backwards rainbow effect from slow to fast			
5	3	5		Color wheel (Mode 2)
			0..4	Open / white
			5..9	White + Color 1
			10..14	Color 1
			15..19	Color 1 + Color 2
			20..24	Color 2
			25..29	Color 2 + Color 3
			30..34	Color 3
			35..39	Color 3 + Color 4
			40..44	Color 4
			45..49	Color 4 + Color 5
			50..54	Color 5
			55..59	Color 5 + Color 6
			60..64	Color 6
65..69	Color 6 + Color 7			
70..74	Color 7			
75..79	Color 7 + Color 8			
80..84	Color 8			
85..89	Color 8 + Color 9			
90..94	Color 9			
95..99	Color 9 + Color 10			
100..104	Color 10			
105..127	Color 10 + White			
128..189	Forwards rainbow effect from fast to slow			
190-193	Color rotation stop			
194..255	Backwards rainbow effect from slow to fast			

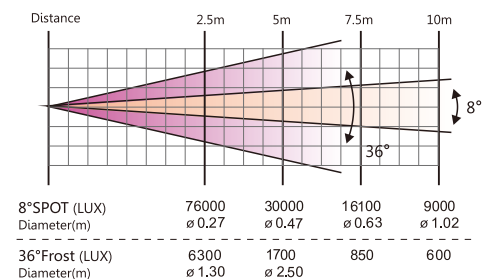
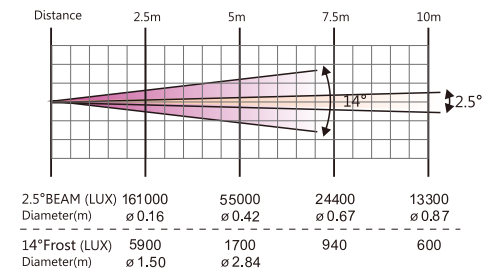
8.MENU OPERATIONS



MENU		Description	
Function Mode	Dmx Address	A001~AXXX	DMX Address Setting
	Channel Mode	CH17	17 Channel Mode
		CH15	15 Channel Mode
		CH19	19 Channel Mode
	Auto Run	Internal Program1~9	Auto Run
		State: Master/Alone Auto Run (On/Off)	
	Music Control	Internal Program1~9	Sound Control
		State: Master/Alone	
		Music Run (On/Off)	
	Option	Reset Default	Yes/No
Signal Set		Wire DMX	Wire DMX
		Wireless DMX Act WDMX&Out	Wireless DMX Act WDMX&Out
Pan / Tilt		Reverse Pan (On/Off) Reverse Tilt (On/Off) Select Pan 630/540/360 Select Tilt 270/180/90	Reverse Pan Reverse Tilt Select Pan Select Tilt
		UI SET	Mic sensitivity 0~99% OFF Signal Mode (On/Off) Half Color Wheel(On/Off) Fast scan(On/Off)
Information	Temperature	XXX°C/°F	Current Temperature
	Software Version	V1.0~V9.9	Software version
Manual Control	Reset	Total Reset	Total Reset
		Pan/Tilt Reset	Pan/Tilt Reset
Color Reset		Color Reset	
Gobo Reset		Gobo Reset	
	The Others Reset	The Others Reset	
	Channel	PAN=XXX.....	Manual Channel Control
ADVANCED (Access Code 088)	Calibration	PAN=XXX.....	Calibration

Special button instruction: press "UP" and "DOWN" for 3 seconds, display menu turns upside down

4.PHOTOMETRICS DIAGRAM



5.OPERATION INSTRUCTIONS

- The FOS Scorpio BSW HP is for beam effect for on-site decoration purpose.
- Don't turn on the fixture if it's been through severe temperature difference like after transportation because it might damage the light due to the environment changes. So make sure to operate the fixture until it is in normal temperature.
- This light should be keep away from strong shaking during any transportation or movement.
- Don't pull up the light by only the head, or it might cause damages to the mechanical parts.
- Don't expose the fixture in overheat, moisture or environment with too much dust when installing it. And
- don't lay any power cables on the floor. Or it might cause electronic shock to the people.
- Make sure the installation place is in good safety condition before installing the fixture.
- Make sure to put the safety chain and check whether the screws are screwed properly when installing the fixture.
- Make sure the lens are in good condition.It's recommended to replace the units if there are any damages or severe scratch.
- Make sure the fixture is operated by qualified personnel who knows the fixture before using.
- Keep the original packages if any second shipment is needed.
- Don't try to change the fixtures without any instruction by the manufacturer or the appointed repairing agencies.
- It is not in warranty range if there are any malfunctions from not following the user manual to operate or any illegal operation, like shock short circuit, electronic shock , lamp broke, etc.

6. INSTALLATIONS

Cautions:

For added protection mount the fixtures in areas outside walking paths, seating areas, or in areas where the fixture might be reached by unauthorized personnel.

Before mounting the fixture to any surface, make sure that the installation area can hold a minimum point load of 10 times the device's weight.

Fixture installation must always be secured with a secondary safety attachment, such as an appropriate safety cable.

Never stand directly below the device when mounting, removing, or servicing the fixture.

from a ceiling, or set on a flat level surface (see illustration below). Be sure this fixture is kept at least 0.5m (1.5 f t) away from any flammable materials (decoration etc.).

Always use and install the supplied safety cable as a safety measure to prevent accidental damage and/or injury in the event the clamp fails.

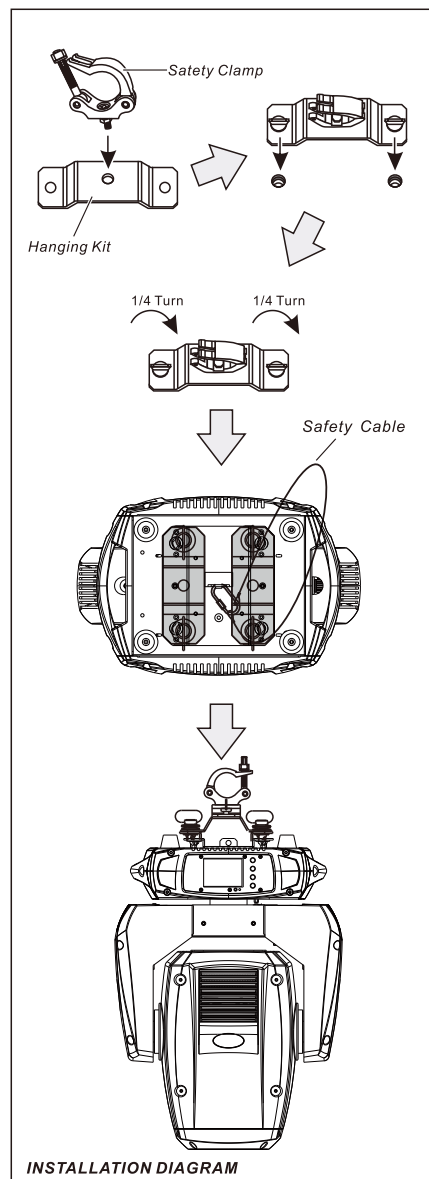
Mounting points:

Overhead mounting requires extensive experience, including amongst others calculating working load limits, a fine knowledge of the installation material being used, and periodic safety inspection of all installation material and the fixture. If you lack these qualifications, do not attempt the installation yourself. Improper installation can result in bodily injury.

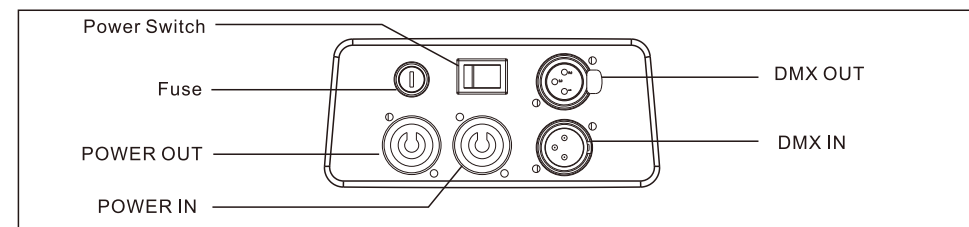
Be sure to complete all rigging and installation procedures before connecting the main power cord to the appropriate wall outlet.

Clamp Mounting:

FOS Scorpio BSW HP provides a unique mounting bracket assembly that integrates the bottom of the base, and the safety cable rigging point in one unit (see the illustration below). When mounting this fixture to truss be sure to secure an appropriately rated clamp to the included omega bracket using a M10 screw fitted through the center hole of the "Hanging Kit". As an added safety measure be sure to be attached at least one properly rated safety cable to the fixture using one of the safety cable rigging points integrated in the base assembly.



7. CONTROL CONNECTION



Connect the provided XLR cable to the female 3-pin XLR output of your controller and the other side to the male 3-pin XLR input of the moving head. You can chain multiple Moving head together through serial linking. The cable needed should be two core, screened cable with XLR input and output connectors. Please refer to the diagram below. DMX-512 connection with DMX terminator.

For installations where the DMX cable has to run a long distance or is in an electrically noisy environment, such as in a discotheque, it is recommended to use a DMX terminator. This helps in preventing corruption of the digital control signal by electrical noise. The DMX terminator is simply an XLR plug with a 33 resistor connected between pins 2 and 3, which is then plugged into the output XLR socket of the last fixture in the chain. Please see illustrations below.

