

Technical Manual



JBL PRX635/230

SPECIFICATIONS

ACOUSTIC & ELECTRICAL SPECIFICATIONS:

- Frequency Response (± 3 dB):
 - Flat: 53 Hz – 18 kHz
 - Boost: 50 Hz – 18 kHz
- Frequency Range (-10 dB):
 - Flat: 41 Hz – 19 kHz
 - Boost: 40 Hz – 19 kHz
- Maximum SPL Output: 135 dB peak
- Input Impedance: 20K ohms (balanced), 10K (unbalanced)
- Crossover Frequency: 1.8 kHz

SYSTEM COMPONENTS:

- Cabinet: Enclosure (Not For Sale)
- Grille: 444816-001
- Low Frequency Driver: 265F-1, 380 mm (15 in) Differential Drive® dual voice-coil and magnetic gap, neodymium woofer
 - D.C. Resistance: 1.35 ohm +/- 10%
- Mid Frequency Driver: 195H, 165 mm (6.5 in) horn-loaded midrange transducer
 - D.C. Resistance: 5.2 ohms +/- 10%
- High Frequency Driver: 2414H-1, 25.4 mm (1 in) annular polymer diaphragm, neodymium compression driver
 - D.C. Resistance: 3.60 ohm +/- 0.2 ohm

AURAL SWEEP TEST SPECIFICATIONS:

- A. System. Aural Sweep Test: 0.2V Input, 50 Hz to 20 kHz
Knob Fully CW/Line and Flat Selected
- B. L.F. Aural Sweep Test: 3.5V Input, 10 Hz to 300 Hz
- C. M.F. Aural Sweep Test: 4V Input, 50 Hz to 500 Hz
- D. H.F. Aural Sweep Test: 0.75V Input, 500 Hz to 1.5 kHz

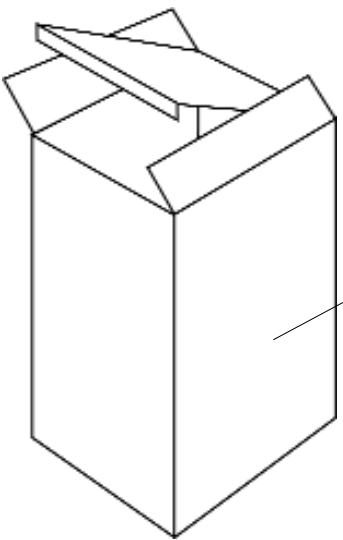
PHYSICAL SPECIFICATIONS:

- Enclosure Dimensions: 921 x 429 x 413 mm D
(36.29 x 16.9 x 16.27 in. D)
- Net Weight: 60 lb (27.2 kg)

WARRANTY INFORMATION:

- Refer to Warranty Statement packed with each product.

PACKAGE



Warranty Card
59660

Manual
444833-001

Carton
444898-001

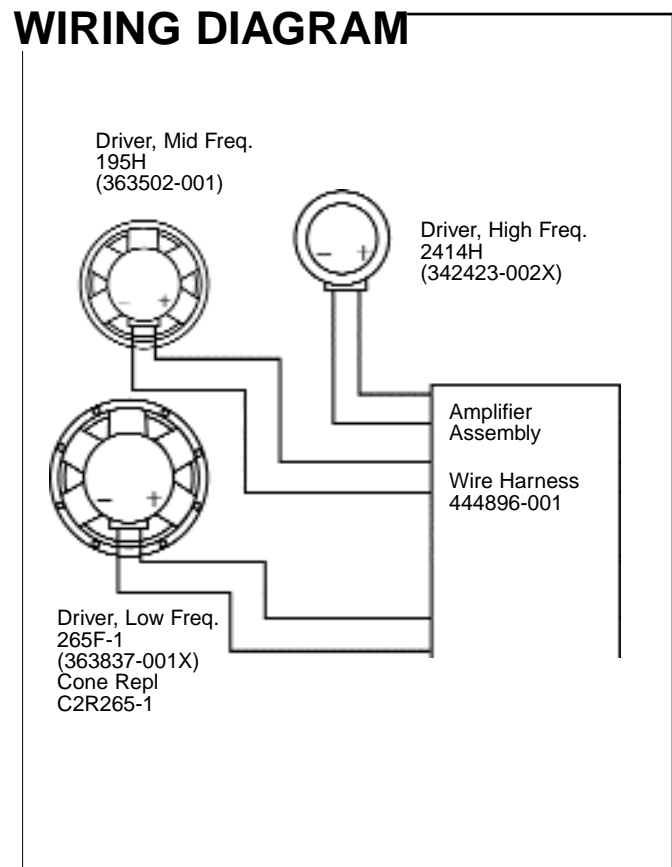
Filler, (2)
444894-001

PKG, Microfoam (4)
49790P

Cord, AC, Line, 120V
425-00000-00

Cord, AC, Line, 230V
425-00000-01

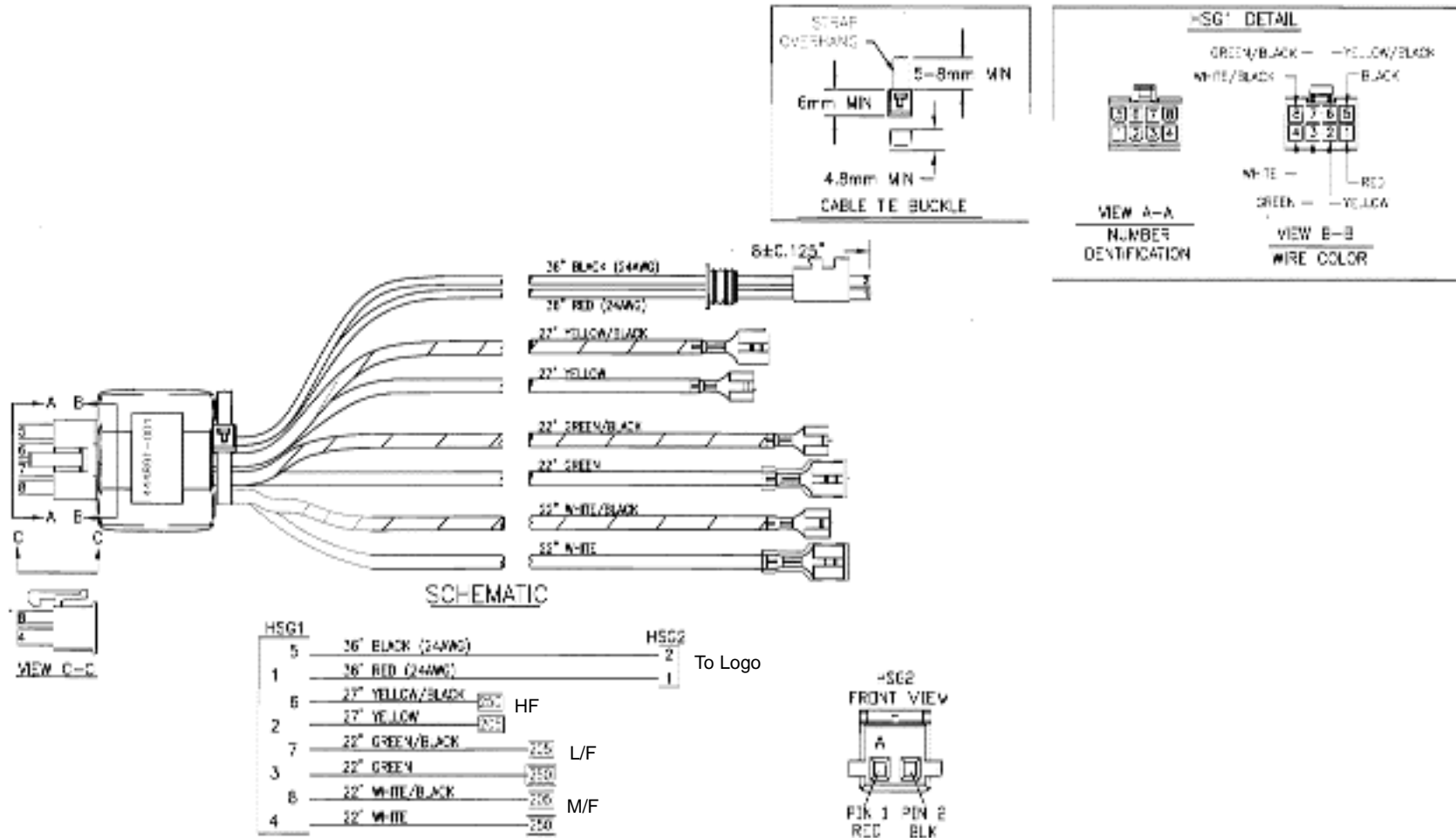
WIRING DIAGRAM



JBL PRX635M/230

SCHEMATIC DIAGRAM (444896-001)

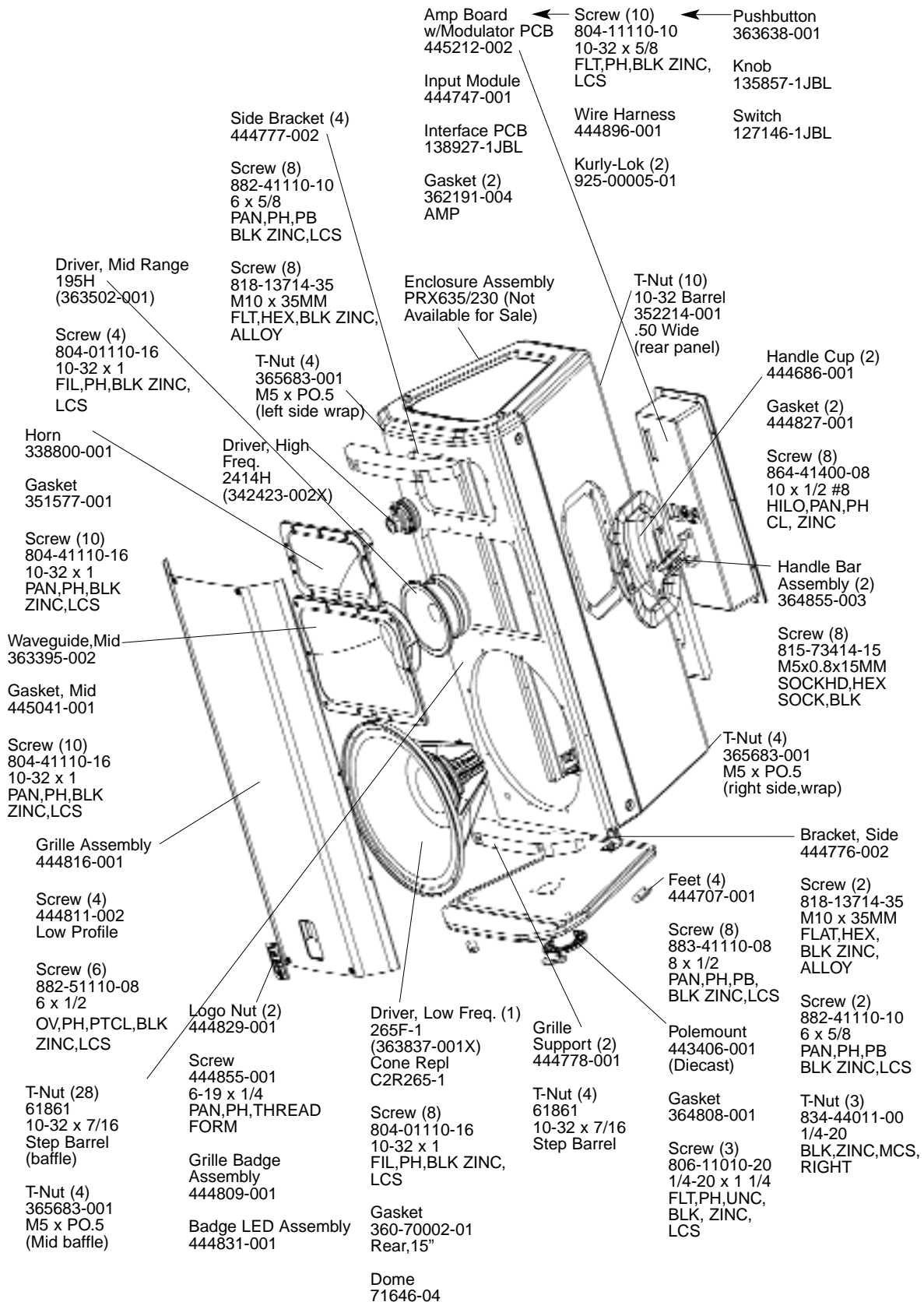
Wire Harness Assembly



JBL PRX635M/230

JBL PRX635/230

COMPONENT EXPLODED VIEW



JBL PRX635/230