

CR (STEALTHBAR)

DESKTOP PC SOUNDBAR w/ BLUETOOTH®

OWNER'S MANUAL



Important Safety Instructions

1. Read these instructions.
2. Keep these instructions.
3. Heed all warnings.
4. Follow all instructions.
5. Do not use this apparatus near water.
6. Clean only with a dry cloth.
7. Do not block any ventilation openings.
Install in accordance with the manufacturer's instructions.
8. Minimum distance (5 cm) around the apparatus for sufficient ventilation.
9. Do not install near any heat sources such as radiators, heat registers, stoves, or other apparatus (including amplifiers) that produce heat.
10. No naked flame sources, such as lighted candles, should be placed on the apparatus.
11. Do not defeat the safety purpose of the polarized or grounding-type plug. A polarized plug has two blades with one wider than the other. A grounding-type plug has two blades and a third grounding prong. The wide blade or the third prong are provided for your safety. If the provided plug does not fit into your outlet, consult an electrician for replacement of the obsolete outlet.
12. Protect the power cord from being walked on or pinched particularly at plugs, convenience receptacles, and the point where they exit from the apparatus.
13. Only use attachments/accessories specified by the manufacturer.
14. Use only with a cart, stand, tripod, bracket, or table specified by the manufacturer, or sold with the apparatus. When a cart is used, use caution when moving the cart/apparatus combination to avoid injury from tip-over.
15. Unplug this apparatus during lightning storms or when unused for long periods of time.
16. Refer all servicing to qualified service personnel. Servicing is required when the apparatus has been damaged in any way, such as power-supply cord or plug is damaged, liquid has been spilled or objects have fallen into the apparatus, the apparatus has been exposed to rain or moisture, does not operate normally, or has been dropped.
17. This apparatus shall not be exposed to dripping or splashing, and no object filled with liquids, such as vases or beer glasses, shall be placed on the apparatus.
18. Do not overload wall outlets and extension cords as this can result in a risk of fire or electric shock.
19. Explanation of symbol, marking, signal lamp or similar means indicates that the apparatus is completely disconnected from the mains.
20. **WARNING:** Please refer to the information on exterior bottom enclosure for electrical and safety information before installing or operating the apparatus.



21. **NOTE:** This equipment has been tested and found to comply with the limits for a Class B digital device, pursuant to part 15 of the FCC Rules. These limits are designed to provide reasonable protection against harmful interference in a residential installation.

This equipment generates, uses, and can radiate radio frequency energy and, if not installed and used in accordance with the instructions, may cause harmful interference to radio communications. However, there is no guarantee that interference will not occur in a particular installation.

If this equipment does cause harmful interference to radio or television reception, which can be determined by turning the equipment off and on, the user is encouraged to try to correct the interference by one or more of the following measures:

- Reorient or relocate the receiving antenna.
- Increase the separation between the equipment and the receiver.
- Connect the equipment into an outlet on a circuit different from that to which the receiver is connected.
- Consult the dealer or an experienced radio/TV technician for help.

CAUTION: Changes or modifications to this device not expressly approved by LOUD Audio, LLC. could void the user's authority to operate the equipment under FCC rules.

22. This apparatus does not exceed the Class B limits for radio noise emissions from digital apparatus as set out in the radio interference regulations of the Canadian Department of Communications.

Canada ICES-003(B)/NMB-003(B)

ATTENTION — *Le présent appareil numérique n'émet pas de bruits radioélectriques dépassant les limites applicables aux appareils numériques de class A/de class B (selon le cas) prescrites dans le règlement sur le brouillage radioélectrique édicté par les ministere des communications du Canada.*

23. This device complies with Part 15 of the FCC Rules [and contains license-exempt transmitter(s)/receiver(s) that comply with Innovation, Science and Economic Development Canada's license-exempt RSS(s)]. Operation is subject to the following two conditions:
(1) this device may not cause harmful interference, and
(2) this device must accept any interference received, including interference that may cause undesired operation.

L'émetteur/récepteur exempt de licence contenu dans le présent appareil est conforme aux CNR d'Innovation, Sciences et Développement économique Canada applicables aux appareils radio exempts de licence. L'exploitation est autorisée aux deux conditions suivantes:

- (1) l'appareil ne doit pas produire de brouillage, et
- (2) l'appareil doit accepter tout brouillage radioélectrique subi, même si le brouillage est susceptible d'en compromettre le fonctionnement.

24. RF Power: <10dB
Bluetooth Version: 5.0
Bluetooth frequency range: 2400 – 2483.5 MHz

25. Exposure to extremely high noise levels may cause permanent hearing loss. Individuals vary considerably in susceptibility to noise-induced hearing loss, but nearly everyone will lose some hearing if exposed to sufficiently intense noise for a period of time.
The U.S. Government's Occupational Safety and Health Administration (OSHA) has specified the permissible noise level exposures shown in the following chart.

According to OSHA, any exposure in excess of these permissible limits could result in some hearing loss. To ensure against potentially dangerous exposure to high sound pressure levels, it is recommended that all persons exposed to equipment capable of producing high sound pressure levels use hearing protectors while the equipment is in operation. Ear plugs or protectors in the ear canals or over the ears must be worn when operating the equipment in order to prevent permanent hearing loss if exposure is in excess of the limits set forth here:

| Duration, per day in hours | Sound Level dBA, Slow Response | Typical Example |
|----------------------------|--------------------------------|--|
| 8 | 90 | Duo in small club |
| 6 | 92 | |
| 4 | 95 | Subway Train |
| 3 | 97 | |
| 2 | 100 | Very loud classical music |
| 1.5 | 102 | |
| 1 | 105 | Rob screaming at Jayme about deadlines |
| 0.5 | 110 | |
| 0.25 or less | 115 | Loudest parts at a rock concert |

WARNING — To reduce the risk of fire or electric shock, do not expose this apparatus to rain or moisture.

CAUTION – These servicing instructions are for use by qualified service personnel only. To reduce the risk of electric shock, do not perform any servicing other than that contained in the operating instructions unless you are qualified to do so.

Laitte on liitettävä suojakoskettimilla varustettuun pistorasiaan.

Apparatet stikprop skal tilsluttes en stikkontakt med jord, som giver forbindelse til stikproppens jord.

Apparatet må tilkoples jordet stikkontakt.

Apparaten skall anslutas till jordat uttag.



Correct disposal of this product: This symbol indicates that this product should not be disposed of with your household waste, according to the WEEE directive (2012/19/EU) and your national law. This product should be handed over to an authorized collection site for recycling waste electrical and electronic equipment (EEE). Improper handling of this type of waste could have a possible negative impact on the environment and human health due to potentially hazardous substances that are generally associated with EEE. At the same time, your cooperation in the correct disposal of this product will contribute to the effective usage of natural resources. For more information about where you can drop off your waste equipment for recycling, please contact your local city office, waste authority, or your household waste disposal service.

Contents

- Important Safety Instructions2
- Contents3
- Features3
- Introduction4
- Getting Started4
- Hookup Diagrams5
- CR StealthBar: Front Panel Features7
 - 1. Power / Volume / Mute.....7
 - 2. Phones Output7
 - 3. Running Man Bluetooth Button / LED7
- CR StealthBar: Rear Panel Features8
 - 4. Power Connector8
 - 5. USB I/O8
 - 6. 1/8" Stereo Input Jack9
 - 7. 1/8" Output Jack9
 - Adjustable Feet9
- CR StealthBar: Side Panel Features9
 - 8. EQ Preset Switch9
 - 9. Input Selector Switch and LEDs10
- Appendix A: Service Information11
- Appendix B: Technical Information13
- CR StealthBar Dimensions.....13
- Magnitude Response Graph.....14
- Limited Warranty15

Features

Compact desktop design fits perfectly under most monitors

Legendary Mackie acoustic design and tuning

3 selectable sound-enhancing presets

- Music
- Voice
- Game

Mute control

USB connectivity for Mac/PC

1/8" Stereo input

Bluetooth® connectivity

1/8" Stereo output

Swappable feet for height adjustment

Please write the serial numbers here for future reference (i.e., insurance claims, tech support, return authorization, make dad proud, etc.)

Purchased at:

Date of purchase:



Part No. SW1348 Rev. A 08/21

©2021 LOUD Audio, LLC. All Rights Reserved.

Introduction

Can't fit traditional speakers on your computer desk but still want high-quality sound? CR StealthBar is built just for you.

Delivering crystal-clear, punchy sound in a compact soundbar design for your desk. Featuring 3 tone presets, you can tailor CR StealthBar to sound how you want with the push of a button.

Use it as your soundcard via USB or go wireless with Bluetooth® plus it's got a stereo Aux input for virtually any device with a headphone output.

CR StealthBar also makes it easy to tuck it under your monitor and route cables with adjustable-height feet. It's perfect for gaming, music, content creation, and more.

How to Use This Manual:

After this introduction, a getting started guide will help you get things set up fast. The hookup diagrams show some typical setups, while the remaining sections provide details of the CR StealthBar.



This icon marks information that is critically important or unique to the CR StealthBar. For your own good (and our peace of mind), please read and remember them. You will be quizzed later.



There's an illustration of a microscope, so, of course, you're going to get more detailed information when you see this little guy. There are explanations of features and practical tips listed here.



It's a good idea to pay attention to text displayed next to a note icon, as this icon draws attention to certain features and functions relating to the usage of the CR StealthBar.

Getting Started

We realize that you can't wait to hook up your CR StealthBar and try it out. Nevertheless, please take the time to read this page **NOW**, and the rest can wait until you're good and ready.

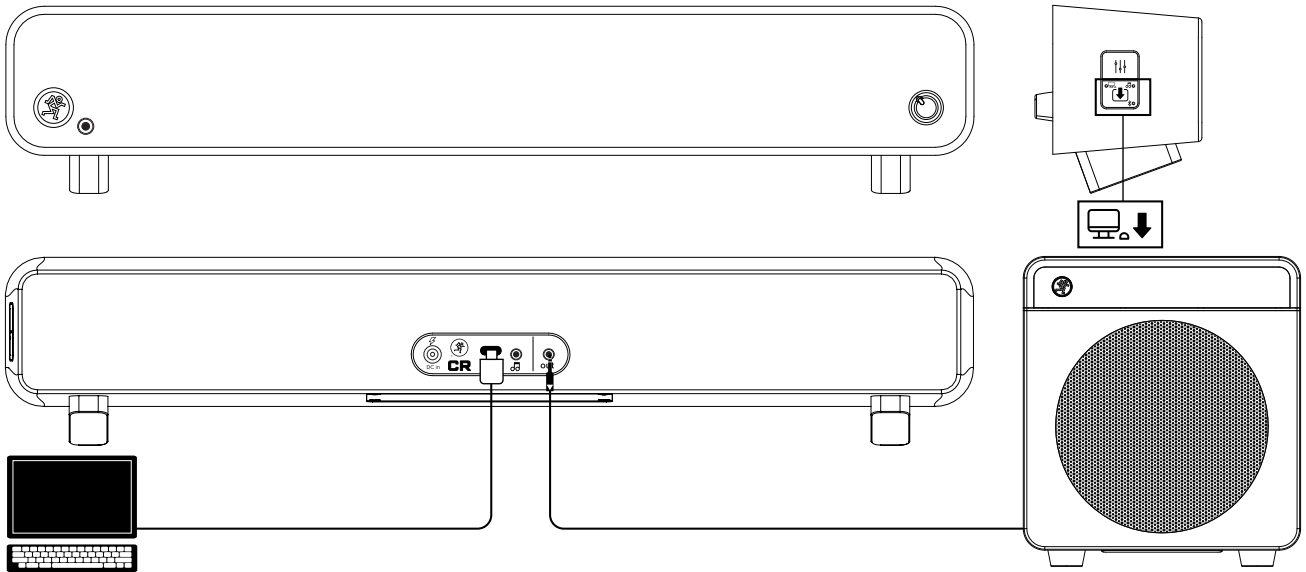
1. Turn the volume control down (fully counter-clockwise) before turning the unit on for the first time.
2. Push the included line cord securely into the CR StealthBar's power connector and plug the other end into an AC outlet.
3. Connect the line-level monitor signal from your computer or other line-level signal source to the input jacks (USB-C or 1/8").
...AND / OR...
...Connect your device via Bluetooth [instructions on pages 7-8]...
4. Turn the front panel volume control clockwise until the CR StealthBar "clicks" on and the ring surrounding the Running Man illuminates.
5. Confirm that the input selector switch has the correct input selected.
6. Play an audio file and slowly raise the input and output volume knobs to a comfortable listening level.

If you desire a more thorough walk-through of the CR StealthBar, there is a wealth of information in the following pages!

Additional Tidbits of Wisdom

- Never listen to loud music for prolonged periods. Please see the Safety Instructions on page 2 for information on hearing protection.
- Save the sales receipt and original packaging in case you ever need warranty service.

Hookup Diagrams



This is a typical use for CR StealthBar. This would be a prime example of utilizing it for gaming. Make sure the CR StealthBar is positioned for your setup, including the angle; see 'Adjustable Feet' on page 9 for more information.

A gaming computer is connected to CR StealthBar using the included USB-C to USB-A cable.

Next, make sure that the input selector switch is set to USB. Additionally, we would suggest setting the EQ preset switch to... <drum roll>... game, of course! You're gaming... or will be quite soon!

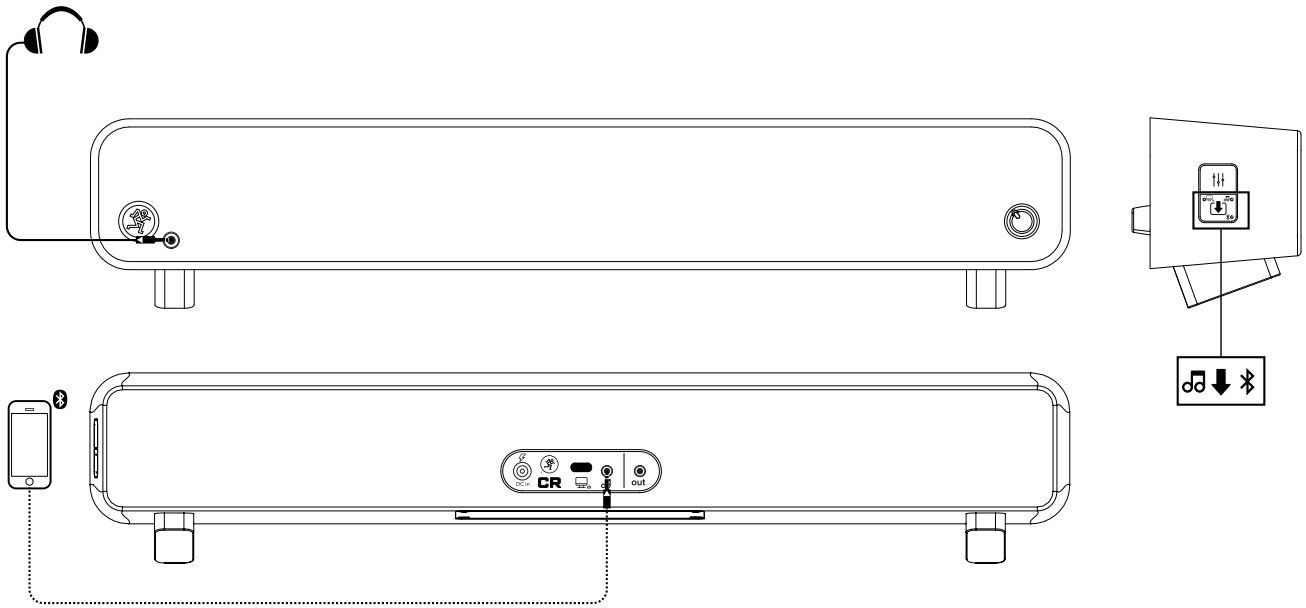
Now play audio through the computer, making sure that the volume of the computer and CR StealthBar are above "0". Once you hear audio, simply adjust volume to taste!

Note: This is also the type of setup that would be perfect for binge-watching your favorite shows, classic movies or diving into a rabbit hole of instructional YouTube clips. Hook everything up as stated above, but set the EQ preset switch to voice.

Optional: As shown above, a CR8S-XBT subwoofer is connected to the CR StealthBar's 1/8" stereo output jack. This would also work with any sized CR-X or CR-XBT monitors. Just imagine what your games and movies would sound like with one of these setups. Now stop imagining and go dial it up!

Optional: Plugging a pair of headphones into the 1/8" headphones jack auto-defeats the speaker output. The front panel volume control then controls the level going to the phones.

Hookup Diagrams continued...



The illustration above shows another typical use for CR StealthBar. This would be a prime example of utilizing it to play music. Make sure the CR StealthBar is positioned for your setup, including the angle; see 'Adjustable Feet' on page 9 for more information.

Here a phone is connected to CR StealthBar via Bluetooth, although it can also be "hardwired" into the 1/8" stereo input jack using the included 1/8" to 1/8" cable. Both options are on display here.

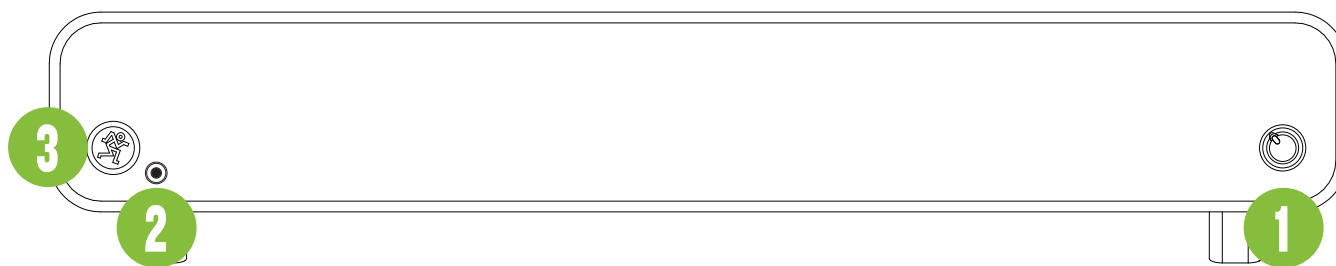
Next, make sure that the input selector switch is set to either Bluetooth or 1/8" / Aux, depending on how the phone is connected, of course. Additionally, we would suggest setting the EQ preset switch to music.

Now play audio through the phone, making sure that the volume of the phone and CR StealthBar are above "0". Once you hear audio, simply adjust volume to taste!

Optional: Is there someone who doesn't like what you're listening to? Well, first off, they're wrong. That's a given. There is a solution, though. Plugging a pair of headphones into the 1/8" headphones jack auto-defeats the speaker output. The front panel volume control then controls the level going to the phones.

Music Playback

CR StealthBar: Front Panel Features



1. Power Switch / Volume Knob / Mute Switch

We're so crafty that we'll start off with one feature that handles three different functions.

For starters, this is the power switch. Simply turn it clockwise until the CR StealthBar "clicks" on. However, make sure this knob is off [fully counter-clockwise] before turning it on so you're not immediately blasted with music!

The second – and perhaps most important – function of this feature is that it adjusts the overall output level. CR StealthBar expects a line-level signal at its input. Use this control to adjust the sensitivity of the input section according to the signal strength at its input. Refer to the Quick Start section on page 4 for the level-setting procedure.

Lastly, this feature also acts as a mute switch. A mute switch does just what it sounds like it does. It turns off the signal by "routing" it into oblivion. Engaging the mute switch (almost) provides the same result as turning the volume knob all the way down... but why not leave the volume level where it is and just push to mute / un-mute? Easy peasy! The ring surrounding the Running Man logo on the front panel illuminates red when the CR StealthBar is muted.

2. Phones Output

This 1/8" TRS connector supplies the output to stereo headphones. The volume is controlled with the volume knob. The signal to the power amp is killed when headphones are connected.

The phones output is wired as follows, according to standards specified by the AES (Audio Engineering Society):

Stereo 1/8" TRS

Sleeve = Shield (Ground)

Tip = Left Channel

Ring = Right Channel



Warning: The headphone amp is loud and could cause permanent hearing damage. Even intermediate levels may be painfully loud with some headphones. **BE CAREFUL!**

Always turn the volume knob all the way down before connecting headphones. Then turn it up slowly as you listen carefully.

3. Running Man Bluetooth Button / LED

The ring surrounding the Running Man logo on the front panel illuminates white when (1) the CR StealthBar is plugged into a live AC outlet, (2) the front panel power / volume control is turned clockwise until the CR StealthBar is "clicked" on and (3) the input selector switch is set to USB or 1/8" / aux.

The logo isn't just for pretty looks and LED illumination, though... it's also how to connect your device to the CR StealthBar via Bluetooth! Read on...

Upon powering up the CR StealthBar, the Bluetooth function is either:

(1) In sleep mode. See 'Pairing and connecting for the first time' (below) or...

(2) ...Paired and connected. See 'Previously paired and connected devices' (next page).

Pairing and connecting for the first time:

There are two possible ways to pair and connect a device to a CR StealthBar.

BLUETOOTH CONNECTION #1:

Either (1) change the input selector switch to Bluetooth. The ring surrounding the button will illuminate and flash green while in pairing mode. [The LED will continue to flash until it has successfully paired and connected].

While CR StealthBar is in pairing mode, simultaneously scan for Bluetooth devices on the device. You should see 'StealthBar' appear in the list of "available devices". Select it by tapping it. From there, your Bluetooth device should indicate that it is successfully connected. Additionally, the Bluetooth button will stop flashing and remain solid green. If it does not, start the pairing process again, and make sure that the CR StealthBar and device are both in pairing mode at the same time.

...OR...

BLUETOOTH CONNECTION #2:

...(2) press and release the Running Man logo – it doubles as the Bluetooth button! The ring surrounding the button will remain solid white, but it IS in pairing mode.

Front Panel features continued...

While CR StealthBar is in pairing mode, simultaneously scan for Bluetooth devices on the device. You should see 'StealthBar' appear in the list of "available devices". Select it by tapping it. From there, your Bluetooth device should indicate that it is successfully connected. The Bluetooth button will remain solid white until the input selector switch is changed to Bluetooth, in which case the ring surrounding the button will turn green.

Previously paired and connected devices:

The Bluetooth connection will disconnect if it's out of range. Previously paired and connected devices will automatically reconnect and the Running Man logo / Bluetooth button will illuminate (if the volume knob is at least clicked on).



While your Bluetooth device is connected to a CR StealthBar, you can quickly press the Bluetooth button on the front of the unit to pause/play your audio (the same as if you'd pressed pause/play on your device).

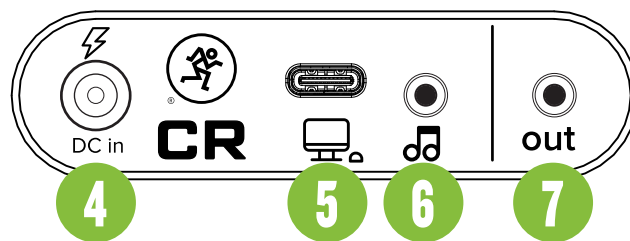


To drop the device from being paired with the CR StealthBar, press and hold the Bluetooth button down for at least three seconds.



The Bluetooth may disconnect when affected by Electrostatic Discharge [ESD]. Manually reconnect the Bluetooth connection.

CR StealthBar: Rear Panel Features



4. Power Connector

CR StealthBar has a universal external power supply that accepts any AC voltage ranging from 100 VAC to 240 VAC. No need for voltage select switches. It will work virtually anywhere in the world. That's why we call it a "Planet Earth" power supply! It is less susceptible to voltage sags or spikes compared to conventional power supplies, and provides greater electromagnetic isolation and better protection against AC line noise.

Attach the AC connector (the small piece that plugs into the wall) to the power supply adapter (the big piece with the cable that plugs into the CR StealthBar). Here's how: line up the tabs of the AC connector with the open slots of the power supply adapter. The AC connector should be lined up at about 11:00am for the tabs to align. Now push down and rotate clockwise until it "clicks" into place. It only fits one way, so do not force it if at first you don't succeed!

The power supply adapter may be connected to the CR StealthBar by pushing it into the power receptacle on the rear panel and plugging the other end into a live AC outlet.

You should never have to remove the AC connector from the power supply adapter, but if so inclined, here's how: when looking at the plug – cable side towards you – push and hold the spring switch down. It's located in the middle-left. While holding the spring switch down, rotate the AC connector counter-clockwise until it is unlocked and may be removed.



Only use the factory-authorized power supply that came with the CR StealthBar.

5. USB I/O

Since the CR StealthBar is a "Desktop PC Soundbar," the USB connection will (most likely) be one of the most widely used features. In short, it is an interface that allows audio to stream to and from the CR StealthBar via computer.

This is the connection that will be used for gaming, watching movies and fun cat videos, playing music or just about any other sound that is emitted from your computer.

Rear Panel features continued...

Connect the USB-C side of a USB cable to the CR StealthBar and the USB-A side to the computer's USB port.

Don't forget to change the output to 'CR StealthBar' via Settings on your computer.



CR StealthBar's USB connection is audio only. It is not a source of power.

6. 1/8" Stereo Input Jack

Connect a line-level signal from a smartphone, MP3 player or other signal source to this input jack using an unbalanced 1/8" connector.

It is wired as follows, according to standards specified by the AES (Audio Engineering Society):

Stereo 1/8" TRS

- Sleeve = Shield (Ground)
- Tip = Left Channel
- Ring = Right Channel

7. 1/8" Output Jack

This 1/8" stereo output jack connects to the input of a powered subwoofer or powered monitors. The signal at this output is a direct copy of the input signal.

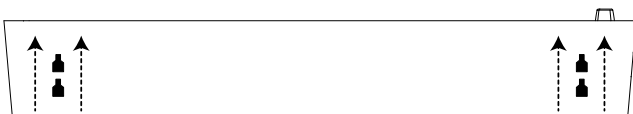
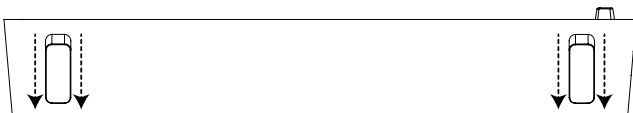
It shouldn't come as any surprise that we would highly recommend the CR8S-XBT subwoofer – see the hookup diagram on page 5 – and/or any sized CR-X / CR-XBT monitors. Check the Mackie website for more information!

Adjustable Feet

On the bottom of CR StealthBar are angled feet. These may be removed or replaced so the setup may be tilted perfectly for your situation: no tilt (0°), 8° or 15°.

Here's how to change the feet. Unplug CR Stealthbar and place it on a flat surface, bottom-side up. [The volume knob will be on the right side].

"Pull" the foot towards you until it's "released" and may be lifted up and out. Follow this same step for the other foot.



Place the new foot in the open holes and "push" forward until it's "locked" in place. Follow this same step for the other foot.

CR StealthBar: Side Panel Features

8. EQ Preset Switch

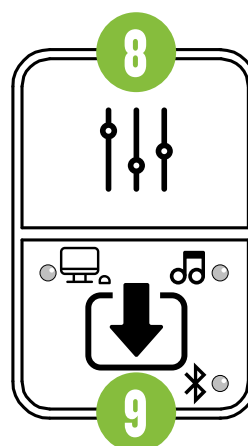
This is a momentary switch that cycles between unique EQ modes: Music, Voice and Game.

Just press this switch repeatedly to cycle between the EQ presets. A voice prompt announces which EQ is currently selected.

- **MUSIC EQ MODE** – This mode features an upper bass parametric scoop to reduce unwanted low frequency color and adds boost to upper mid-range and high frequencies.
- **VOICE EQ MODE** – This mode is perfect for applications where the desired output is increased clarity and detail of intelligible speech at low volumes.
- **GAME EQ MODE** – This mode is full range, but focuses on increased bass and brilliant high frequencies. This is the setting that gamers will want to select when saving the world from the zombie apocalypse.
- **À LA MODE** – This mode features any of the aforementioned EQ preset modes, but with a scoop of ice cream.



The high frequency rolloff for all three EQ modes is 18 kHz.



Side Panel features continued...

9. Input Selector Switch and LEDs

This is a momentary switch that cycles between the three input choices: USB, 1/8" and Bluetooth.

Just press this switch repeatedly to cycle between the input selections. Each input selection is accompanied by a different colored LED.

- **USB [Red]** – More information on page 8.
- **1/8" / Aux [Yellow]** – More information on page 9.
- **Bluetooth [Blue]** – More information on pages 7-8.



All inputs may be connected simultaneously, but only one input may be selected at a time. There are no issues when switching between sources.

This includes a device connected via Bluetooth. Switching the source selection away from a connected device (Bluetooth) to USB or 1/8" / Aux and back again will not disrupt the Bluetooth connection, for example.

Appendix A: Service Information

If you think your CR StealthBar has a problem, please check out the following troubleshooting tips and do your best to confirm the problem. Visit the Support section of our website (www.mackie.com/support) where you will find lots of useful information such as FAQs and other documentation. You may find the answer to the problem without having to part with your CR StealthBar.

Troubleshooting

No power

- Make sure the power cord is plugged all the way into the AC outlet.
- Our favorite question: Is it plugged in? Make sure the AC outlet is live [check with a tester or lamp].
- Our next favorite question: Is the power switch on? Gotcha. There is no power switch, but...
- Is the front panel volume control “clicked” on? The power is on only when the front panel volume control is not fully counter-clockwise.
- Is the Running Man LED on the front panel illuminated?
If not, make sure the AC outlet is live.
If so, refer to “No sound” below.
- The internal AC line fuse may be blown. This is not a user serviceable part. If you suspect the AC line fuse is blown, please see the “Repair” section next.

No sound

- Is the level knob for the input source turned all the way down? Verify that all the volume controls in the system are properly adjusted.
- Is the signal source turned up? Make sure the signal level from the computer, mixer, MP3 player, phone (or whatever device immediately precedes the CR StealthBar) is high enough to produce sound.

Poor sound

- Is it loud and distorted? Make sure that you're not overdriving a stage in the signal chain. Verify that all level controls are set properly.
- Are the input connectors plugged completely into the jacks? Be sure all connections are secure.
- If possible, listen to the signal source with headphones plugged into the preamp stage. If it sounds bad there, it's not the CR StealthBar.
- Too much bass or not enough bass? The first (and easiest) suggestion is to switch between EQ modes to see if that solves the issue. If not, move around the room and see if the bass response changes. It's possible your listening position coincides with a room mode where the low frequencies either become exaggerated or nulled. If so, try moving the CR StealthBar to a different position, or moving your listening position.

Noise / Hum / Buzz

- Check the signal cable between the computer/mixer/MP3 player/phone and the CR StealthBar. Make sure all connections are secure. These problems usually produce crackling noises, hum, or buzz.
- Make sure the signal cable is not routed near AC cables, power transformers, or other EMI sources (including wall warts and line lumps!). These sources usually produce hum.
- Is there a light dimmer or other triac-based device on the same AC circuit as the CR StealthBar? Dimmers cause buzzing noises. Use an AC line filter or plug the monitor into a different AC circuit.
- Excessive hiss is an indication of an incorrect gain setting somewhere before the speaker.
- If possible, listen to the signal source with headphones plugged in. If it sounds noisy there, it's not the CR StealthBar.
- Try disconnecting the cable connected to the input jack. If the noise disappears, it could be a “ground loop,” rather than a problem with the CR StealthBar. Try some of the following troubleshooting ideas:
 - Use balanced connections throughout your system for the best noise rejection.
 - Whenever possible, plug all the audio equipment's line cords into outlets which share a common ground. The distance between the outlets and the common ground should be as short as possible.

Bluetooth or Other Issues

- Please email or call Technical Support if you are having Bluetooth or any other issue not listed here:
 - o mackie.com/support-contact
 - o 1-800-898-3211

Repair

For warranty service, refer to the warranty information on page 15.

Non-warranty service is available at a factory-authorized service center. To locate the nearest service center, visit www.mackie.com/support/service-locator. Service for a CR StealthBar living outside the United States may be obtained through local dealers or distributors.

If you do not have access to our website, please call our Tech Support department at 1-800-898-3211 (normal business hours, Pacific Time), to explain the problem. They will tell you where the nearest factory-authorized service center is located in your area.

Appendix B: Technical Information

CR StealthBar Specifications

Acoustic Performance

| | |
|-----------------------------|----------------|
| Frequency Response (-10 dB) | 67 Hz – 20 kHz |
| Horizontal Coverage Angle | 45° |
| Vertical Coverage Angle | 90° |
| Maximum SPL Peak | 100 dB |
| Dynamic Range | >105 dB |
| Signal-to-Noise Ratio | <-85 dB |
| Monitor Angle | 8° / 15° |

Transducers

| | |
|----------------|--|
| High Frequency | 2x 2.5 in / 64 mm Full-Range Transducers 2x Passive Radiators |
|----------------|--|

Amplifiers

| | |
|-------------|---------------|
| Rated Power | 50 watts peak |
| Design | Class D |

Input / Output

| | |
|-------------|---|
| Input Type | 1/8" / USB-C / Bluetooth |
| Output Type | 1/8" Stereo Headphones 1/8" Stereo TRS |

Bluetooth Information

| | |
|--------------------|-----------------|
| Bluetooth Protocol | 5.0 |
| Bluetooth Function | Audio Streaming |

Bit Depth / Sample Rate

| | |
|-------------|---------------------------|
| Bit Depth | 16 / 24-bit |
| Sample Rate | 44.1 / 48 / 88.2 / 96 kHz |

Power Requirements

| | |
|---------------|--|
| CR StealthBar | 100-240V @ 0.8A, 50-60 Hz, 12V @ 3.0A |
|---------------|--|

Construction Features

| | |
|-----------------------|--|
| Basic Design | Rectangular |
| Display LED | Power ring (surrounding the Running Man logo) |
| Operating Temperature | 0 – 40 °C 32 – 104 °F |

Physical Properties

| | |
|---------|------------------|
| Height: | 4.3 in / 102 mm |
| Width: | 18.7 in / 475 mm |
| Depth: | 3.0 in / 76 mm |
| Weight: | 4.3 lb / 2.0 kg |

Disclaimer

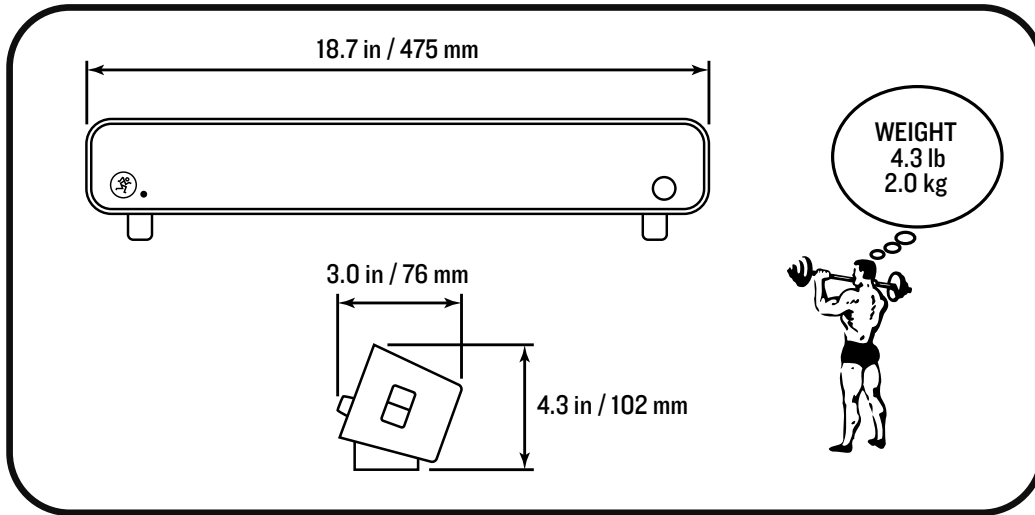
Since we are always striving to make our products better by incorporating new and improved materials, components, and manufacturing methods, we reserve the right to change these specifications at any time without notice.

The "Running Man" figure is a registered trademark of LOUD Audio, LLC.

All other brand names mentioned are trademarks or registered trademarks of their respective holders, and are hereby acknowledged.

©2021 LOUD Audio, LLC.
All Rights Reserved.

CR StealthBar Dimensions



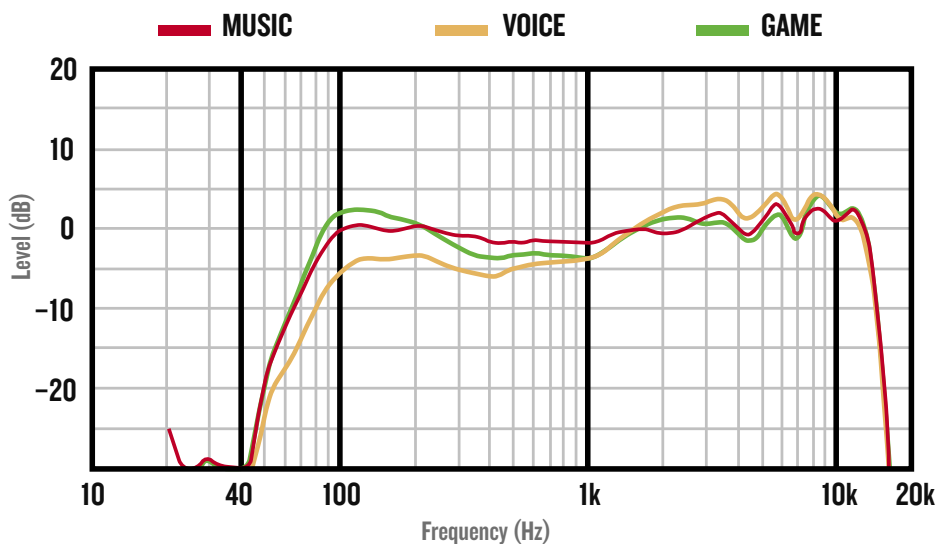
CR StealthBar Magnitude Response Legend

MUSIC EQ Mode – This mode features an upper bass parametric scoop to reduce unwanted low frequency color and adds boost to upper mid-range and high frequencies.

VOICE EQ Mode – This mode is perfect for applications where the desired output is increased clarity and detail of intelligible speech at low volumes.

GAME EQ Mode – This mode is full range, but focuses on increased bass and brilliant high frequencies. This is the setting that gamers will want to select when saving the world from the zombie apocalypse.

CR StealthBar Magnitude Response Graph



Limited Warranty

Please keep your sales receipt in a safe place.

This Limited Product Warranty ("Product Warranty") is provided by LOUD Audio, LLC ("LOUD") and is applicable to products purchased in the United States or Canada through a LOUD-authorized reseller or dealer. The Product Warranty will not extend to anyone other than the original purchaser of the product (hereinafter, "Customer," "you" or "your").

For products purchased outside the U.S. or Canada, please visit www.mackie.com to find contact information for your local distributor, and information on any warranty coverage provided by the distributor in your local market.

LOUD warrants to Customer that the product will be free from defects in materials and workmanship under normal use during the Warranty Period. If the product fails to conform to the warranty then LOUD or its authorized service representative will at its option, either repair or replace any such nonconforming product, provided that Customer gives notice of the noncompliance within the Warranty Period to the Company at: www.mackie.com or by calling LOUD technical support at 1.800.898.3211 (toll-free in the U.S. and Canada) during normal business hours Pacific Time, excluding weekends or LOUD holidays. Please retain the original dated sales receipt as evidence of the date of purchase. You will need it to obtain any warranty service.

For full terms and conditions, as well as the specific duration of the Warranty for this product, please visit www.mackie.com.

The Product Warranty, together with your invoice or receipt, and the terms and conditions located at www.mackie.com constitutes the entire agreement, and supersedes any and all prior agreements between LOUD and Customer related to the subject matter hereof. No amendment, modification or waiver of any of the provisions of this Product Warranty will be valid unless set forth in a written instrument signed by the party to be bound thereby.

Need help with the CR StealthBar?

- Visit www.mackie.com/support to find: FAQs, manuals, addendums, and other documents.
- Email us at: www.mackie.com/support-contact
- Telephone 1-800-898-3211 to speak with one of our splendid technical support chaps (Monday through Friday, normal business hours, Pacific Time).



19820 North Creek Parkway #201

Bothell, WA 98011 • USA

Phone: 425.487.4333

Toll-free: 800.898.3211

Fax: 425.487.4337

www.mackie.com
