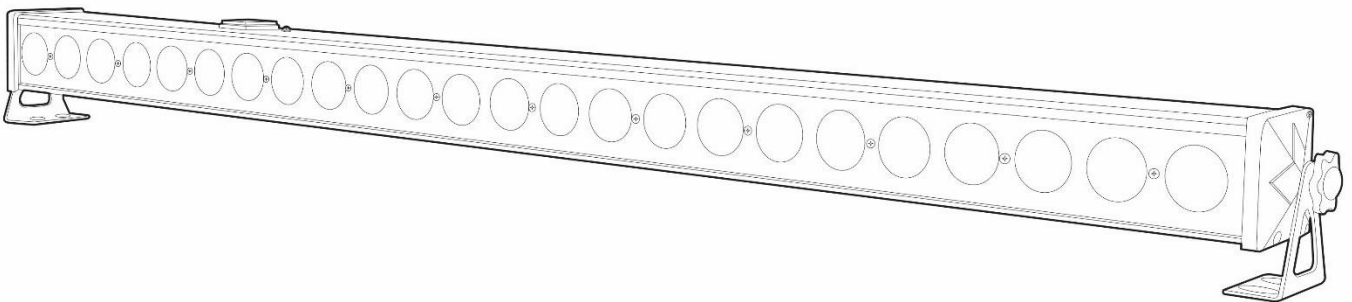


MBAR 4 72 BAT

User Manual – Version 1.1



SAFETY INSTRUCTIONS

1. Read the instructions of this manual.
2. Keep these instructions in a safe place.
3. Heed and follow all warnings and instructions.
4. Please, respect your country safety regulations.
5. Don't use this device close to the water or high humidity places. Clean only with dry cloth.
6. Don't install near any heat sources such as radiators, heat registers, stoves, or other apparatus (including amplifiers) that produce heat. Make certain that the equipment is always installed so that is cooled and can't overheat.
7. Don't block any ventilation openings. Install in accordance with the manufacturer's instructions.
8. Protect the power cord from being walked on or pinched, particularly at plugs, convenience receptacles, and the point where they exit from the apparatus.
9. Only use attachments/accessories specified by **MARK**.
10. Unplug this device during lightning storms or when unused for long periods of time.
11. The technical service is required when the device has been damaged in any way, such as power supply cord or plug is damaged, liquid has been spilled or objects have fallen into the device, doesn't operate normally or has been dropped.
12. To completely disconnect this apparatus from the AC mains, disconnect the power supply cord plug from the AC receptacle.
13. The mains plug of the power supply cord shall remain readily operable.
14. **WARNING** – to reduce the risk of fire or electric shock, don't expose this device to rain or humidity.
15. Don't expose this equipment to dripping or splashing and ensure that no objects filled with liquids, such as vases, are placed on the equipment.
16. For rigging installation, please, follow the recommendations included in this user manual.
17. This device includes rechargeable battery (lithium-ion). Please, follow the local laws for disposing the battery, removing it from the device and recycling in an appropriate recycling plant.



OVERVIEW

MBAR 4 72 BAT is a lighting bar which includes 24x 3W RGB (3 in 1) LEDs. These brilliant LEDs allow to obtain a rich colour spectrum mixing the red, green and blue colours.

The configuration interface has a display with all the information and buttons to navigate through menus, selecting parameters such as: manual level of each colour, strobe or inner effects.

MBAR 4 72 BAT integrates a rechargeable lithium-ion battery to operate autonomously.

The device includes several DMX modes (5, 8, 14, 26 & 50 channels) with individual colour dimming, built-in effects, and strobe function.

Technical Data:

Power Supply	AC 100-240 V 50/60 Hz + rechargeable battery
Light source	24x 3W RGB (3 in 1) LEDs
Dimmer	0-100 Linear Adjustment
DMX Channels	5, 8, 14, 26 & 50 channels
Mode	DMX 512 /Auto/Manual/Audio/Master-Slave
Input connections	3 pin XLR
Output connections	3 pin XLR
Dimensions (WxHxD)	1050 x 60 x 60 mm
Weight	2.75 Kg

Features:

- Lighting projector that includes 24x 3 W RGB (3 in 1) LEDs.
- Display and interface for setting functions.
- Lithium-ion battery integrated.
- Strobe function.
- Double wings for fixation.

Rechargeable Lithium ion battery

- 11.6V, 7200 mA
- 8 – 10 hours working time

INSTALLATION

This product is only suitable for professional use. This device should be kept dry to avoid moisture, overheating or dusty environment. Ensure that the unit does not come into contact with water or any other liquid.

MBAR 4 72 BAT can be placed in a stable surface or stand but the common operating mode is rigging it in a truss system. Please, check and follow the next recommendations for safe use of this device:

- The truss system must be built in a way that it can hold 10 times the weight of all rigging elements for 1 hour without any harming deformation.
- The fixation system (clamps or hangs) must be able to hold 10 times the weight of the device.
- The device must always be secured with a safety attachment, e.g. steel cable.
- The operator must check that the installation meets the safety standards and the device installation is approved by a skilled person.

DMX Connection.

The DMX cable must use the professional shielded twisted pair cable. Standard loudspeaker cable is not reliable to control the long-range data. 24AWG cable is suitable for up to 300 meters long-distance signal transmission; for longer distances, a DMX 512 signal amplifier should be used.

Don't overload the connection. One continuous connection can only support up to **30 devices**. It is advisable to use a DMX splitter in order to distribute the signal without losing its integrity.

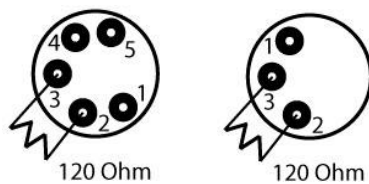
Connect the DMX512 input terminal to the controller. After that, connect the output terminal to the next device. Repeat this step with all fixtures in the chain. To prevent system errors, the last device in a DMX chain needs to be equipped with a terminating resistor (120 ohm, 1/4 Watt).

Pin occupation

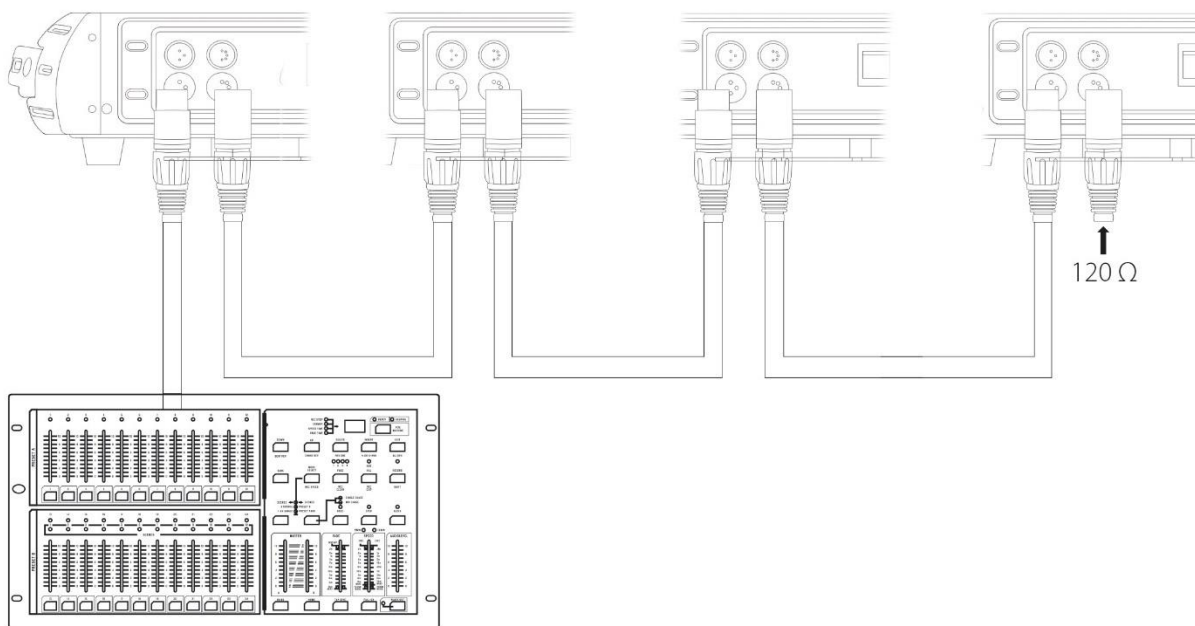
Pin 1: Ground

Pin 2: Pin -

Pin 3: Pin +



To connect more than one unit in a chain, please, follow this picture. The output of the first unit must provide to the next DMX input of the signal, this way it is possible to send the signal to all the devices in the chain.



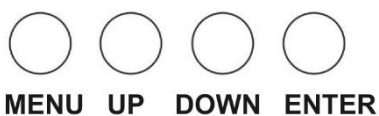
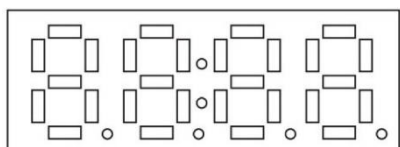
ADVANCED USE

RECHARGEABLE BATTERY

The unit can operate with the internal battery after to be charged. The process is automatic while the device is connected to an adequate AC plug. You can check the charge level through LED bar closed the display.

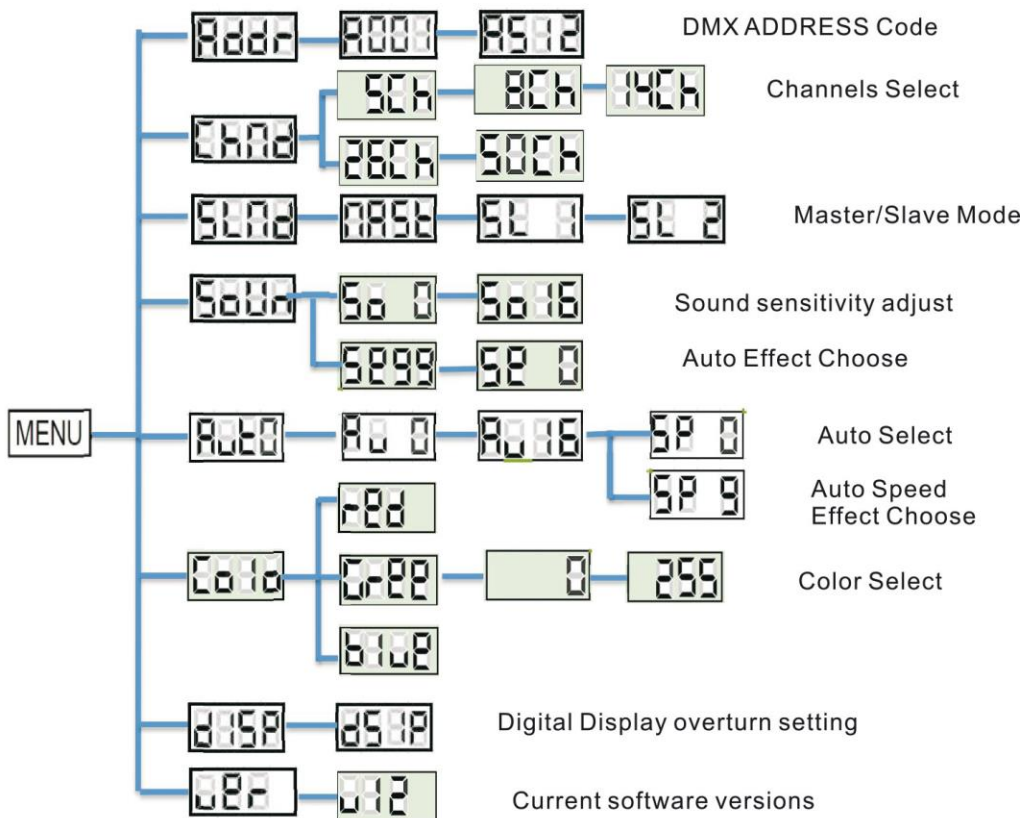
CONTROL PANEL

MBAR 4 72 BAT can be configured in different ways thanks to its panel and selection buttons.



Press the MENU button (once or several times) until you get to the desired function (according to the following chart), and press ENTER to confirm your selection.

Use the UP & DOWN buttons to navigate between each function to select the correct value. (Press ENTER to confirm the setting).



DMX CONTROL MODE

The following tables show the DMX channel functions:

5 channels mode

No	Function	Description	Value
1	R dimming	Red dimming from minimum to maximum	0 - 255
2	G dimming	Green dimming from minimum to maximum	0 - 255
3	B dimming	Blue dimming from minimum to maximum	0 - 255
4	Color chase	* See chase table	0 - 255
5	Chase speed	From slow to fast	0 - 255

8 channels mode

No	Function	Description	Value
1	Master dimmer	General dimmer	0 - 255
2	Strobe	From slow to fast	0 - 255
3	R dimming	Red dimming from minimum to maximum	0 - 255
4	G dimming	Green dimming from minimum to maximum	0 - 255
5	B dimming	Blue dimming from minimum to maximum	0 - 255
6	Auto program	One program with increasing speed	0 - 255
7	Color chase	* See chase table	0 - 255
8	Chase speed	From slow to fast	0 - 255

14 channels mode (2 groups of 12 LEDs)

No	Function	Description	Value
1	Master dimmer 1	General dimmer	0 - 255
2	Strobe 1	From slow to fast	0 - 255
3	R dimming 1	Red dimming from minimum to maximum	0 - 255
4	G dimming 1	Green dimming from minimum to maximum	0 - 255
5	B dimming 1	Blue dimming from minimum to maximum	0 - 255
6	Auto program 1	One program with increasing speed	0 - 255
7	Master dimmer 2	General dimmer	0 - 255
8	Strobe 2	From slow to fast	0 - 255
9	R dimming 2	Red dimming from minimum to maximum	0 - 255
10	G dimming 2	Green dimming from minimum to maximum	0 - 255
11	B dimming 2	Blue dimming from minimum to maximum	0 - 255
12	Auto program 2	One program with increasing speed	0 - 255
13	Color chase	* See chase table	0 - 255
14	Chase speed	From slow to fast	0 - 255

26 channels mode (4 groups of 6 LEDs)

No	Function	Description	Value
1	Master dimmer 1	General dimmer	0 - 255
2	Strobe 1	From slow to fast	0 - 255
3	R dimming 1	Red dimming from minimum to maximum	0 - 255
4	G dimming 1	Green dimming from minimum to maximum	0 - 255
5	B dimming 1	Blue dimming from minimum to maximum	0 - 255
6	Auto program 1	One program with increasing speed	0 - 255
7	Master dimmer 2	General dimmer	0 - 255
8	Strobe 2	From slow to fast	0 - 255
9	R dimming 2	Red dimming from minimum to maximum	0 - 255
10	G dimming 2	Green dimming from minimum to maximum	0 - 255
11	B dimming 2	Blue dimming from minimum to maximum	0 - 255
12	Auto program 2	One program with increasing speed	0 - 255
13	Master dimmer 3	General dimmer	0 - 255
14	Strobe 3	From slow to fast	0 - 255
15	R dimming 3	Red dimming from minimum to maximum	0 - 255
16	G dimming 3	Green dimming from minimum to maximum	0 - 255
17	B dimming 3	Blue dimming from minimum to maximum	0 - 255
18	Auto program 3	One program with increasing speed	0 - 255
19	Master dimmer 4	General dimmer	0 - 255
20	Strobe 4	From slow to fast	0 - 255
21	R dimming 4	Red dimming from minimum to maximum	0 - 255
22	G dimming 4	Green dimming from minimum to maximum	0 - 255
23	B dimming 4	Blue dimming from minimum to maximum	0 - 255
24	Auto program 4	One program with increasing speed	0 - 255
25	Color chase	* See chase table	0 - 255
26	Chase speed	From slow to fast	0 - 255

50 channels mode (8 groups of 3 LEDs)

No	Function	Description	Value
1	Master dimmer 1	General dimmer	0 - 255
2	Strobe 1	From slow to fast	0 - 255
3	R dimming 1	Red dimming from minimum to maximum	0 - 255
4	G dimming 1	Green dimming from minimum to maximum	0 - 255
5	B dimming 1	Blue dimming from minimum to maximum	0 - 255
6	Auto program 1	One program with increasing speed	0 - 255
7	Master dimmer 2	General dimmer	0 - 255
8	Strobe 2	From slow to fast	0 - 255
9	R dimming 2	Red dimming from minimum to maximum	0 - 255
10	G dimming 2	Green dimming from minimum to maximum	0 - 255
11	B dimming 2	Blue dimming from minimum to maximum	0 - 255
12	Auto program 2	One program with increasing speed	0 - 255
13	Master dimmer 3	General dimmer	0 - 255
14	Strobe 3	From slow to fast	0 - 255
15	R dimming 3	Red dimming from minimum to maximum	0 - 255
16	G dimming 3	Green dimming from minimum to maximum	0 - 255
17	B dimming 3	Blue dimming from minimum to maximum	0 - 255
18	Auto program 3	One program with increasing speed	0 - 255
19	Master dimmer 4	General dimmer	0 - 255
20	Strobe 4	From slow to fast	0 - 255
21	R dimming 4	Red dimming from minimum to maximum	0 - 255
22	G dimming 4	Green dimming from minimum to maximum	0 - 255
23	B dimming 4	Blue dimming from minimum to maximum	0 - 255
24	Auto program 4	One program with increasing speed	0 - 255
25	Master dimmer 5	General dimmer	0 - 255
26	Strobe 5	From slow to fast	0 - 255
27	R dimming 5	Red dimming from minimum to maximum	0 - 255
28	G dimming 5	Green dimming from minimum to maximum	0 - 255
29	B dimming 5	Blue dimming from minimum to maximum	0 - 255
30	Auto program 5	One program with increasing speed	0 - 255
31	Master dimmer 6	General dimmer	0 - 255
32	Strobe 6	From slow to fast	0 - 255
33	R dimming 6	Red dimming from minimum to maximum	0 - 255
34	G dimming 6	Green dimming from minimum to maximum	0 - 255
35	B dimming 6	Blue dimming from minimum to maximum	0 - 255
36	Auto program 6	One program with increasing speed	0 - 255
37	Master dimmer 7	General dimmer	0 - 255
38	Strobe 7	From slow to fast	0 - 255
39	R dimming 7	Red dimming from minimum to maximum	0 - 255
40	G dimming 7	Green dimming from minimum to maximum	0 - 255
41	B dimming 7	Blue dimming from minimum to maximum	0 - 255
42	Auto program 7	One program with increasing speed	0 - 255
43	Master dimmer 8	General dimmer	0 - 255
44	Strobe 8	From slow to fast	0 - 255
45	R dimming 8	Red dimming from minimum to maximum	0 - 255
46	G dimming 8	Green dimming from minimum to maximum	0 - 255
47	B dimming 8	Blue dimming from minimum to maximum	0 - 255
48	Auto program 8	One program with increasing speed	0 - 255
49	Color chase	* See chase table	0 - 255
50	Chase speed	From slow to fast	0 - 255

Colour Chase Table

No	Function
Color Chase	000 – 007 No function
	008 – 022 Colour chase 1
	023 – 037 Colour chase 2
	038 – 052 Colour chase 3
	053 – 067 Colour chase 4
	068 – 082 Colour chase 5
	083 – 097 Colour chase 6
	098 – 112 Colour chase 7
	113 – 127 Colour chase 8
	128 – 142 Colour chase 9
	143 – 157 Colour chase 10
	158 – 172 Colour chase 11
	173 – 187 Colour chase 12
	188 – 202 Colour chase 13
	203 – 217 Colour chase 14
	218 – 232 Colour chase 15
	233 – 247 Colour chase 16
248 – 255 Sound active	

CAUTIONS

Prevention of electric shock

The electrical connection must only be carried out by qualified personal. Before installing, make sure you use the same power voltage marked in the **MBAR 4 72 BAT** (AC 100-240V/50-60Hz). Each device must be properly grounded and installed in accordance with the relevant standards. Don't use the device in a lightning storm or wet environment.

To prevent burning of fire

1. Never install the device directly on the surface of ordinary combustible material.
2. The equipment must be installed away from inflammable and explosive materials.
3. Keep at last 0,5 m around the unit for ventilation purposes.
4. Do not place any object on the lens.
5. Do not replace with non-original spare parts. Contact your **MARK** dealer.

Unpacking

Note: Before unpacking, check it for possible damage that might have occurred during transportation. If you find any damage, please do not use the unit and contact the **MARK** dealer.

TROUBLESHOOTING

This short guide is meant to help and try to solve simple problems. If they continue and the device cannot operate, please, don't try to repair it by yourself, return the device to your **MARK** dealer.

If a problem occurs, carry out the following steps in sequence until find the problem solved. If the light effect does not operate properly, refer servicing to a technician.

No Light:

Response: Suspect two potential problem areas: the power supply or the LEDs.

- 1- Power supply. Check that the unit is plugged into an appropriate power supply.
- 2- Check if the fuse is not blown. If yes, change it with one that keeps the same technical features. If the fuse blows again, please, don't change it, contact the **MARK** technical service.
- 3- If all the above appears to be OK, plug the unit in again.
- 4- If you are unable to determine the cause of the problem, do not open the device, as this may damage the unit and the warranty will become void.
- 5- Return the device to your **MARK** dealer.

No DMX:

Response: Suspect the DMX cable or connector, a controller wrong function, a previous light effect DMX in the chain.

- 1- Check the DMX settings. Make sure that DMX addresses are correct.
- 2- Check the DMX cable: Unplug the unit; change the DMX cable; then reconnect to electrical power. Try to use your DMX controller again.
- 3- Determine whether the controller or light effect is at fault. Does the controller operate properly with other DMX products? If not, take the unit to a qualified technician.

INDICACIONES DE SEGURIDAD

1. Lea detenidamente las siguientes instrucciones y preste atención a éstas.
2. Guarde en un lugar seco y seguro este manual.
3. Siga una a una todas las instrucciones.
4. Respete las instrucciones de seguridad de su país cuando instale este dispositivo.
5. No use este dispositivo cerca del agua o zonas altamente húmedas. A la hora de limpiarlo, utilice un paño seco.
6. No instale el dispositivo cerca de ninguna fuente de calor o fuego tales como calefactores, estufas o incluso amplificadores que produzcan calor. Asegúrese de que, una vez instalado el dispositivo, esté en un lugar fresco y seco.
7. No obstruya ninguna de las salidas. Cuando instale el dispositivo hágalo tal y como lo indican estas instrucciones.
8. Proteja el cable de alimentación para no ser pisado o manipulado, particularmente en los conectores (mural y de entrada a la unidad).
9. Utilice únicamente accesorios especificados por **MARK**.
10. Desconecte el dispositivo si no va a ser utilizado durante largos periodos de tiempo.
11. El dispositivo será reparado por el servicio técnico oficial cuando esté dañado, el cable este deteriorado o el conector estropeado, así como si el dispositivo ha entrado en contacto con líquidos o no opera correctamente.
12. Para desconectar totalmente la unidad de la red eléctrica principal desconecte el cable de la toma mural eléctrica.
13. El conector principal debe poder conectarse y desconectarse de la red eléctrica de manera fácil.
14. **ATENCIÓN.** Para reducir el riesgo de fuego o shock eléctrico, no exponga este dispositivo bajo la lluvia o la humedad.
15. No exponga este equipo a líquidos, ni salpicaduras, así como su ubicación cerca de recipientes o posibles fuentes con líquidos.
16. Si la unidad va a ser volada en un truss, por favor, siga las recomendaciones incluidas en este manual de usuario.
17. Este dispositivo incluye una batería recargable (de ión de litio). Por favor, siga las leyes locales para ocuparse de la batería, retirándola del dispositivo y reciclándola en una planta de reciclaje adecuada.



VISTA GENERAL

MBAR 4 72 BAT es una barra de iluminación que incluye 24 LEDs RGB (3 en 1) de 3W cada uno. Estos brillantes LEDs permiten obtener un rico espectro de colores mezclando los colores rojo, verde y azul.

La interfaz de configuración tiene una pantalla con toda la información y botones para navegar por los menús, seleccionando parámetros tales como: nivel manual de cada color, efecto estrobo o efectos internos.

MBAR 4 72 BAT integra una batería recargable de ión de litio para operar de manera autónoma.

El dispositivo incluye varios modos DMX (5, 8, 14, 26 y 50 canales) con dimmerización de color individual, efectos incorporados y función estrobo.

Datos Técnicos:

Alimentación	AC100-240 V 50/60 Hz + batería recargable
Fuente lumínica	24x LEDs RGB (3 en 1) de 3W cada uno.
Dimmer	0-100 ajuste lineal
Canales DMX	5, 8, 14, 26 y 50 canales
Modos	DMX 512 /Auto/Manual/Audio/Master-Slave
Conexiones de entrada	3 pin XLR
Conexiones de salida	3 pin XLR
Dimensiones (AnxAlxPr)	1050 x 60 x 60 mm
Peso	2.75 Kg

Características:

- Proyector de iluminación que incluye 24x LEDs RGB de 3W cada uno (3 en 1).
- Pantalla e interfaz para funciones de ajuste.
- Batería recargable de ión de litio integrada
- Función strobo.
- Dos alas de fijación.

Batería recargable de ión de litio

- 11.6V, 7200 mA
- 8 – 10 horas de funcionamiento

INSTALACIÓN

Este producto sólo es adecuado para uso profesional. Este dispositivo debe mantenerse seco para evitar la humedad, el sobrecalentamiento o el ambiente polvoriento. Asegúrese que la unidad no entre en contacto con agua o cualquier otro líquido.

MBAR 4 72 BAT se puede colocar en una superficie plana y estable o en un soporte, pero el modo de funcionamiento común es el rigging en un sistema truss. Por favor, compruebe y siga las siguientes recomendaciones para un uso seguro de este dispositivo:

- El sistema de truss debe ser construido de tal manera que pueda soportar 10 veces el peso de todos los elementos de rigging durante 1 hora sin causar deformación.
- El sistema de fijación (abrazaderas o garras) debe ser capaz de soportar hasta 10 veces el peso del dispositivo.
- El dispositivo debe asegurarse siempre con un accesorio de seguridad, p. e. un cable de acero.
- El operador debe comprobar que la instalación cumple con las normas de seguridad y la instalación del dispositivo es aprobada por un experto en la materia.

Conexión DMX

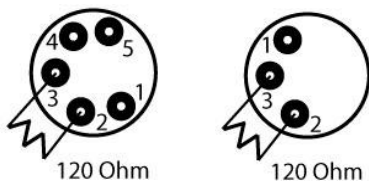
Para el conexionado DMX debe utilizar el cable de par trenzado blindado profesional. El cable de altavoz estándar no es fiable para controlar los datos a grandes distancias. El cable 24AWG es adecuado para distancias de hasta 300m, a partir de esta distancia se debe utilizar un amplificador de señal DMX.

No sobrecargue la conexión. Una conexión continua sólo puede soportar hasta **30 dispositivos**. En todo caso se recomienda la utilización de un splitter DMX para distribuir la señal sin pérdida de integridad.

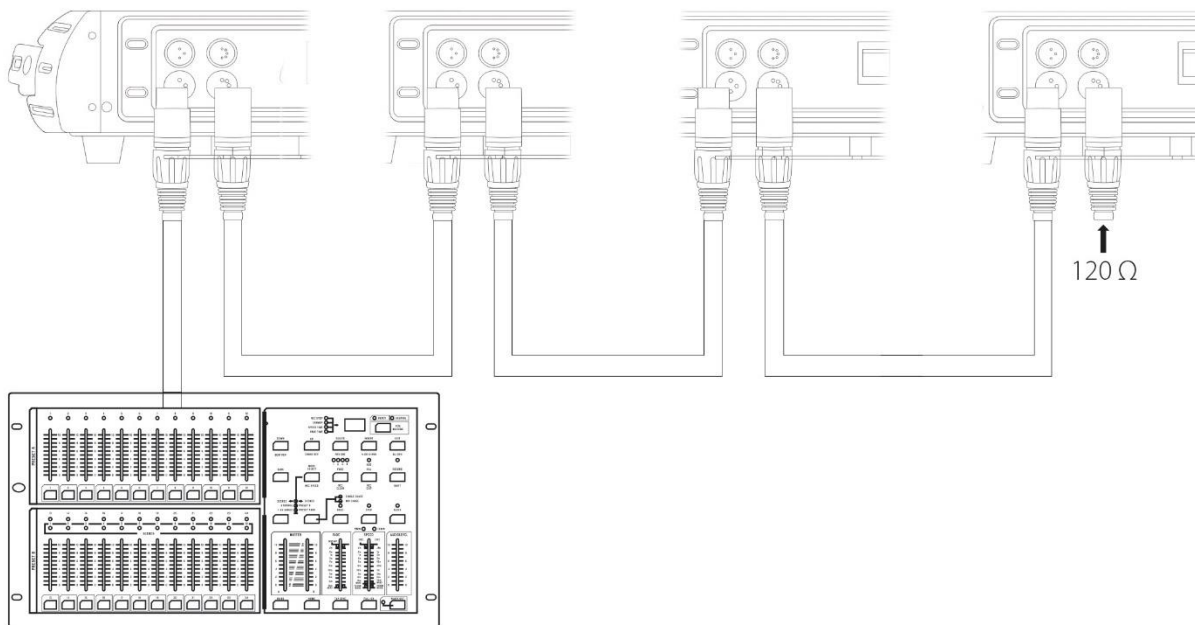
Conecte el terminal de entrada DMX512 al controlador. Después, conecte el terminal de salida al siguiente dispositivo. Repita el paso anterior para conectar otro dispositivo y así sucesivamente. Para evitar errores en el sistema, el último dispositivo de una cadena DMX debe estar equipado con una resistencia de terminación (120 Ohmios, 1/4 W).

Ocupación de los pines

Pin 1: Masa
Pin 2: Pin -
Pin 3: Pin +



Para conectar más de una unidad, siga el siguiente esquema. La salida de la primera unidad se conecta a la entrada de la siguiente y así sucesivamente, de esta manera es posible enviar la señal a todos los dispositivos de la cadena.



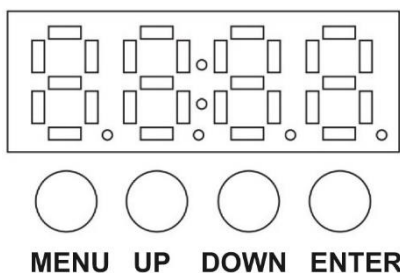
USO AVANZADO

BATERÍA RECARGABLE

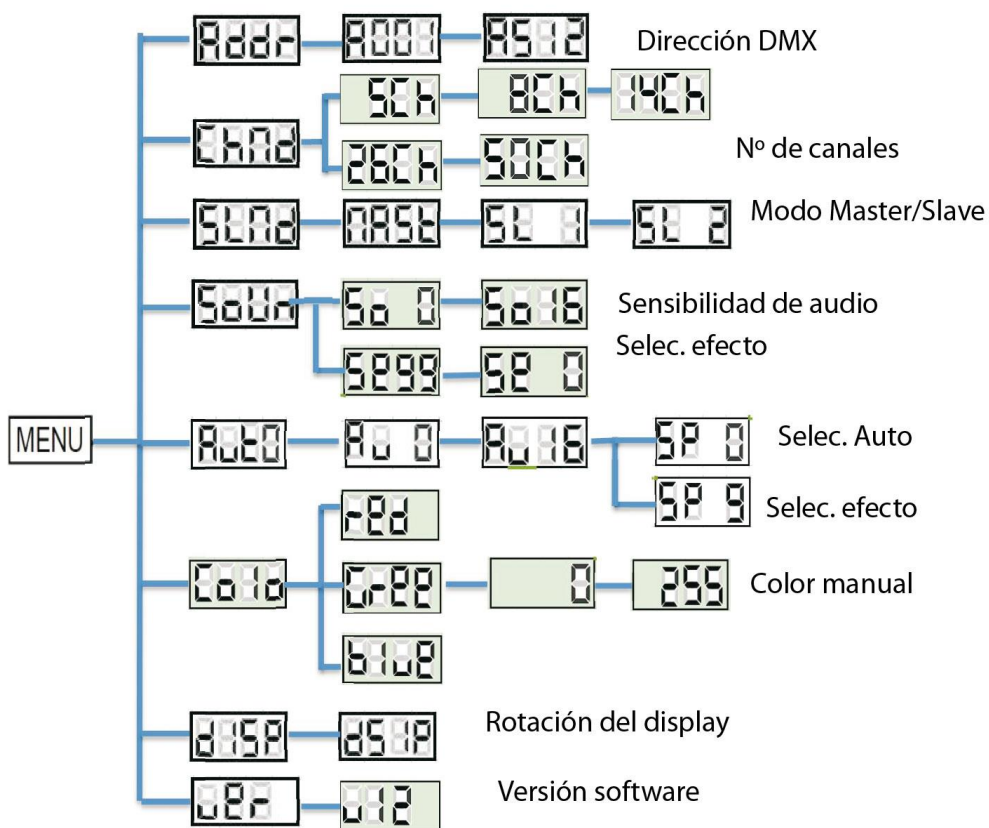
La unidad puede operar con la batería interna después de haber sido cargada. El proceso es automático mientras el dispositivo está conectado a toma de AC. Puede comprobar el nivel de carga gracias a la barra de LEDs junto al display.

PANEL DE CONTROL

MBAR 4 72 BAT permite ser configurado de diferentes maneras, gracias a su panel y botones de selección.



Presione el botón MENU (una o varias veces) hasta llegar a la función deseada (según el siguiente cuadro), y presione ENTER para confirmar su selección. Utilice los botones UP y DOWN para navegar entre cada función para seleccionar el valor correcto. (Pulse ENTER para confirmar la configuración).



MODO DE CONTROL DMX

Las siguientes tablas muestra las funciones de los canales DMX:

Modo 5 canales

No	Función	Descripción	Valor
1	Dimmer R	Dimmer rojo de mínimo a máximo	0 - 255
2	Dimmer G	Dimmer verde de mínimo a máximo	0 - 255
3	Dimmer B	Dimmer azul de mínimo a máximo	0 - 255
4	Color chase	* Ver tabla Chases	0 - 255
5	Velocidad Chase	De lento a rápido	0 - 255

Modo 8 canales

No	Función	Descripción	Valor
1	Master dimmer	Dimmer general	0 - 255
2	Strobo	De lento a rápido	0 - 255
3	Dimmer R	Dimmer rojo de mínimo a máximo	0 - 255
4	Dimmer G	Dimmer verde de mínimo a máximo	0 - 255
5	Dimmer B	Dimmer azul de mínimo a máximo	0 - 255
6	Auto program	Un programa con incremento de velocidad	0 - 255
7	Color chase	* Ver tabla Chases	0 - 255
8	Velocidad Chase	De lento a rápido	0 - 255

Modo 14 canales (2 grupos 12 LEDs)

No	Función	Descripción	Valor
1	Master dimmer 1	Dimmer general	0 - 255
2	Strobo 1	De lento a rápido	0 - 255
3	Dimmer R 1	Dimmer rojo de mínimo a máximo	0 - 255
4	Dimmer G 1	Dimmer verde de mínimo a máximo	0 - 255
5	Dimmer B 1	Dimmer azul de mínimo a máximo	0 - 255
6	Auto program 1	Un programa con incremento de velocidad	0 - 255
7	Master dimmer 2	Dimmer general	0 - 255
8	Strobo 2	De lento a rápido	0 - 255
9	Dimmer R 2	Dimmer rojo de mínimo a máximo	0 - 255
10	Dimmer G 2	Dimmer verde de mínimo a máximo	0 - 255
11	Dimmer B 2	Dimmer Azul de mínimo a máximo	0 - 255
12	Auto program 2	Un programa con incremento de velocidad	0 - 255
13	Color chase	* Ver tabla Chases	0 - 255
14	Velocidad Chase	De lento a rápido	0 - 255

Modo 26 canales (4 grupos de 6 LEDs)

No	Función	Descripción	Valor
1	Master dimmer 1	Dimmer general	0 - 255
2	Strobo 1	De lento a rápido	0 - 255
3	Dimmer R 1	Dimmer rojo de mínimo a máximo	0 - 255
4	Dimmer G 1	Dimmer verde de mínimo a máximo	0 - 255
5	Dimmer B 1	Dimmer azul de mínimo a máximo	0 - 255
6	Auto program 1	Un programa con incremento de velocidad	0 - 255
7	Master dimmer 2	Dimmer general	0 - 255
8	Strobo 2	De lento a rápido	0 - 255
9	Dimmer R 2	Dimmer rojo de mínimo a máximo	0 - 255
10	Dimmer G 2	Dimmer verde de mínimo a máximo	0 - 255
11	Dimmer B 2	Dimmer azul de mínimo a máximo	0 - 255
12	Auto program 2	Un programa con incremento de velocidad	0 - 255
13	Master dimmer 3	Dimmer general	0 - 255
14	Strobo 3	De lento a rápido	0 - 255
15	Dimmer R 3	Dimmer rojo de mínimo a máximo	0 - 255
16	Dimmer G 3	Dimmer verde de mínimo a máximo	0 - 255
17	Dimmer B 3	Dimmer azul de mínimo a máximo	0 - 255
18	Auto program 3	Un programa con incremento de velocidad	0 - 255
19	Master dimmer 4	Dimmer general	0 - 255
20	Strobo 4	De lento a rápido	0 - 255
21	Dimmer R 4	Dimmer rojo de mínimo a máximo	0 - 255
22	Dimmer G 4	Dimmer verde de mínimo a máximo	0 - 255
23	Dimmer B 4	Dimmer azul de mínimo a máximo	0 - 255
24	Auto program 4	Un programa con incremento de velocidad	0 - 255
25	Color chase	* Ver tabla Chases	0 - 255
26	Velocidad Chase	De lento a rápido	0 - 255

Modo 50 canales (8 grupos de 3 LEDs)

No	Función	Descripción	Valor
1	Master dimmer 1	Dimmer general	0 - 255
2	Strobo 1	De lento a rápido	0 - 255
3	Dimmer R 1	Dimmer rojo de mínimo a máximo	0 - 255
4	Dimmer G 1	Dimmer verde de mínimo a máximo	0 - 255
5	Dimmer B 1	Dimmer azul de mínimo a máximo	0 - 255
6	Auto program 1	Un programa con incremento de velocidad	0 - 255
7	Master dimmer 2	Dimmer general	0 - 255
8	Strobo 2	De lento a rápido	0 - 255
9	Dimmer R 2	Dimmer rojo de mínimo a máximo	0 - 255
10	Dimmer G 2	Dimmer verde de mínimo a máximo	0 - 255
11	Dimmer B 2	Dimmer azul de mínimo a máximo	0 - 255
12	Auto program 2	Un programa con incremento de velocidad	0 - 255
13	Master dimmer 3	Dimmer general	0 - 255
14	Strobo 3	De lento a rápido	0 - 255
15	Dimmer R 3	Dimmer rojo de mínimo a máximo	0 - 255
16	Dimmer G 3	Dimmer verde de mínimo a máximo	0 - 255
17	Dimmer B 3	Dimmer azul de mínimo a máximo	0 - 255
18	Auto program 3	Un programa con incremento de velocidad	0 - 255
19	Master dimmer 4	Dimmer general	0 - 255
20	Strobo 4	De lento a rápido	0 - 255
21	Dimmer R 4	Dimmer rojo de mínimo a máximo	0 - 255
22	Dimmer G 4	Dimmer verde de mínimo a máximo	0 - 255
23	Dimmer B 4	Dimmer azul de mínimo a máximo	0 - 255
24	Auto program 4	Un programa con incremento de velocidad	0 - 255
25	Master dimmer 5	Dimmer general	0 - 255
26	Strobo 5	De lento a rápido	0 - 255
27	Dimmer R 5	Dimmer rojo de mínimo a máximo	0 - 255
28	Dimmer G 5	Dimmer verde de mínimo a máximo	0 - 255
29	Dimmer B 5	Dimmer azul de mínimo a máximo	0 - 255
30	Auto program 5	Un programa con incremento de velocidad	0 - 255
31	Master dimmer 6	Dimmer general	0 - 255
32	Strobo 6	De lento a rápido	0 - 255
33	Dimmer R 6	Dimmer rojo de mínimo a máximo	0 - 255
34	Dimmer G 6	Dimmer verde de mínimo a máximo	0 - 255
35	Dimmer B 6	Dimmer azul de mínimo a máximo	0 - 255
36	Auto program 6	Un programa con incremento de velocidad	0 - 255
37	Master dimmer 7	Dimmer general	0 - 255
38	Strobo 7	De lento a rápido	0 - 255
39	Dimmer R 7	Dimmer rojo de mínimo a máximo	0 - 255
40	Dimmer G 7	Dimmer verde de mínimo a máximo	0 - 255
41	Dimmer B 7	Dimmer azul de mínimo a máximo	0 - 255
42	Auto program 7	Un programa con incremento de velocidad	0 - 255
43	Master dimmer 8	Dimmer general	0 - 255
44	Strobo 8	De lento a rápido	0 - 255
45	Dimmer R 8	Dimmer rojo de mínimo a máximo	0 - 255
46	Dimmer G 8	Dimmer verde de mínimo a máximo	0 - 255
47	Dimmer B 8	Dimmer azul de mínimo a máximo	0 - 255
48	Auto program 8	Un programa con incremento de velocidad	0 - 255
49	Color chase	* Ver tabla Chases	0 - 255
50	Velocidad Chase	De lento a rápido	0 - 255

Tabla Chases de color

No	Función
Chase de color	000 – 007 Sin función
	008 – 022 Chase de color 1
	023 – 037 Chase de color 2
	038 – 052 Chase de color 3
	053 – 067 Chase de color 4
	068 – 082 Chase de color 5
	083 – 097 Chase de color 6
	098 – 112 Chase de color 7
	113 – 127 Chase de color 8
	128 – 142 Chase de color 9
	143 – 157 Chase de color 10
	158 – 172 Chase de color 11
	173 – 187 Chase de color 12
	188 – 202 Chase de color 13
	203 – 217 Chase de color 14
	218 – 232 Chase de color 15
233 – 247 Chase de color 16	
248 – 255 Activación por audio	

PRECAUCIONES

Prevención frente a shock eléctrico

La conexión eléctrica al dispositivo debe ser realizada por personal cualificado. Antes de instalar, asegúrese de conectarla a una red eléctrica que trabaje bajo los mismos parámetros que **MBAR 4 72 BAT** (AC100-240V/50-60Hz). Cada dispositivo debe ser adecuadamente conectado a una toma de tierra de acuerdo con las normas establecidas. No use la unidad durante una tormenta eléctrica.

Prevención frente incendios

1. Nunca instale el dispositivo cerca de una fuente de combustión.
2. El equipo debe instalarse lejos de materiales inflamables y explosivos.
3. Deje al menos 0,5 m alrededor de la unidad para su ventilación.
4. No cubra la lente.
5. Si cambia alguna de las partes del dispositivo hágalo siempre con repuestos originales. Para ello contacte a su proveedor **MARK**.

Desempaquetado

Nota: Antes de desembalar compruebe si ha habido daños y se han debido al transporte o no. Si encuentra algún daño, no utilice este dispositivo y póngase en contacto con el distribuidor de **MARK**.

POSIBLES PROBLEMAS Y SOLUCIÓN

Esta guía pretende ayudar a resolver problemas simples y comunes que pueden aparecer en el uso del dispositivo. Si los problemas persisten, no intente abrir y reparar la unidad por sí solo, contacte con su distribuidor más cercano y devuélvalo para su reparación.

Si el dispositivo tiene un problema, siga los siguientes puntos hasta que lo encuentre y pueda solucionarlo. Si la iluminación no funciona correctamente, envíe el dispositivo al servicio técnico **MARK**.

Si el dispositivo no enciende:

Posibles problemas: Fuente de alimentación.

- 1- Fuente de alimentación: Asegúrese de que la unidad esté correctamente conectada.
- 2- Compruebe que el fusible no está dañado. En caso de estarlo, reemplácelo por otro de las mismas características. Si una vez reemplazado vuelve a fundirse y la unidad sigue sin funcionar, contacte con el servicio técnico de **MARK**.
- 3- Si todo lo anterior es correcto, puede conectar la unidad a la red eléctrica.
- 4- Si usted no puede determinar la causa de los problemas que presenta la unidad, no la desmonte o intente reparar por sí mismo ya que perderá la garantía.
- 5- Devuelva la unidad a servicio técnico de **MARK**.

Si no responde el protocolo DMX:

Posibles problemas: Verifique que el cable de conexión DMX está correctamente insertado en el dispositivo, verifique que el propio cable no está defectuoso o que el controlador funciona correctamente.

- 1- Verifique las características DMX y que la dirección asignada es correcta.
- 2- Verifique el cable DMX: Desinstale la unidad, cambie el cable DMX y vuelva a conectar el dispositivo a la red eléctrica. Verifique de nuevo el control DMX.
- 3- Determine si el control está defectuoso. ¿El dispositivo opera correctamente con otras unidades DMX? Si no es así, lleve la unidad a ser reparada al servicio técnico oficial o a un técnico cualificado.



MARK[®]

Av. Saler nº14 Poligono. Ind. L'Alteró. Silla 46460 VALENCIA-SPAIN

Tel: +34 961216301

www.equipson.es