



Lite-12

ORDERCODE 50336



SHOWELECTRONICS FOR PROFESSIONALS

Congratulations!

You have bought a great, innovative product from Showtec.

The Showtec Lite-12 brings excitement to any venue. Whether you want simple plug-&-play action or a sophisticated DMX show, this product provides the effect you need.

You can rely on Showtec, for more excellent lighting products.

We design and manufacture professional light equipment for the entertainment industry.

New products are being launched regularly. We work hard to keep you, our customer, satisfied.

For more information: iwant@showtec.info

You can get some of the best quality, best priced products on the market from Showtec.

So next time, turn to Showtec for more great lighting equipment.

Always get the best -- with Showtec !

Thank you!



Showtec

Showtec Lite-12™ Product Guide

Warning	2
Safety-instructions.....	2
Operating Determinations.....	3
Description	4
Backside.....	5
Installation	5
Set Up and Operation	6
Maintenance	7
Troubleshooting	7
Product Specifications	8

WARNING



**FOR YOUR OWN SAFETY, PLEASE READ THIS USER MANUAL CAREFULLY
BEFORE YOUR INITIAL START-UP!**

SAFETY INSTRUCTIONS

Every person involved with the installation, operation and maintenance of this device have to:

- be qualified
- follow the instructions of this manual



Before your initial start-up, please make sure that there is no damage caused by transportation. Should there be any, consult your dealer and do not use the device.

To maintain perfect condition and to ensure a safe operation, it is absolutely necessary for the user to follow the safety instructions and warning notes written in this manual.

Please consider that damages caused by manual modifications to the device are not subject to warranty.

This device contains no user-serviceable parts. Refer servicing to qualified technicians only.

IMPORTANT:

The manufacturer will not accept liability for any resulting damages caused by the non-observance of this manual or any unauthorized modification to the device.

- Never let the power-cord come into contact with other cables! Handle the power-cord and all connections with the mains with particular caution!
- Never remove warning or informative labels from the unit.
- Never use anything to cover the ground contact.
- Never leave any cables lying around.
- Do not insert objects into air vents.
- Do not connect this system to a dimmerpack.
- Do not switch the system on and off in short intervals, as this would reduce the system's life.
- Do not open the device and do not modify the device.
- Only use device indoor, avoid contact with water or other liquids.
- Avoid flames and do not put close to flammable liquids or gases.
- Always keep case closed while operating.
- Always disconnect power from the mains, when device is not used or before cleaning! Only handle the power-cord by the plug. Never pull out the plug by tugging the power-cord.
- Always operate the unit with the AC ground wire connected to the electrical system ground.
- Make sure you don't use the wrong kind of cables or defective cables.
- Make sure that the available voltage is not higher than stated on the rear panel.
- Make sure that the power-cord is never crimped or damaged. Check the device and the power-cord from time to time.

- If device is dropped or struck, disconnect mains power supply immediately. Have a qualified engineer inspect for safety before operating.
- If the device has been exposed to drastic temperature fluctuation (e.g. after transportation), do not switch it on immediately. The arising condensation water might damage your device. Leave the device switched off until it has reached room temperature.
- If your Showtec device fails to work properly, discontinue use immediately. Pack the unit securely (preferably in the original packing material), and return it to your Showtec dealer for service.
- For replacement use fuses of same type and rating only.
- This device falls under protection class I. Therefore it is essential to connect the yellow/green conductor to earth.
- Repairs, servicing and electric connection must be carried out by a qualified technician.
- WARRANTY: Till one year after date of purchase.

OPERATING DETERMINATIONS

This device is not designed for permanent operation. Consistent operation breaks will ensure that the device will serve you for a long time without defects.

The maximum ambient temperature $t_a = 45^{\circ}\text{C}$ must never be exceeded.

The relative humidity must not exceed 50 % with an ambient temperature of 45°C .

If this device is operated in any other way, than the one described in this manual, the product may suffer damages and the warranty becomes void.

Any other operation may lead to dangers like short-circuit, burns, electric shock, lamp explosion, crash etc.

Improper installation can cause serious damage to people and property !

You endanger your own safety and the safety of others!

Description of the device

Features

The Lite-12 is a lightcontroller from Showtec with a 12 channel chaser, 7 operating modes, 53 chasing programs, memory backup and fade time control.

Overview

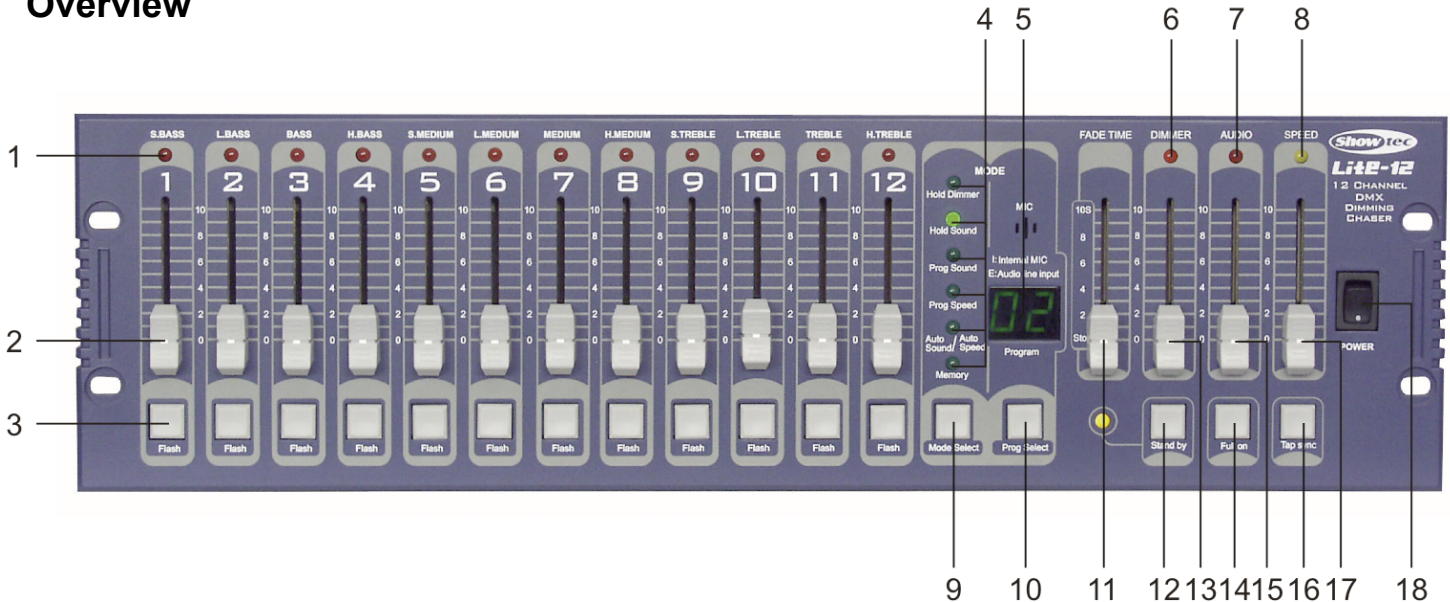
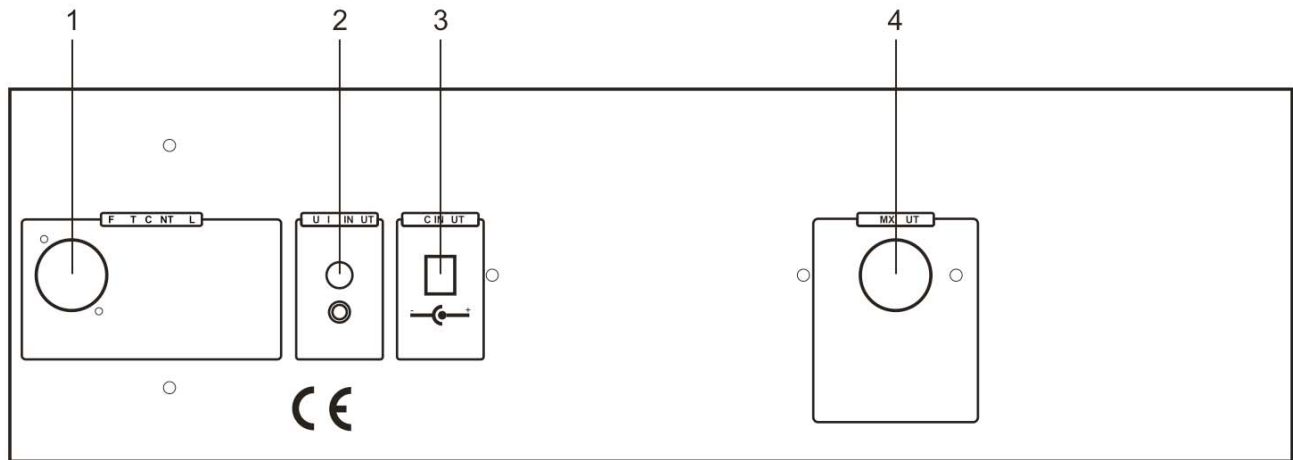


Fig. 1

- 1) Channel Dimmer Indicator: This indicator indicates the dimming level of corresponding channel.
- 2) Channel Dimmer Control: This control adjusts the dimming level of corresponding channel.
- 3) Channel Flash Button: Press to activate channel full on function.
- 4) Program Display: Shows desired pre-set digit parameter.
- 5) Program Indicator: This indicator indicate the operating mode being executed.
- 6) Master Dimmer Indicator: This indicator indicates master dimming level.
- 7) Audio Level Indicator: This indicator indicates the sensitivity of music rhythms.
- 8) Speed Indicator: This indicator indicates the chasing speed.
- 9) Mode Select Button: Press to select desired operating mode from Hold Dimmer / Hold Sound / Prog Sound / Prog Speed/ Auto Speed / Auto Sound / Memory or music control from line input / built-in microphone.
- 10) Program Select Button: Press to select desired program from 53 pre-set programs in Prog Sound / Prog Speed / Auto Speed / Auto Sound. In Memory mode, you can press to activate sub-mode to select desired operating mode from Program / Manual / Auto Sound / Auto Speed using STAND BY.
- 11) Fade Control: This control adjusts the delay time. It is not effective in Hold Sound.
- 12) Stand-by Button & Indicator: Press to pause all output.
- 13) Master Dimmer Control: This indicator indicate the operating mode being executed.
- 14) Full on Button: Press to activate FULL ON function of whole output.
- 15) Audio Level Control: This control adjusts the sensitivity of music rhythms detected by the built-in microphone or line in.
- 16) Tap Sync Button: This button is effective only in Prog Speed and Auto Speed. It is used to define chasing speed. When you press this button twice in 10 minutes, the interval between two pressing will be assigned to chasing speed.
- 17) Speed Control: This control adjusts the chasing speed.
- 18) Power Switch

Backside



- 1) Foot Control Input: Connect to remote foot control via 1/4" stereo jack.
- 2) Audio Input: Line in 100mV-2Vpp
- 3) DC Input: Plug in the power supply through the transformer rated DC 15-18V, 300mA min.
- 4) DMX Output: Connect to the DMX power pack.

Installation

Remove all packing materials from the Lite-12. Check that all foam and plastic padding is removed. Screw the equipment into a 19" rack. Connect all cables.

Always disconnect from electric mains power supply before cleaning or servicing.

Damages caused by non-observance are not subject to warranty.

Set Up and Operation

Before plugging the unit in, always make sure that the power supply matches the product specification voltage. Do not attempt to operate a 120V specification product on 230V power, or vice versa.

OPERATING INSTRUCTIONS

1. Turn the power switch on.
2. Operating mode is controlled by MODE SELECT.
3. You can select operating mode from Hold Dimmer / Hold Sound / Prog Sound / Prog Speed / Auto Speed / Auto Sound / Memory.

Hold Dimmer	Corresponding indicator lights. Channel output is controlled by Channel Dimmer control or Master Dimmer control.
Hold Sound	Corresponding indicator lights. Channel output is controlled by Channel Dimmer control and the music sensitivity is adjusted by the AUDIO LEVEL CONTROL.
Prog Sound	Corresponding indicator lights. You can select desired program from 53 pre-set programs using Prog Select button. Press Prog Select button once, program will be increased or decreased by one. Press and hold it for 1 second, program will be increased or decreased by 10 per second. Press Prog Select + Mode Select, chasing direction will be reversed.
Prog Speed	Corresponding indicator lights. You can operate according to the way specified by Prog Sound and you must always remember chasing speed is not controlled by audio signal but SPEED CONTROL or TAP SYNC.
Auto Speed	Corresponding indicator flashes. You can operate according to the way specified by Prog Speed. However, in this mode, each program will be executed eight times

Auto Sound	continuously and then next program. Corresponding indicator lights. You can operate according to the way specified by Prog Sound. However, in this mode, each program will be executed eight times continuously and then next program.
Memory	Up to 10 steps can be memorized. In this mode, you can select desire operating mode from Program / Manual / Auto Sound / Auto Speed corresponding to digit indication PR, ST, AS and AP. Press and hold Prog Select, press Stand By once, PROGRAM DISPLAY will show present operating mode, press Stand By once more, next mode will be selected. Each pressing of Stand By corresponds to a new mode. Release Prog Select, the selected mode will be executed.
PR mode	Press Prog Select till " 01 " appears in PROGRAM DISPLAY. Adjust Master Dimmer control or Channel Dimmer control to meet user's requirement, press Prog Select, PROGRAM DISPLAY will flash 4 time continuously, which means it is memorized, and PROGRAM DISPLAY will show " 02 ". You can make program in this way till " 10 " appears, now exit from Program and engage in other mode. If you fail in certain step, you should restart programming, otherwise not effective.
ST mode	Press Prog Select once, program will be executed one step, and PROGRAM DISPLAY will show the information. You can refer to the way mentioned in Prog Sound to select desired step.
AS mode	Program is executed according to the music rhythms and PROGRAM DISPLAY shows the step.
AP mode	Program is executed automatically and PROGRAM DISPLAY shows the step. You can adjust the chasing speed according to the way specified in Prog Speed.

4. FULL ON and FLASH

Press Full On button to activate FULL ON function of whole output, press Flash button to activate FULL ON function of channel. These two functions are effective in any mode.

5. Stand By

Press this button once to turn off whole output, press it once more to exit STAND BY, and the indicator will change from " flash" to "off".

6. AUDIO INPUT SELECT

You can select audio signal from Internal MIC / Audio line Input. Press Prog Select and turn off the power. Wait some seconds, turn the power on, now PROGRAM DISPLAY shows " I " or " E ". Press Mode, Select once, audio signal input will be changed, and the indication will change accordingly. Press it once more, audio signal input will be changed once more.

Maintenance

The Showtec Lite-12 requires almost no maintenance. However, you should keep the unit clean. Disconnect the mains power supply, and then wipe the cover with a damp cloth. Do not immerse in liquid. Keep connections clean. Disconnect electric power, and then wipe the audio connections with a damp cloth. Make sure connections are thoroughly dry before linking equipment or supplying electric power.

Troubleshooting

This troubleshooting guide is meant to help solve simple problems. If a problem occurs, carry out the steps below in sequence until a solution is found. Once the unit operates properly, do not carry out following steps.

Response: Suspect three potential problem areas: the power supply, the standby-button or menu settings.

1. Power supply. Check that the unit is plugged into an appropriate power supply.
2. When you turn on the device the standby LED will start blinking. When you push the standby-button the LED will light up continuously.
3. Check if the menu settings are correct.

Product Specification

Model: Showtec Lite-12

Voltage: AC 230V-50Hz (CE)

Power Input: DC 15-18V, 300 mA

Audio Input: 100mV-2Vpp

Dimensions: 483 x 133 x 51 mm (LxWxH)

Weight: 1,42 kg

Design and product specifications are subject to change without prior notice.





© 2006 Showtec.