



# SONOS PLAY:1

Product Guide

THIS DOCUMENT CONTAINS INFORMATION THAT IS SUBJECT TO CHANGE WITHOUT NOTICE.

No part of this publication may be reproduced or transmitted in any form or by any means, electronic or mechanical, including but not limited to photocopying, recording, information retrieval systems, or computer network without the written permission of Sonos, Inc.

SONOS and all other Sonos product names and slogans are trademarks or registered trademarks of Sonos, Inc. SONOS Reg. U.S. Pat. & Tm. Off.

Sonos products may be protected by one or more patents. Our patent-to-product information can be found here:

***[sonos.com/legal/patents](http://sonos.com/legal/patents)***

iPhone®, iPod®, iPad® and iTunes® are trademarks of Apple Inc., registered in the U.S. and other countries.

Windows® is a registered trademark of Microsoft Corporation in the United States and other countries.

Android® is a trademark of Google, Inc.

MPEG Layer-3 audio decoding technology licensed from Fraunhofer IIS and Thomson.

Sonos uses MSNTP software, which was developed by N.M. Maclaren at the University of Cambridge.

© Copyright, N.M. Maclaren, 1996, 1997, 2000; © Copyright, University of Cambridge, 1996, 1997, 2000.

All other products and services mentioned may be trademarks or service marks of their respective owners.

©2004-2014 by Sonos, Inc. All rights reserved.

# SONOS PLAY:1

The PLAY:1 is the newest, most compact Sonos wireless speaker that lets you use any Sonos controller to control and enjoy all the music you want all over your home (see "Sonos Controllers" on page 2 for more information).

- Two custom-designed drivers, 3.5 in / 9 cm mid-woofer and tweeter, each with a dedicated amplifier.
- Play/Pause functionality remembers the last thing you were listening to. You can even skip to the next track with a double press.
- Pair two PLAY:1s for amazing stereo sound or use two PLAY:1s as rear speakers for your SONOS PLAYBAR home theater system.
- Works seamlessly with the complete range of Sonos products.

## New to Sonos?

It takes just a few steps to get your Sonos system up and running—simply follow the setup instructions packaged with your PLAY:1. Once you've got it set up, you can add additional Sonos components any time.

## Adding to an existing Sonos system?

Sonos can be easily expanded room by room. If you are adding a PLAY:1 to an existing Sonos system, you can turn directly to "Adding to an Existing Sonos System" on page 4.



## Your Home Network

To access music services, Internet radio, and any digital music stored on your computer or Network-Attached Storage (NAS) device, your home network must meet the following requirements:

### Home network requirements

**Note:** Your network must have a high-speed Internet connection, as the Sonos system is designed to provide you with online software updates. Your Sonos system must be registered to receive these updates, so be sure to register during the setup process. We do not share your e-mail address with other companies.

- High-speed DSL/cable modem, or fiber-to-the-home broadband connection for proper playback of Internet-based music services. (If your service provider only offers satellite Internet access, you may experience playback issues due to fluctuating download rates.)
- If your modem is not a modem/router combination and you want to take advantage of Sonos' automatic online updates, or stream music from an Internet-based music service, you must install a router in your home network. If you do not have a router, purchase and install one before proceeding.
  - If you are going to use a Sonos application on an Android™ smartphone, iPhone®, iPod Touch®, iPad® or other tablet, you may need a wireless router in your home network. For more information, please visit our Web site at <http://faq.sonos.com/apps>.
- Connect at least one Sonos component to your home network router using an Ethernet cable, and then you can add all other Sonos components wirelessly.
- For best results, you should connect the computer or NAS drive that contains your personal music library collection to your home network router using an Ethernet cable.

### System requirements

- Windows® XP SP3 and higher
- Macintosh® OS X 10.6 and higher
- Compatible with iPhone, iPod touch, and iPad. iPhone and iPod touch require iOS 4.0 or later. iPad requires iOS 5.0 or later.
- Android: 2.1 and higher, certain features may require higher versions of Android

**Note:** For the latest system requirements, including supported operating system versions, please visit our Web site at <http://faq.sonos.com/specs>.

## Sonos Controllers

You can use any Sonos controller with the SONOS PLAY:1, including:

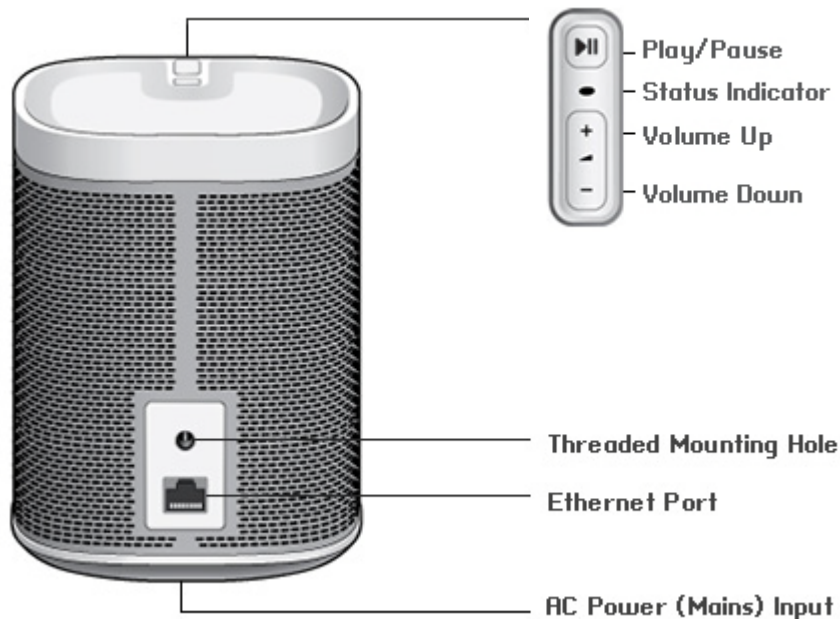
- **Sonos Controller for Android**—Touch the **Play Store** or **Market** button on your Android phone or tablet to download the free Sonos application from Google Play.
- **Sonos Controller for iPhone** or the **Sonos Controller for iPad**—Touch the **App Store** button on your iPhone, iPod

touch or iPad to download the free Sonos application, or you can download the application from iTunes®. (If you download from iTunes, you will need to sync before you see the Sonos logo display on your device.)

- **Sonos Controller for Mac or PC**—Download from our Web site at: [www.sonos.com/support/downloads](http://www.sonos.com/support/downloads).
- **SONOS CONTROL**

Sonos is always working on new ways to help you control the music any way you want. For the latest list of Sonos controllers, please visit our Web site at [www.sonos.com/products](http://www.sonos.com/products).

## PLAY:1 Top / Back



### On/Off

Your Sonos system is designed to be always on; the system uses minimal electricity whenever it is not playing music. To quickly stop streaming audio in all rooms, select **Pause All** from the **Rooms** menu. To stop streaming audio in one room, press the **Play/Pause** button on the player.

### Play/Pause button

Toggles between playing and pausing the audio in this room (defaults to restarting the same music source when pressed unless a different source is selected).

- Press *once* to start or stop streaming audio
- Press *twice* to skip to the next track (if applicable to the selected music source)

### Status indicator

Indicates the current status of the PLAY:1. When the PLAY:1 is in normal operation, you can turn the white status indicator light on and off.

For a complete list of status indications, please go to <http://faq.sonos.com/led>.

### Volume up (+)

### Volume down (-)

Press these buttons to adjust the volume up and down.

**Threaded mounting hole**  
1/4 inch /  
20-thread

The PLAY:1 has an integrated mounting hole on the back of the unit so it can be wall-mounted if desired (mounting bracket not included.) See "Wall Mounting" on page 4 for more information.

**Ethernet switch connector**

You can use an Ethernet cable (supplied) to connect the PLAY:1 to a router, computer, or additional network device such as a network-attached storage (NAS) device.

**AC power (mains) input**  
(~100-240 V, 50-60 Hz)

Use the supplied power cord to connect to a power outlet.  
*Insert the power cord firmly into the PLAY:1 until it is flush with the bottom of the unit.*

## Selecting a Location

You can locate a SONOS PLAY:1 just about anywhere. For maximum enjoyment, we have a few guidelines:

- The PLAY:1 is designed to work well even when placed next to a wall or other surface. For optimum performance, maintaining more than 1 inch (2.5 cm) clearance around the back of the unit is recommended.
- Care should be taken if placing the PLAY:1 close to an older CRT (cathode ray tube) television. If you notice any discoloration or distortion of your picture quality, simply move the PLAY:1 further from the television.
- The PLAY:1 is *humidity*-resistant so you can use it in the bathroom; however it is not *water*-resistant so don't position it near water or leave it outside during a rain storm.

## Wall Mounting

The SONOS PLAY:1 has a standard 1/4"-20 threaded mounting socket. If desired, you can easily wall mount your PLAY:1 using a suitable mounting bracket (not included). Simply choose a location that's close to an electrical outlet (power cord length is 2m), taking care to avoid heat, steam, dripping water or hidden wiring, and follow the instructions included with the wall mount kit.

**Note:** Be sure the wall mount bracket you purchase will support at least 8lbs. (3.6 kgs) and has a 1/4 inch -20 threaded post.

## Adding to an Existing Sonos System

Once you've got your Sonos music system set up, you can easily add more Sonos components any time (up to 32 rooms).

1. Select a location for your PLAY:1 (see "Selecting a Location" above for optimal placement guidelines.)
2. Attach the power cord to the PLAY:1 and apply power. *Be sure to push the power cord firmly into the bottom of the PLAY:1 until it is flush with the bottom of the unit.*

**Note:** If you want to make a wired connection, connect a standard Ethernet cable from your router or another Sonos component (or a live network wall plate if you have built-in wiring) to an Ethernet port on the back of the PLAY:1.

3. Choose one of the following options:
  - Using a handheld Sonos controller: Select **Add a Sonos Component** from the **Settings** menu and follow the on-screen prompts to add this component to your Sonos system.

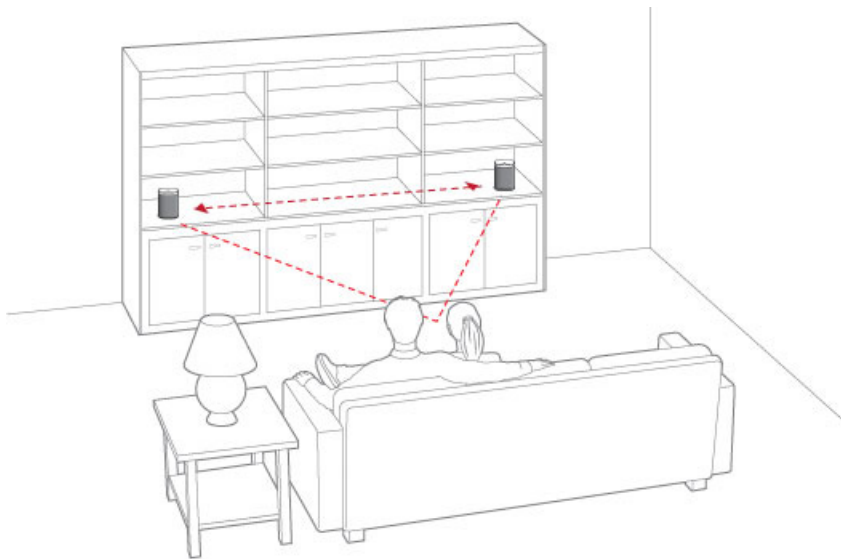
- Using the Sonos Controller for Mac or PC: Select **Add a Sonos Component** from the **Manage** menu and follow the prompts to add this component to your Sonos system.

## Creating a Stereo Pair

The Stereo Pair setting allows you to group two PLAY:1s, PLAY:3s or PLAY:5s in the same room to create a wider stereo experience. In this configuration, one unit serves as the left channel and the other serves as the right channel. You cannot create a mixed stereo pair—the Sonos components in the stereo pair must be the same.

### Optimum placement information

- When creating a stereo pair, it is best to place the two Sonos components 8 to 10 feet away from each other.
- Your favorite listening position should be 8 to 12 feet from the paired Sonos components. Less distance will increase bass, more distance will improve stereo imaging.



**Note:** The Stereo Pair setting is for use with PLAY:1, PLAY:3 and PLAY:5 units only. You cannot create a mixed stereo pair—both Sonos components in the stereo pair must be the same.

### Using a handheld Sonos controller

1. Select **Settings** -> **Room Settings**.
2. Select a PLAY:1 to pair.
3. Select **Create Stereo Pair**, and touch **Next**.
4. Select the other PLAY:1 you wish to pair.
5. When prompted, press the **Volume Up (+)** button on the PLAY:1 you wish to use as the left channel.  
The units automatically connect to form a stereo pair.

### To separate a stereo pair:

1. Select **Settings** -> **Room Settings**.
2. Select the stereo pair you wish to separate (the stereo pair appears with **L + R** in the **Room** name.)
3. Select **Separate Stereo Pair**, and touch **Separate** to confirm.

## Using the Sonos Controller for Mac or PC

1. Choose one of the following:
  - Using the Sonos Controller for PC: Select **Settings** from the **Manage** menu.
  - Using the Sonos Controller for Mac: Select **Preferences** -> **Room Settings** from the **Sonos** menu.
2. Select a **PLAY:1** you want to pair from the **Room Settings** for drop-down list.
3. Click **Create Stereo Pair** and then follow the prompts to set up the stereo pair.

### To separate a stereo pair:

1. Choose one of the following:
  - Using the Sonos Controller for PC: Select **Settings** from the **Manage** menu.
  - Using the Sonos Controller for Mac: Select **Preferences** -> **Room Settings** from the **Sonos** menu.
2. Select the Sonos stereo pair you wish to separate from the **Room Settings** for drop-down (the stereo pair will appear with **L + R** in the room name).
3. On the **Basic** tab, click **Separate Stereo Pair**.
4. Click **Separate**.

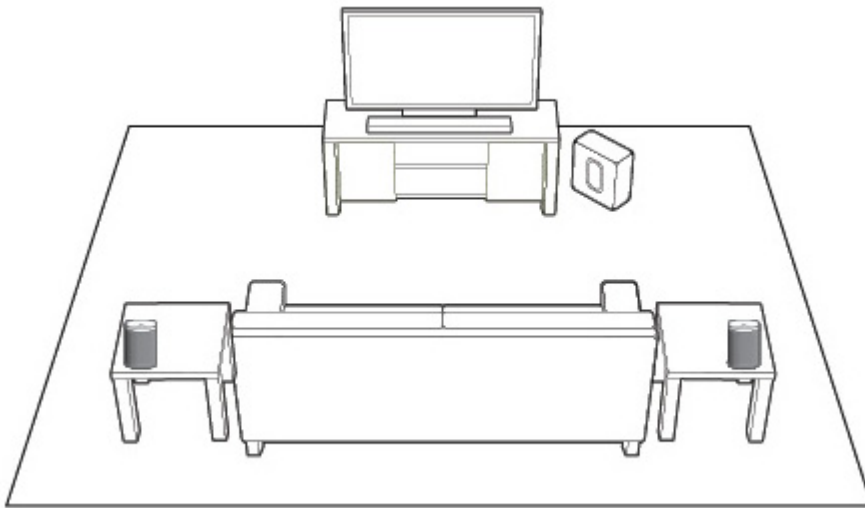


# Surround Speakers

## Adding surround speakers

You can easily pair two PLAY:1 or PLAY:3 components with a PLAYBAR to function as left and right surround channels in your Sonos surround sound experience. You can either configure surround speakers during the setup process, or follow the steps below to add them.

- Make sure the Sonos products are the same—you cannot combine a PLAY:1 and a PLAY:3 to function as surround speakers.
- Be sure to follow these instructions to set up your surround speakers. Do not create a room group or stereo pair as these will not achieve the left and right surround channel functionality.



### Using a handheld Sonos controller

1. From the **Settings** menu, select **Room Settings**.
2. Select the room the PLAYBAR is located in.
3. Select **Add Surround Speakers**.
4. Follow the prompts to add first a left and then a right surround speaker.

### Using the Sonos Controller for Mac or PC

1. Select **Manage** -> **Settings** (PC) or **Sonos** -> **Preferences** (Mac).
2. Select **Room Settings** if it is not already highlighted on the left.
3. From the **Basic** tab, select **Add Surround Speakers**.
4. Follow the prompts to add first a left and then a right surround speaker.

## Surround settings

The default audio settings are determined by the calibration process. If you wish to make a change, you can follow the steps below.

### Using a handheld Sonos controller

1. From the **Settings** menu, select **Room Settings**.
2. Select the room the SONOS PLAYBAR and surround speakers are located in. It appears as *Room (+LS+RS)* on the **Room Settings** menu.
3. Select **Advanced Audio -> Surround Settings**.
4. Choose one of the following:
  - **SURROUNDS**: Choose **On** or **Off** to turn the sound from the surround speakers on and off.
  - Drag your finger across the slider to increase or decrease the volume of the surround speakers.

### Using the Sonos Controller for Mac or PC

1. Select **Manage -> Settings** (PC) or **Sonos -> Preferences** (Mac).
2. Select **Room Settings** if it is not already highlighted on the left.
3. Choose the room the SONOS PLAYBAR and surround speakers are located in from the **Room Settings for** drop-down.
4. Select the **Surrounds** tab.
5. Choose one of the following:
  - **SURROUNDS**: Check to turn the sound from the surround speakers on; uncheck to turn it off.
  - Click and drag the slider to increase or decrease the volume of the surround speakers.
6. Close the **Settings** window when changes are complete.

## Removing surround speakers

### Using a handheld Sonos controller

1. From the **Settings** menu, select **Room Settings**.
2. Select the room the surround speakers are associated with. The room name appears as *Room (+LS+RS)* on the **Room Settings** menu.
3. Select **Remove Surround Speakers**.
4. Select **Next** to drop the surround sound speakers from your surround system. If these were newly purchased PLAY:1s they will appear as **Unused** on the **Rooms** menu. If these PLAY:1s existed in your household previously, they revert back to their previous state.

You can now move them to another room for individual use. If you want to add them back as surround speakers, see "Surround Speakers" on page 7 for help.

## Using the Sonos Controller for Mac or PC

1. Select **Manage** -> **Settings** (PC) or **Sonos** -> **Preferences** (Mac).
2. Select **Room Settings** if it is not already highlighted on the left.
3. Choose the room the SONOS PLAYBAR is located in from the **Room Settings for** drop-down list. The room name appears as *Room (+LS+RS)*.
4. From the **Basic** tab, click **Remove Surround Speakers**. If these were newly purchased PLAY:1s, they will appear as **Unused** in the **Rooms** pane. If these PLAY:1s existed in your household previously, they revert back to their previous state.

## Playing Music

You can use any Sonos controller to select music—simply touch to select from the **Music** menu on a handheld controller, or click to select from the **MUSIC** pane within the Sonos Controller for Mac or PC.

### Radio

Sonos includes a radio guide that provides immediate access to thousands of free Internet radio stations and broadcast programs. You can easily find radio stations from all over the world—music, news, and variety programming, including archived shows and podcasts.

To select a radio station, simply select **Radio** and choose a station.

### Music services

A music service is an online music store or online service that sells audio on a per-song, per audiobook, or subscription basis. Sonos is compatible with several music services - you can visit our Web site at [www.sonos.com/howitworks/music/partners](http://www.sonos.com/howitworks/music/partners) for the latest list. (Some music services may not be available in your country. Please check the individual music service's Web site for more information.)

If you are currently subscribed to a music service that's compatible with Sonos, simply add your music service user name and password information to Sonos as needed and you'll have instant access to the music service from your Sonos system.

1. To add a music service, touch **More Music** from the **Music** menu on your handheld controller.
2. Select the Sonos-compatible music service you would like to add.
3. Select **I already have an account**. Type your music service user name and password, and then touch **OK**. Your user name and password will be verified with the music service.

As soon as your credentials have been verified, the music service displays on the **Music** menu.

Free music service trials are available in some countries. (Please check the individual music service's Web site for more information.) If there is a music service trial visible on your **More Music** menu, simply touch it to select. Touch **I'm new to [music service]**, and then follow the prompts to activate the music trial. After the trial period is up, you will need to subscribe to the music service to keep the music playing.

## Local music library

The Sonos system can play music from any computer or network-attached storage (NAS) device on your home network where you have shared music folders. During the setup process, you are guided through the process of accessing your local music library (such as your iTunes library). Over time, you may wish to add or remove folders from this list.

To make changes to your local music library, select the **Settings** menu from a handheld Sonos controller and then choose one of the following options:

- To add a new music folder, select **Manage Music Library**-> **Music Library Setup** -> **Add New Share**.
- To remove a music folders, select **Manage Music Library** -> **Music Library Setup**. Touch the share you wish to remove and then select **Remove**.

The Sonos system indexes your local music so you can view your music collection by categories (such as artists, albums, composers, genres, or tracks.) If you add new music, simply update your music index to add this music to your Sonos music library.

- To update your music library, select **Manage Music Library** -> **Update Music Index Now**. If you'd like your music library to update automatically each day, select **Schedule Music Index Updates** and then select an update time.

## Wireless iTunes playback from iOS devices

You can select and play music and podcasts stored on any iPad, iPhone, or iPod touch that's on the same network as your Sonos components. Playback is perfectly synchronized, in any or every room of your home. Simply choose **This iPad**, **This iPhone**, or **This iPod touch** from the Sonos app on your iOS device to make audio selections and then you can use any Sonos controller to control playback.

Wireless iTunes playback is compatible with:

- iPod touch, 4th generation or later (running iOS 6 or later)
- iPhone 3GS or later (running iOS 6 or later)
- iPad 2 (running iOS 6 or later)
- iPad, 3rd generation or later (running iOS 6 or later)
- iPad mini

## Wireless playback from Android devices

You can select and play music stored on any Android device that's on the same network as your Sonos components. Playback is perfectly synchronized, in any or every room of your home. Simply choose **This Mobile Device** from the Sonos app on your Android smartphone or tablet to make audio selections and then you can use any Sonos controller to control playback.

Wireless music playback is compatible with Sonos software update 4.1.1 and higher, and any device running Android 2.1 and higher. (Wireless playback of podcasts is supported on Android 2.2 and higher.)

## Equalization Settings

The SONOS PLAY:1 ships with the equalization settings preset to provide the optimal playback experience. If desired, you can change the sound settings (bass, treble, balance, or loudness) to suit your personal preferences.

**Note:** Balance is only adjustable when the PLAY:1 is used in a stereo pair.

1. Using a handheld controller, select **Settings** -> **Room Settings**.
2. Touch to select a room.
3. Select **Music Equalization**, and then drag your finger across the sliders to make adjustments.
4. To change the Loudness setting, touch **On** or **Off**. (The loudness setting boosts certain frequencies, including bass, to improve the sound at low volume.)

## Basic Troubleshooting

**Note:** Do not open the device as there is a risk of electric shock. Under no circumstances should the product be repaired by anyone other than an authorized Sonos repair center, as this will invalidate the warranty. Please contact Sonos Customer Support for more information.

If a problem occurs, you can try the troubleshooting suggestions listed below. If one of these doesn't remedy the problem, or you are not sure how to proceed, please contact the Sonos Customer Support team and we'll be happy to help.

### PLAY:1 not detected during setup

A network issue may be preventing the PLAY:1 from connecting to your Sonos system. If this is a wireless PLAY:1, try moving the Sonos components closer together, or use an Ethernet cable to hard wire the PLAY:1 to your router temporarily to see if the problem is related to wireless interference.

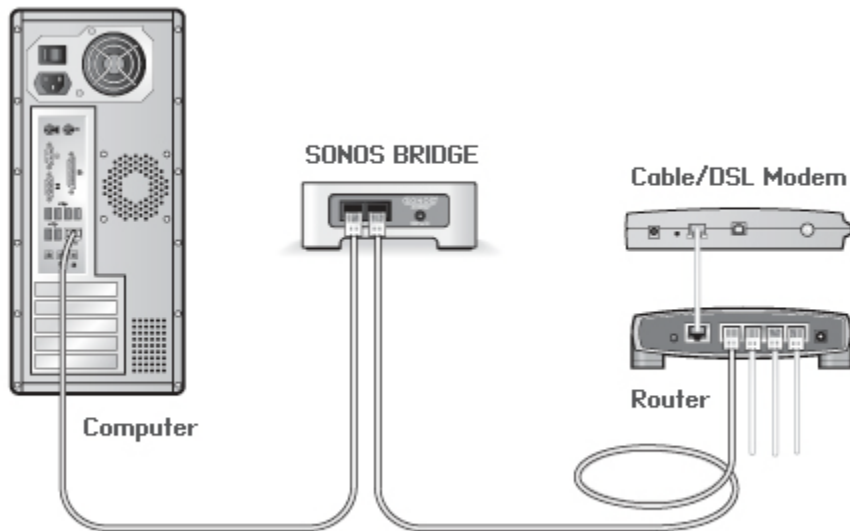
If you encounter this message while a Sonos component is connected to your router, you can try the steps below to resolve this issue. If you are still experiencing problems, please contact Sonos Customer Support.

#### 1. Check the firewall

If you are using a computer, firewall software may be blocking the ports that Sonos uses to operate. First, disable all your firewalls and try to connect again. If this resolves the problem, you should configure your firewall to work with the Sonos Controller for Mac or PC. Please go to our Web site at <http://faq.sonos.com/firewall> for additional information. If this does not resolve the problem, you can try step 2 below.

#### 2. Check the router

You can bypass your router's switch to determine whether there are any router configuration issues by connecting a BRIDGE (or other Sonos component) as depicted in the following illustration (note that the BRIDGE and the computer still have Internet access in this configuration):



- Be sure that your cable/DSL modem is connected to the router's WAN (Internet) port.
- Temporarily remove any other components that are wired to your network.
- Connect an Ethernet cable from the computer directly to the back of the Sonos component, and then connect another Ethernet cable from the Sonos component directly to one of the LAN ports on your router.
- When you make a change to your network configuration, you may need to power cycle the Sonos component by unplugging the power cord, and then plugging it back in.
- If you are not using a router, you can visit our Web site at <http://faq.sonos.com/norouter> for more information.

### 3. Check the wiring

Check the link/activity lights on both the router and the Sonos component. The link lights should be lit solid and the activity lights should be blinking.

- If the link lights are not lit, try connecting to a different port on your router.
- If the link lights still do not light, try using a different Ethernet cable.

## Not all rooms are visible

You are probably experiencing wireless interference. Change the wireless channel your Sonos system is operating on by following the steps below.

- Using a handheld Sonos controller: From the **Settings** menu, touch **Advanced Settings**, and then **Wireless Channel**. Choose another wireless channel from the list.
- Using the Sonos Controller for PC: Select **Settings** -> **Advanced** from the **Manage** menu. On the **General** tab, select another wireless channel from the list.
- Using the Sonos Controller for Mac: Select **Preferences** -> **Advanced** from the **Sonos** menu. On the **General** tab, select another wireless channel from the list.

It may take several seconds for the switch to take effect. If you have music playing, a short music dropout may occur during the wireless channel change.

## Indicator Light Explanations

PLAY:1 Status Indicator	State	Additional Information
Solid white	Powered up and associated with a Sonos system	
Solid green	Volume set to zero or muted	
Flashing white	Powering up	
Flashing green and white	Not associated with a Sonos system	
Slow flashing green	Surround audio is off	Applicable when PLAY:1 configured as PLAYBAR surround speaker
Rapid flashing amber	Playback / Next Track failed	Indicates either playback or next track was not possible
Flashing amber and then white	Fault mode	The PLAY:1 is experiencing a fault condition. Volume is muted when player is in fault mode. <ul style="list-style-type: none"><li>• Check the room temperature to make sure it's less than 104°F/40° C</li><li>• If the PLAY:1 is in direct sunlight, provide shade</li><li>• Press the <b>Pause</b> button to stop the audio and then press <b>Play</b> to re-start</li></ul>

## Important Safety Information

1. Read these instructions.
2. Keep these instructions.
3. Heed all warnings.
4. Follow all instructions.
5. Do not use this apparatus near water.
6. Clean only with dry soft cloth. Household cleaners or solvents can damage the finish on your Sonos components.
7. Do not install near any heat sources such as radiators, heat registers, stoves, or other apparatus that produce heat.
8. Protect the power cable from being walked on or pinched, particularly at plugs, convenience receptacles, and the point where they exit from the apparatus.
9. Only use attachments/accessories specified by the manufacturer.
10. Unplug this apparatus during lightning storms or when unused for long periods of time.
11. Refer all servicing to Sonos qualified service personnel. Servicing is required when the apparatus has been damaged in any way, such as power-supply cable or plug is damaged, liquid has been spilled or objects have fallen into the apparatus, the apparatus has been exposed to rain or moisture, does not operate normally, or has been dropped.
12. The AC Mains plug should be readily available to disconnect the equipment.
13. **Warning:** To reduce the risk of fire or electric shock, do not expose this apparatus to rain or moisture.
14. Do not expose apparatus to dripping or splashing and do not place objects filled with liquids, such as vases, on the apparatus.
15. If wall mounting your Sonos components, make sure to use proper third-party wall mounting hardware and follow all their instructions.



# Specifications

Feature	Description
<b>Audio</b>	
Amplifier	Two Class-D digital amplifiers
Tweeter	One tweeter creates a crisp and accurate high frequency response
Mid-Woofer	One mid-woofer ensures the faithful reproduction of mid-range frequencies crucial for accurate playback of vocals and instruments, as well as delivery of deep, rich bass
Stereo Pair setting	Turns two PLAY:1s into separate left and right channel speakers
5.1 Home Theater	Add two PLAY:1 speakers to PLAYBAR and SUB for a true surround sound experience
<b>Music</b>	
Audio Formats Supported	<p>Support for compressed MP3, iTunes Plus, WMA (including purchased Windows Media downloads), AAC (MPEG4), AAC+, Ogg Vorbis, Audible (format 4), Apple Lossless, Flac (lossless) music files, as well as uncompressed WAV and AIFF files.</p> <p>Native support for 44.1kHz sample rates. Additional support for 48kHz, 32kHz, 24kHz, 22kHz, 16kHz, 11kHz, and 8kHz sample rates.</p> <p>Note: Apple "Fairplay", AAC Enhanced and WMA Lossless formats not currently supported. Previously purchased Apple "Fairplay" DRM-protected songs may be upgraded. See Apple for details.</p>
Music Services Supported	Sonos works seamlessly with 7Digital, 8Tracks, Amazon Cloud Player, AUPEO!, Dar.fm, Deezer, Hearts of Space, iHeartRadio, JB Hi-Fi NOW, JUKE, Last.fm, MOG, Murfie, Napster®, Pandora®, Qobuz, Rdio®, Rhapsody®, SiriusXM™ Internet Radio, Simfy, Slacker® Radio, Songl, Songza, Spotify®, Stitcher SmartRadio™, TuneIn, Wolfgang's Vault®, WiMP, and downloads from any service offering DRM-free tracks (service availability varies by region)
Operating Systems (for stored files)	Windows® XP SP3 and higher; Macintosh OS X 10.6 and higher; NAS (network-attached storage) devices supporting CIFS
Internet Radio Supported	Streaming MP3, WMA
Album Art Supported	JPEG, PNG, BMP, GIF
Playlists Supported	iTunes, WinAmp, Windows Media Player, and MusicMatch (.m3u, .pls, .wpl)
<b>Networking*</b>	
Wireless Connectivity	SonosNet 2.0, a secure AES encrypted, peer-to-peer wireless mesh network
Ethernet Port	One 10/100Mbps Ethernet port
SonosNet Extender	Functions to extend and enhance the power of SONOSNet 2.0
<b>General</b>	
Power Supply	AC 120/240V, 50-60 Hz, auto-switchable
Top Panel Buttons	<p>Volume and Play/Pause.</p> <p>Press Play/Pause button once to start or stop the music; twice to skip to the next track</p>

Top Panel LED	Indicates PLAY:1 status
Dimensions (H x W x D)	6.36 x 4.69 x 4.69 (in) / 161.45 x 119.7 X 119.7 (mm)
Threaded mount	Standard 1/4"-20 threaded mounting socket
Weight	4.08 lb (1.85 kg)
Operating Temperature	32° to 113° F (0° to 45° C)
Storage Temperature	4° to 158° F (-20° to 70° C)
Humidity Resistant	Designed to withstand high-humidity, such as in a bathroom with a running shower. (The PLAY:1 is not waterproof or water resistant.)
Product Finish	White with light metallic grille; black with graphite grille

\* Specifications subject to change without notice.