



SPECIALISTS IN PRACTICAL PRECISION ENGINEERING™

max RACK-UP® SERIES Model RU-AVX4 Audio/Video Switcher

ANYWHERE YOU NEED...

- Video and Stereo Audio Switching
- Four Video and Four Stereo Audio Inputs
- Consumer Format Input/Output Jacks
- 10 MHz Video Bandwidth – NTSC or PAL
- Long-Life Keyboard Style Pushbuttons
- Rear-Panel Remote Control Connections
- Professional Quality Performance

You Need The RU-AVX4!



The RU-AVX4 is part of the group of versatile RACK-UP products from Radio Design Labs. RACK-UPS feature the advanced circuitry for which RDL products are known, combined with accessible, user-friendly controls and displays. The ultra-compact design permits high-density installations, with three products mounted in a single rack unit! Optional surface mounting brackets and rack-mount adapters (RU-RA3HD) are available.

APPLICATION: The RU-AVX4 is the ideal choice in installations where a single set of audio/video signals needs to be selected from up to 4 consumer format (phono jack) video and audio sources. Video signal quality, audio performance and pushbutton durability are equal to that found in professional switchers. Audio and video source selection uses all solid-state switching. High quality audio and video line driver amplifiers feed the module's output.

The RU-AVX4 has four separate inputs and a single output on the rear panel. The inputs and output provide one video phono jack and two associated (left and right) audio phono jacks. When power is first applied to the module, input 1 (default) is automatically selected. Four keyboard style long-life pushbuttons on the front panel are used to select one of the inputs at a time. When a button is pushed, the corresponding video and audio input is fed to the output of the RU-AVX4 and any previously selected source is shut off. Only one source may be selected at a time.

The RU-AVX4 rear-panel terminal block provides four connections to remotely control the module. A momentary external closure to ground on an input terminal will select the associated input. The next source selection may be made from either the front-panel buttons or from a rear-panel terminal. Because the remote control terminals require a momentary closure to ground, the RU-AVX4 may be controlled from a variety of RDL wall mounted remote controls. It also may be connected as a slave from other RDL 4-input modules, or from other switching circuits. Continuous remote closures will select inputs while disabling source selection by the front-panel buttons.

An LED indicator above each front-panel button shows which input is selected, whether the input was selected from the front panel or by remote control. The RU-AVX4 operates from 24 VDC which may be connected either through the DC power jack or the terminal block. An internal automatically resetting fuse protects against damage if the power terminals are accidentally shorted while power is applied through the DC jack.

Wherever low noise and low distortion audio coupled with professional quality video switching is required for consumer format signals, the RU-AVX4 is the ideal choice. Use the RU-AVX4 individually, or combine it with other RDL RACK-UP or STICK-ON® products as part of a complete audio/video system.



RDL[®]
Radio Design Labs

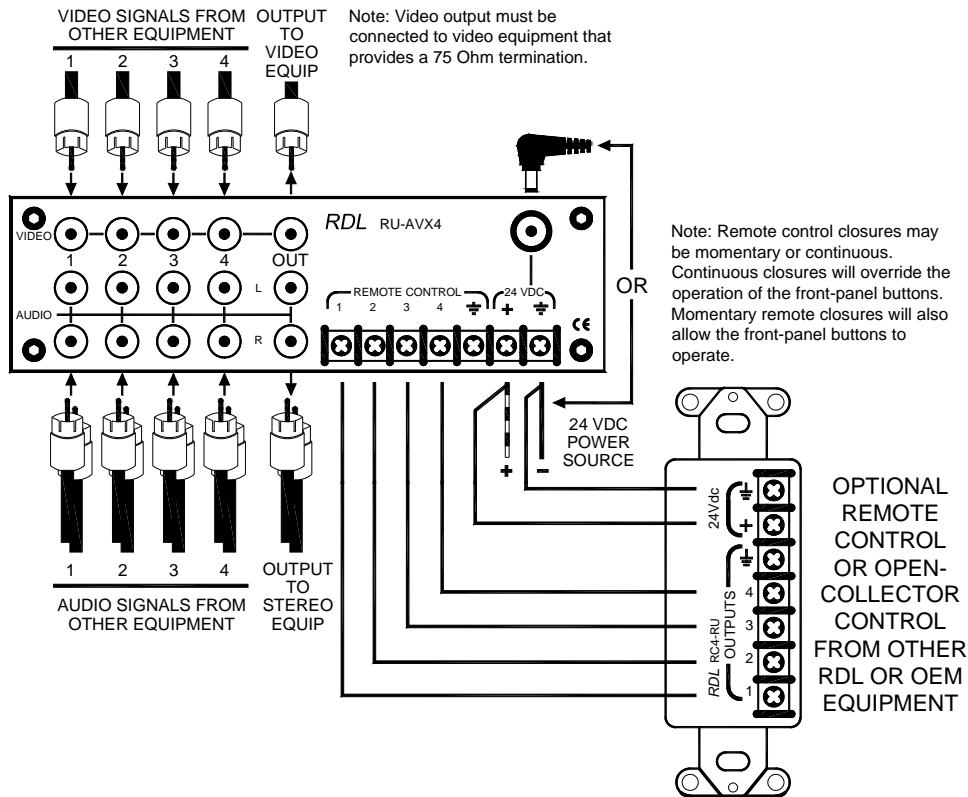
SPECIALISTS IN PRACTICAL PRECISION ENGINEERING™



max RACK-UP® SERIES
Model RU-AVX4
Audio/Video Switcher

Installation/Operation

CE EN55103-1 E1-E5; EN55103-2 E1-E4
Typical Performance reflects product at publication time exclusive of EMC data, if any, supplied with product. Specifications are subject to change without notice.



TYPICAL PERFORMANCE

VIDEO

Inputs (4): 75 Ω, phono jack with gold contacts
 Input level: 1 V p-p
 Output: 75 Ω, phono jack with gold contacts
 Frequency Response: 10 Hz to 10 MHz (+/- 0.35 dB)
 Residual Noise: < -70 dB referred to 1 V p-p video
 Off attenuation: > 78 dB
 Differential gain: 0.1%
 Differential phase: < 0.3 degree

AUDIO

Inputs (4): 10 kΩ, unbalanced stereo (left and right) phono jacks
 Gain: Unity nominal (+0, -1 dB)
 Input level: -10 dBV nominal
 Output: 75 Ω, unbalanced stereo (left and right) phono jacks
 Frequency Response: 10 Hz to 60 kHz (+/- 0.05 dB)
 Total Harmonic Distortion: < 0.010% (20 Hz to 20 kHz)
 Headroom: > 20 dB (at rated input/output level of -10 dBV)
 Noise: -95 dB referred to -10 dBV (20 Hz to 20 kHz)
 OFF attenuation: > 74 dB (20 Hz to 20 kHz)
 Crosstalk: Below noise floor (inputs terminated)
 Power Requirement: 24 to 33 Vdc @ 100 mA, Ground-referenced

Radio Design Labs Technical Support Centers
 U.S.A. (800) 933-1780, (928) 778-3554; Fax: (928) 778-3506
 Europe [NH Amsterdam] (+31) 20-6238 983; Fax: (+31) 20-6225-287