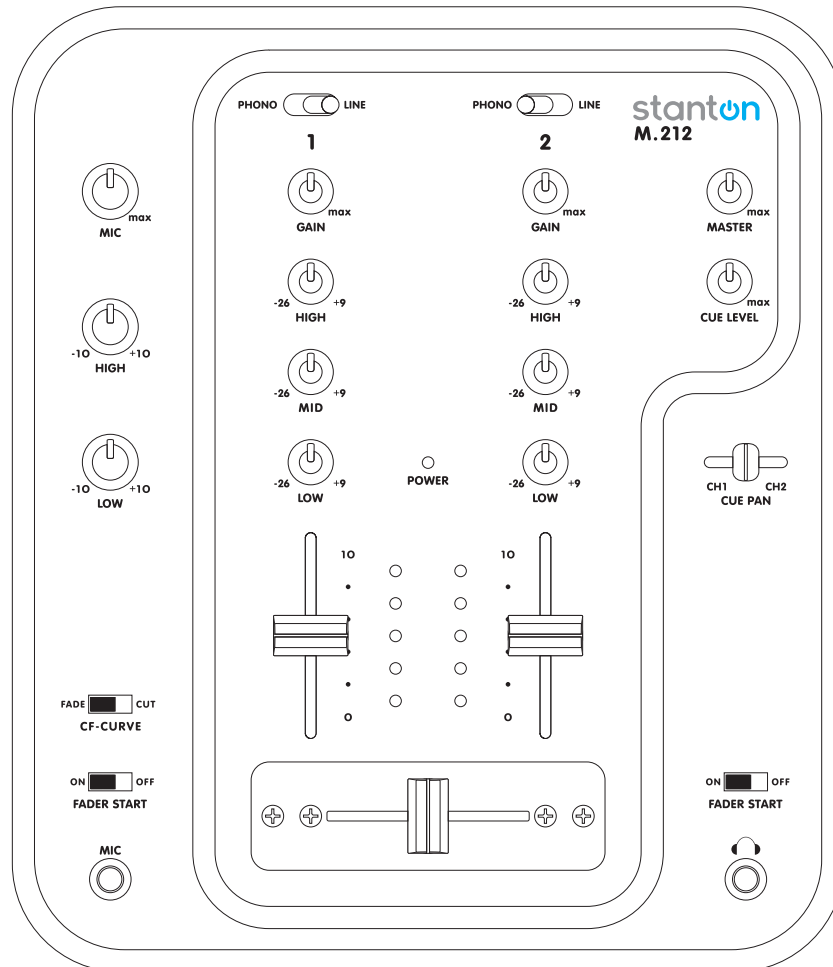


# stanton

## M.212

### PROFESSIONAL TABLE TOP MIXER



## USER'S MANUAL

## IMPORTANT SAFETY PRECAUTIONS

1. **Read Instructions** – All the safety and operating instructions should be read before this product is operated.
2. **Retain Instructions** – The safety and operating instructions should be retained for future reference.
3. **Heed Warnings** – All warnings on the appliance and in the operating instructions should be adhered to.
4. **Follow Instructions** – All operating and use instructions should be followed.
5. **Water and Moisture** – The appliance should not be used near water - for example, near a bathtub, washbowl, kitchen sink, laundry tub, in a wet basement, or near a swimming pool, and the like.
6. **Heat** – Appliance should be situated away from heat sources such as radiators, heat registers, stoves, or other appliances (including amplifiers) that produce heat.
7. **Power Sources** – This product should be operated only from the type of power source indicated on the rating label. If you are not sure of the type of power supply to your home, consult your product dealer or local power company. For products intended to operate from battery power, or other sources, refer the operating instructions.
8. **Grounding or Polarization** – This product may be equipped with a polarized alternation-current line plug (a plug having one blade wider than the other). This plug will fit into the power outlet only one way. This is a safety feature. If you are unable to insert the plug fully into the outlet, try reversing the plug. If the plug should still fail to fit, contact your electrician to replace your obsolete outlet. Do not defeat the safety purpose of the polarized plug.
9. **Power-Cord Protection** – Power-supply cords should be routed so that they are not likely to be walked on or pinched by items placed upon or against them, paying particular attention to the cord in correspondence of plugs, convenience receptacles, and the point where they exit from the appliance.
10. **Cleaning** – The appliance should be cleaned only as recommended by the manufacturer. Clean by wiping with a cloth slightly damp with water. Avoid getting water inside the appliance.
11. **Non-use Periods** – The power cord of the appliance should be unplugged from the outlet when left unused for a long period of time.
12. **Object and Liquid Entry** – Care should be taken so that objects do not fall and liquids are not spilled into the enclosure through openings.
13. **Damage Requiring Service** – The appliance should be serviced by qualified service personnel when:
  - A. The power-supply cord or the plug has been damaged; or
  - B. Objects have fallen, or liquid has been spilled into the appliance; or
  - C. The appliance has been exposed to rain; or
  - D. The appliance does not appear to operate normally or exhibits a marked change in performance; or
  - E. The appliance has been dropped, or the enclosure damaged.
14. **Servicing** – The user should not attempt any service to the appliance beyond that described in the operating instructions. All other servicing should be referred to qualified service personnel.
15. **Ventilation** – Slots and openings in the cabinet are provided for ventilation and to ensure reliable operation of the product and to protect it from overheating, and these openings must not be blocked or covered. The openings should never be blocked by placing the product on a bed, sofa, rug, or other similar surface. This product should not be placed in a built-in installation such as a bookcase or rack unless proper ventilation is the manufacturer's instructions have been adhered to.
16. **Attachments** – do not use attachments not recommended by the product manufacturer as they may cause hazards.
17. **Accessories** – Do not place this product on an unstable cart, stand, tripod, bracket, or table. The product may fall, causing serious injury to a child or adult, and serious damage to the product. Use only with a cart, stand, tripod, bracket, or table recommended by the manufacturer, or sold with the product. Any mounting of the product should follow the manufacturer's instructions, and should use a mounting accessory recommended by the manufacturer.
18. **Replacement Parts** – When replacement parts are required, be sure the service technician has used replacement parts specified by the manufacturer or have the same characteristics as the original part. Unauthorized substitutions may result in fire, electric shock, or other hazards.
19. **Safety Check** – Upon completion of any service or repairs to this product, ask the service technician to perform safety checks to determine that the product is in proper operating conditions.
20. **This product is in compliance with EU WEEE regulations.** Disposal of end of life product should not be treated as municipal waste. Please refer to your local regulations for instructions on proper disposal of this product.
21. **Carts and Stands** – The appliance should be used only with a cart or stand that is recommended by the manufacturer. An appliance and cart combination should be moved with care. Quick stops, excessive force, and uneven surfaces may cause the appliance and cart combination to overturn.

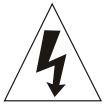


### CAUTION

RISK OF ELECTRIC SHOCK  
DO NOT OPEN



**CAUTION:** To reduce the risk of electric shock, do not remove any cover. No user-serviceable parts inside. Refer servicing to qualified service personnel only.



The lightning flash with arrowhead symbol within the equilateral triangle is intended to alert the user to the presence of un-insulated “dangerous voltage” within the product’s enclosure that may be of sufficient magnitude to constitute a risk of electric shock.



The exclamation point within the equilateral triangle is intended to alert the user to the presence of important operation and maintenance (servicing) instructions in the literature accompanying this appliance.

**CAUTION:** To prevent electric shock, do not use this polarized plug with an extension cord, receptacle or other outlet unless the blades can be fully inserted to prevent blade exposure.

## INTRODUCTION

Thank you for purchasing Stanton's newest innovation in professional tabletop mixer. The M.212 mixer was designed to bring style and reliability to the mobile or club DJ at an affordable cost.

## MAIN FEATURES

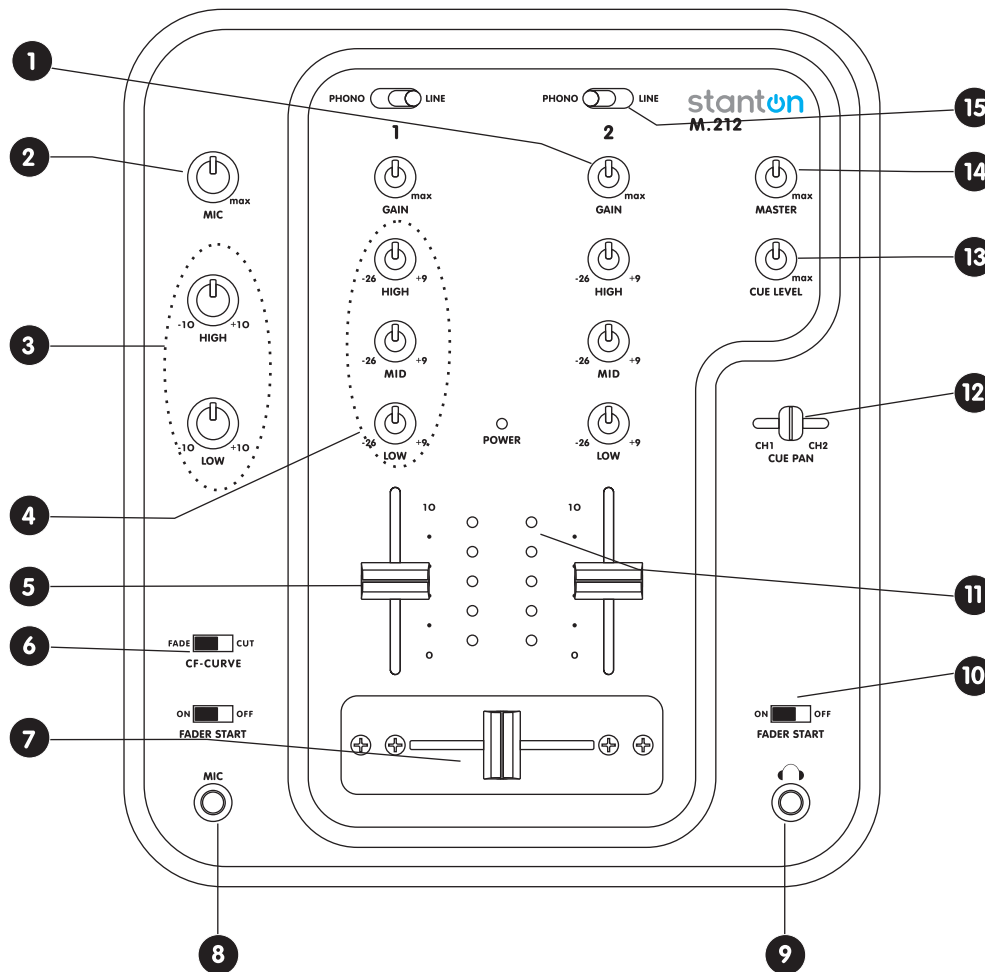
- 2 bend EQ w/ input GAIN control per channel.
- Fader Start
- Power on/off muting
- Long Life crossfader
- Crossfader curve control

## ACCESSORIES

### Checking Package Contents

Check that the carton contains the following items:

- (1) M.212 Mixer
- (2) AC adaptor
- (3) User's Manual



**1. Channel Gain** - Adjusts the pre-fader volume for cleaner sound. Reduce the channel gain if you notice the level indicators flashing red.

**2. Mic Input Gain** - Adjusts microphone input level.

**3. Mic EQ** - The mic channel includes a two-band EQ with a range of +10 dB to -10 dB.

**4. Channel EQ** - Adjusts the high, mid and low frequency levels of the input channels for either making the treble or bass louder or to be used as an effect.

**5. Input Fader** - Controls individual source levels (channels) in the mix.

**6. Crossfader Curve** - The CUT setting allows the use of the crossfader for quick cut in and out when scratching and mixing. The FADE setting is used for longer segues, typically when mixing between two beat-matched sources.

**7. Crossfader** - Used to mix the sound from both channels.

**8. Mic Input** - Insert your 1/4" microphone plug here.

**9. Headphone Input** - Insert your 1/4" headphone plugs here.

**10. Fader Start On/Off Switch** - When the unit has been connected to a CD player using a control cable, this becomes the On/Off switch to automatically start and stop the CD player while using the crossfader.

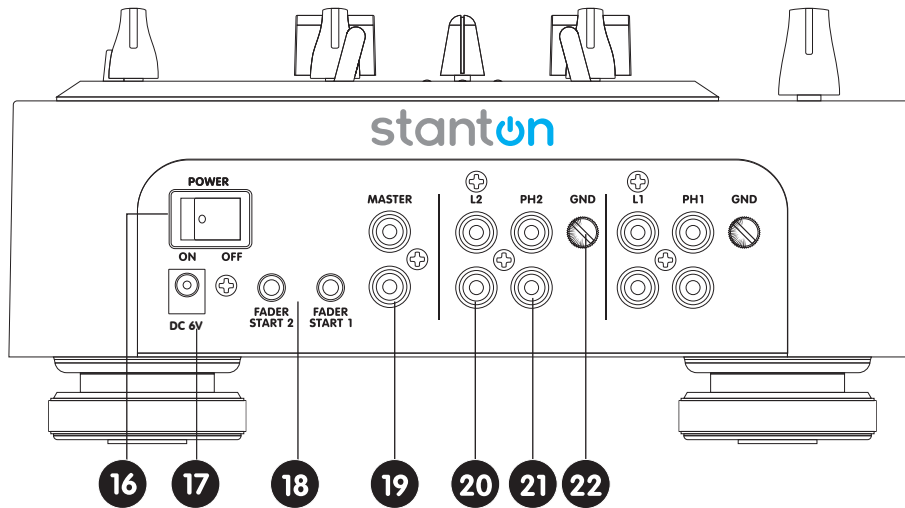
**11. Level Indicators** - The dual LED indicators are used to indicate the master output level of the Right and Left channels.

**12. Channel Cue / Cue Pan** - Used to preview channel audio to your headphones. Listen here before bringing up channel faders or moving the crossfader.

**13. Headphone Level** - Adjusts cue volume.

**14. Master Level** - Controls the overall output level.

**15. Input Toggle Switch** - Selects which source will be active based on what you have connected to the rear panel input section (phono/line).



**16. Power Switch** - Turns unit off and on.

**17. Power Connector** - Plug in the included power supply here.

**18. Fader Start Control Jacks** - Connect these jacks to the Fader input jacks of the CD player using the 3.5mm stereo mini cord.

**19. Master Output** - Unbalanced RCA connectors controlled by the Master level.

**20. Line Inputs** - Unbalanced RCA jacks for connecting stereo audio from line level sources such as CD players, HiFi VCRs, cassette decks, DAT machines, laser discs, tuners, even synthesizers or other mixing consoles.

Note: Plug mono audio sources into both Left and Right inputs using a "Y" cable connector.

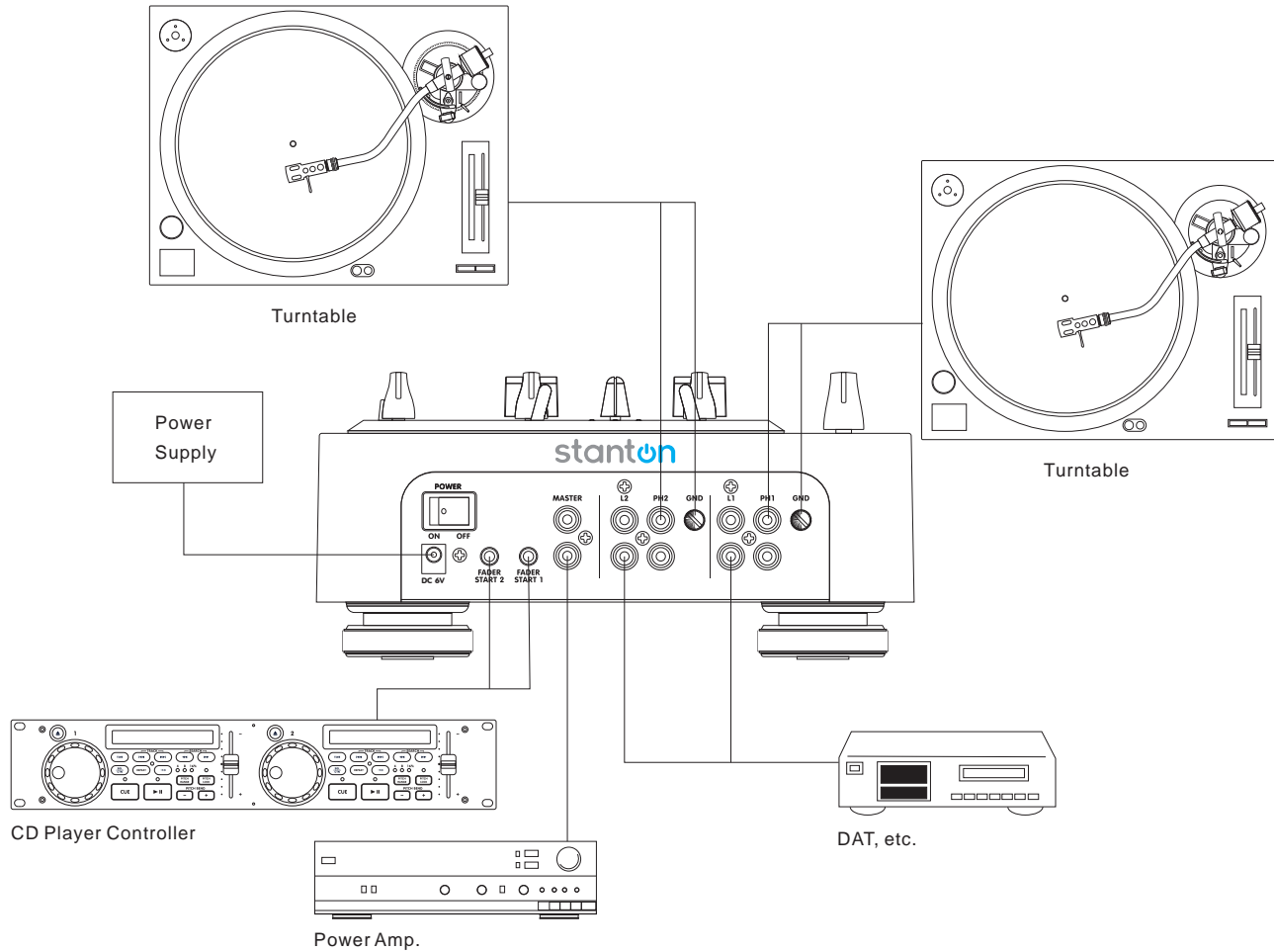
**21. Phono Inputs** - Plug your turntables in here. When these connectors are used, your signal is fed directly to the high-quality RIAA phono pre-amplifiers. Use this position only for turntables. Line level sources will overload the sensitive phono preamps and will cause distortion.

**22. GND** - Connect each of your turntable ground leads to either of the two ground terminals.

## QUICK SETUP DIAGRAM

Review this setup diagram. Make sure all faders are at "zero" and all devices are off. First, connect all input sources and processors. Next, connect your microphone and monitor headphones. Finally, connect the stereo outputs to the power amplifier(s) and/or audio receivers such as tape decks. Plug your mixer into AC power. Now you are ready to switch everything on.

**IMPORTANT:** Always switch on your audio input sources, such as turntables or CD players first, then your mixer, and finally any amplifiers. When turning off, always reverse this operation by turning off amplifiers, then your mixer, and then input devices.



## SPECIFICATIONS

### Input / output impedance & sensitivity: (Master 0 dBV output, load= 100k ohm, Max, Gain, EQ flat)

Line 10k ohm /-14 dBV (200 mV) +/- 2 dB  
Phono 47k ohm /-50 dBV (3.16mV) +/- 2 dB  
Mic 2.2k ohm /-60 dBV (1mV) +/- 2 dB  
Master 1k ohm  
Phones 33 ohm / 0 dBV (1V) ±2 dB

### Max. output (THD= 1%, Maximum gain, EQ flat)

Master More than +18 dBV (8.0V) at load= 100k ohm  
Phones More than +4 dBV (1.6V) at load= 32 ohm

**Channel balance:** Within 3 dB

### Frequency response: (Master output, EQ flat)

Line 20-20 kHz +/- 2 dB  
Phono 20-20 kHz +2, -3 dB (RIAA)  
Mic 20-20 kHz +2/-3 dB

### S/N ratio: (Maximum gain, master 0 dBV output, EQ flat, w/20 kHz LPF, A-weighted)

Line Less than -80 dBV  
Phono Less than -70 dBV  
Mic Less than -60 dBV

### THD + N: (Master 0 dBV output, maximum gain, w/ 20 kHz LPF)

Line Less than 0.05% 20 - 20 kHz  
Phono Less than 0.1% 20 - 20 kHz (IEC-A WTD)  
Mic Less than 0.2% 20 - 20 kHz (IEC-A WTD)  
Phones Less than 0.1% 20 - 20 kHz (From line input)

### Crosstalk: (From master output, A-weighted)

Line/Phono More than 70 dB at 1 kHz between L and R  
More than 70 dB at 1 kHz between channels

### MIC EQ:

Hi 10 +/- 2 dB at 10 kHz  
-10 +/- 2 dB at 10 kHz  
Low 10 +/- 2 dB at 100 Hz  
-10 +/- 2 dB at 100 Hz

### Channel EQ:

Hi 9 +/- 2 dB at 13 kHz  
-15 +/- 3 dB at 13 kHz  
Mid 9 +/- 2 dB at 1 kHz  
Less than -23 dB at 1 kHz  
Low 9 +/- 2 dB at 70 Hz  
-26 +/- 3 dB at 70 Hz

**Power Source:** DC 6V

**Dimensions:** 230 (W) X 267 (D) X 111 (H) mm

**Weight:** 1.65 kg

## WARRANTY & RETURN POLICY

### Warranty

Through Stanton's authorized dealers around the World, Stanton, or one of Stanton's authorized distributors outside the U.S., will, without charge, repair or replace, at the sole discretion of the entity responsible for making the repair or providing the replacement, any Stanton merchandise proved defective in material or workmanship for a period of one year following the date of original purchase. Exceptions to this warranty are as noted below:

The warranty for mechanical parts which are subject to wear and tear are limited to the earlier of either thirty (30) days following the date of original purchase or the following number of cycles: Faders - 15,000; Rotary potentiometers - 10,000; and Switches - 10,000.

Stanton will warrant all replacement parts and repairs for ninety (90) days from the date of original shipment. Repairs made necessary by reason of misuse, alteration, normal wear, or accident are not covered under this warranty.

### Returns

Authorized Stanton dealers are only authorized to sell and distribute merchandise within a specific country. All goods requiring warranty repair or replacement must be returned (freight prepaid if not hand-delivered) to the authorized Stanton dealer from whom the merchandise was purchased and in the same country where the merchandise was purchased. For purposes of purchases made via the Internet, the merchandise must be returned to the authorized Stanton dealer in the country where the authorized Stanton dealer which sold the merchandise to purchaser is located and not the authorized Stanton dealer in the country where the purchaser is located or the country in which the merchandise was received. Any returns to a non-authorized dealer or to an authorized Stanton dealer not in the same country as the merchandise was intended to be sold or as set forth above will void this warranty.

To initiate a warranty repair, you must contact the authorized Stanton dealer from whom you purchased the merchandise, and follow such authorized Stanton dealer's return policy.

Stanton assumes no risk and shall be subject to no liability for damages or loss resulting from the specific use or application made of the merchandise. Stanton's liability for any claim, whether based on breach of contract, negligence, infringement of any rights of any party, or product liability, and relating to the merchandise shall not exceed the price received by Stanton from your purchase of such merchandise. In no event will Stanton be liable for any special, incidental or consequential damages (including loss of use, loss of profit and claims of third parties) however caused, whether by the negligence of Stanton or otherwise. To the extent permitted by law and except as otherwise provided above, Stanton disclaims any express or implied warranties of merchantability or fitness for a particular purpose.

The above warranty provides you with specific legal rights. You may also have additional rights, which are subject to variation from state to state and country to country.

If there is a dispute regarding the warranty of merchandise that does not fall under the warranty conditions stated above, please include a written explanation with the merchandise when returned pursuant to the terms and conditions set forth herein.

Please register your product online at [www.stantondj.com](http://www.stantondj.com)

Stanton Magnetics  
772 S. Military Trail  
Deerfield Beach, FL 33442  
Phone: +1 (954) 949-9600

Technical Support: [service@stantonmagnetics.com](mailto:service@stantonmagnetics.com)