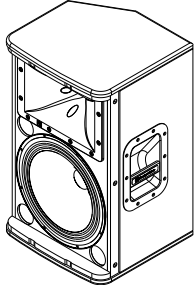
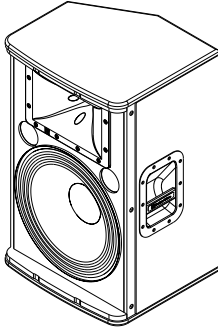
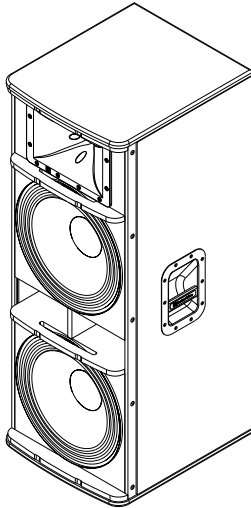
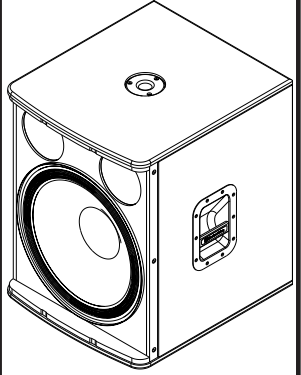




# Specifications

Model (Part Number)	ELX 112 (F01U170823)	ELX 115 (F01U170824)	ELX 215 (F01U170826)	ELX 118 (F01U170825)
				
Freq. Response (-3 dB):	82 Hz - 18 kHz <sup>1</sup>	75 Hz - 18 kHz <sup>1</sup>	62 Hz - 18 kHz <sup>1</sup>	50 Hz - 100 Hz <sup>2</sup>
Freq. Range (-10 dB):	55 Hz - 20 kHz <sup>1</sup>	50 Hz - 20 kHz <sup>1</sup>	38 Hz - 20 kHz <sup>1</sup>	35 Hz - 200 Hz <sup>2</sup>
Axial Sensitivity:	94 dB	95 dB	96 dB	96 dB
Max. Measured SPL <sup>3</sup> :	132 dB	134 dB	137 dB	134 dB
Recommended HP Freq.:	45 Hz	40 Hz	35 Hz	30 Hz
Coverage (Horiz. x Vert.):	90° x 50°			Omnidirectional
Power Handling:	250W Continuous, 1000W Peak	400W Continuous, 1600W Peak	600W Continuous, 2400W Peak	400W Continuous, 1600W Peak
LF Transducer(s):	(1) EVS-12K, 305mm (12") Woofer	(1) EVS-15K, 381mm (15") Woofer	(2) EVS-15K, 381mm (15") Woofers	(1) EVS-18K, 457mm (18") Woofer
HF Transducer:	DH-1K, 39mm (1.5") Titanium Diaphragm Compression Driver			N/A
Crossover Frequency:	2.1 kHz	1.7 kHz		N/A
Nominal Impedance:	8 Ohms		4 Ohms	8 Ohms
Minimum Impedance:	7.0 Ohms	7.4 Ohms	3.7 Ohms	6.7 Ohms
Connectors:	Dual NL4			
Enclosure Material:	9-ply, 15mm Plywood, Internally Braced, with Textured Paint			
Grille:	18GA Steel with Black Powdercoat			
Dimensions (H x W x D):	607mm x 362mm x 340mm (23.89" x 14.25" x 13.41")	708mm x 432mm x 382mm (27.89" x 17.02" x 15.05")	1154mm x 432mm x 501mm (45.44" x 17.02" x 19.73")	661mm x 507mm x 574mm (26.02" x 19.98" x 22.60")
Net Weight:	15.8 kg (35.0 lbs)	23.0 kg (50.6 lbs)	44.1 kg (97.2 lbs)	31.8 kg (70.0 lbs)
Shipping Weight:	20.0 kg (44.1 lbs)	27.8 kg (61.5 lbs)	52.0 kg (114.7 lbs)	35.4 kg (78.0 lbs)
Accessories:	TSS-1, Aluminum Tripod Stand TSP-1, Tripod Kit, Includes (2) Tripod Stands and Carrying Case ASP-1, Steel Subwoofer Stand		N/A	ASP-1, Steel Subwoofer Stand

<sup>1</sup> Full Space Measurement

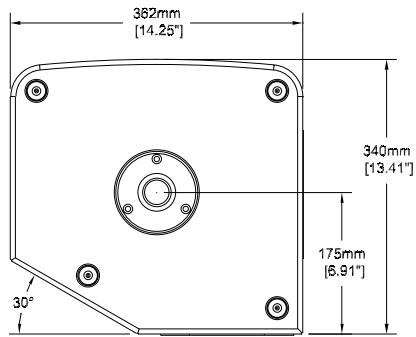
<sup>2</sup> Half Space Measurement

<sup>3</sup> Max SPL is measured at 1m using broadband pink noise at rated peak power rating.

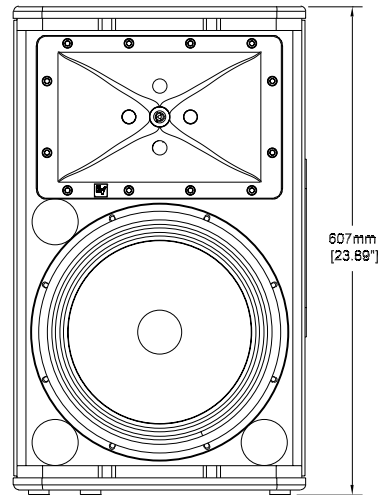
# Live X

## Dimensions

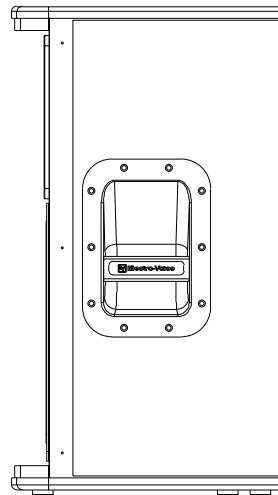
### ELX112



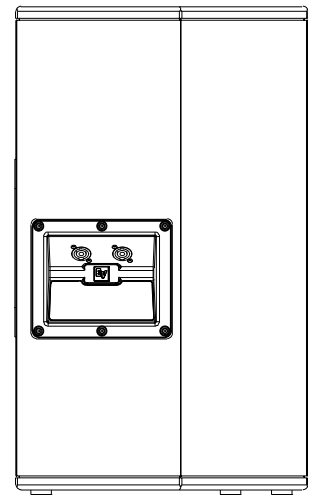
Bottom View



Front View

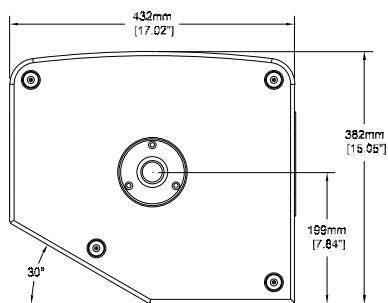


Right View

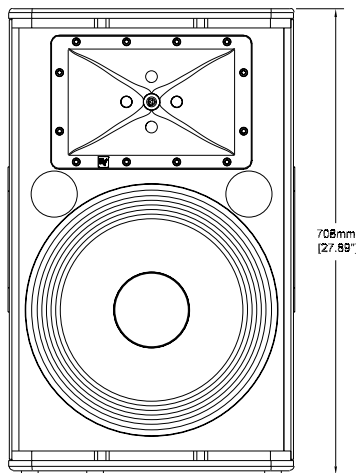


Rear View

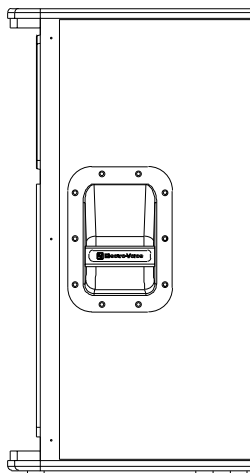
### ELX115



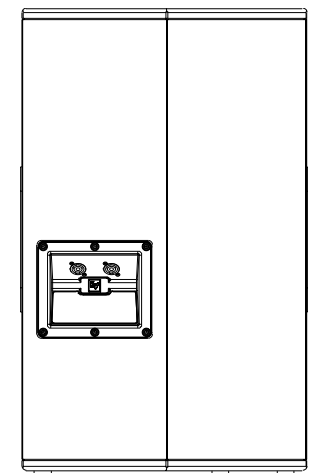
Bottom View



Front View



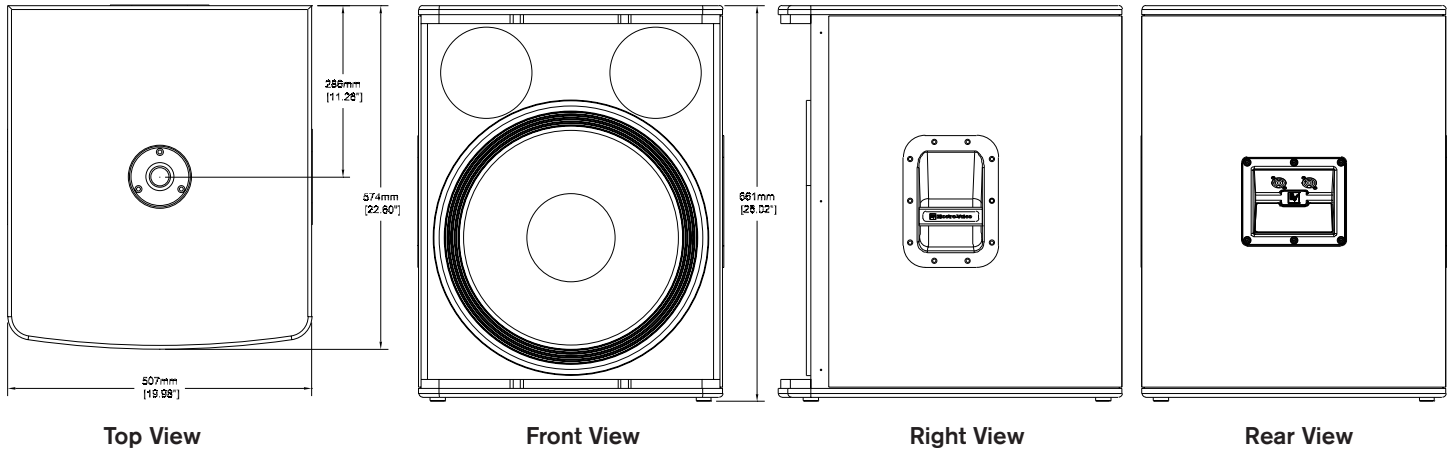
Right View



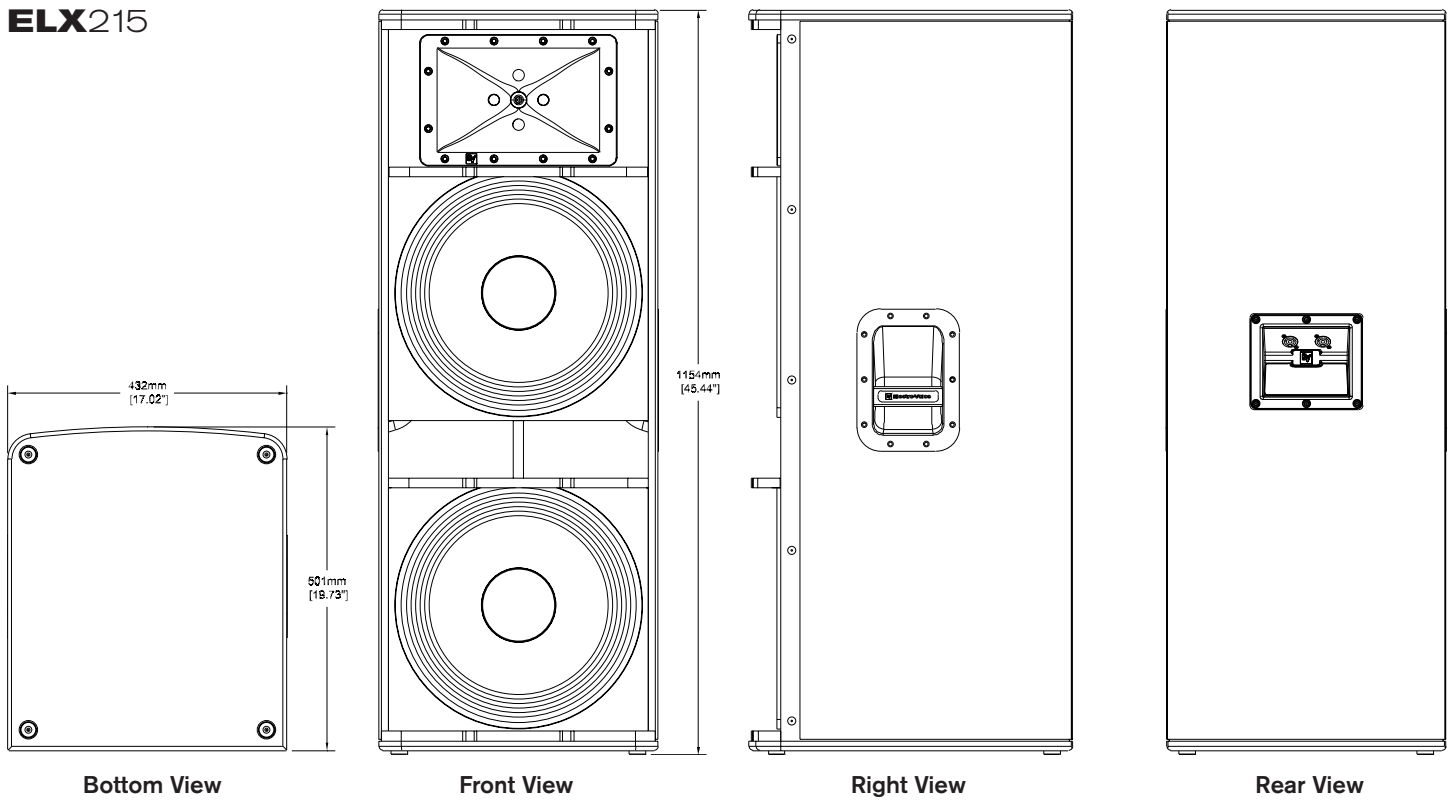
Rear View

# Dimensions (cont')

## ELX118

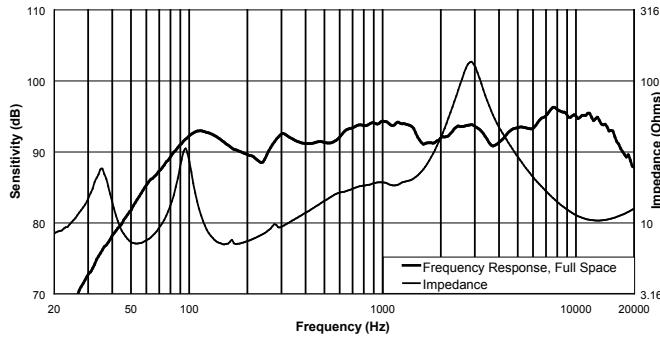


## ELX215

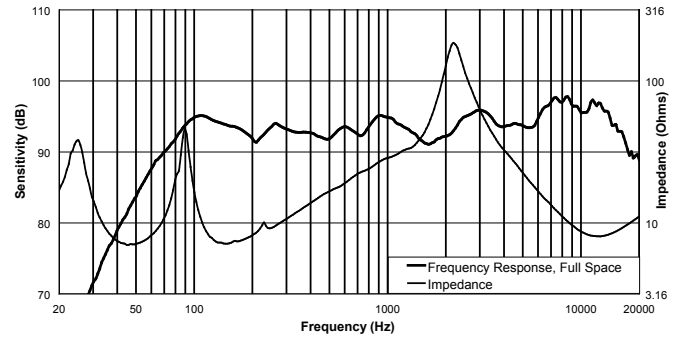


## Frequency Response Graphs

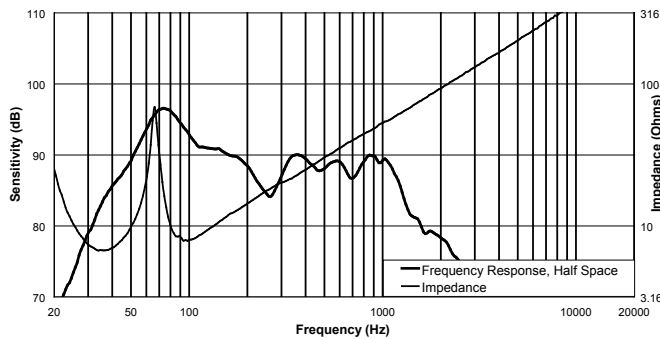
**ELX112**



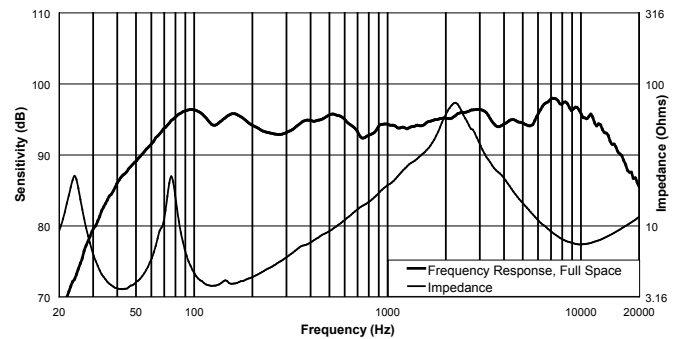
**ELX115**



**ELX118**



**ELX215**



## Live X Model Reference Table

System Model	Coverage	Finish	Part No.
ELX112	90° x 50°	Black	F01U170823
ELX115	90° x 50°	Black	F01U170824
ELX118	Omnidirectional	Black	F01U170825
ELX215	90° x 50°	Black	F01U170826

## Warranty Information

Visit [www.electrovoice.com/warranty](http://www.electrovoice.com/warranty) for warranty information.