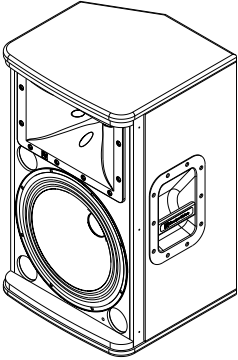
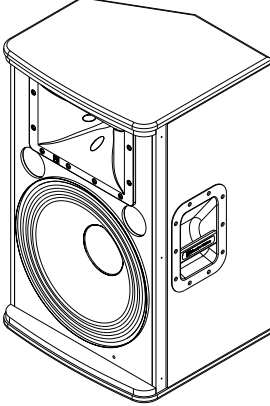
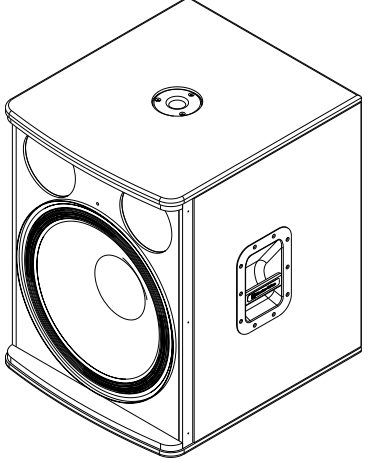




# Specifications

Model (Part Number)	ELX 112P (120V - F01U170820) (230V - F01U170817)	ELX 115P (120V - F01U170821) (230V - F01U170818)	ELX 118P (120V - F01U170822) (230V - F01U170819)
			
Freq. Response (-3 dB):	60 Hz - 18 kHz <sup>1</sup>	56 Hz - 18 kHz <sup>1</sup>	42 Hz - 100 Hz <sup>2</sup>
Freq. Range (-10 dB):	50 Hz - 20 kHz <sup>1</sup>	44 Hz - 20 kHz <sup>1</sup>	32 Hz - 130 Hz <sup>2</sup>
Max. Measured SPL <sup>3</sup> :	132 dB	134 dB	134 dB
Coverage (Horiz. x Vert.):	90° x 50°		Omnidirectional
Power Handling:	1000W		700W
LF Transducer:	(1) EVS-12K, 305mm (12") Woofer	(1) EVS-15K, 381mm (15") Woofer	(1) EVS-18K, 457mm (18") Woofer
HF Transducer:	DH-1K, 39mm (1.5") Titanium Diaphragm Compression Driver		N/A
Crossover Frequency:	1.7 kHz		100 Hz
Connectors:	(2) XLR/TRS Combo Jacks, (1) Stereo RCA, (1) XLR Link Output		(1) XLR/TRS Combo Jack, (1) XLR Link Output
Enclosure Material:	9-ply, 15mm Plywood, Internally Braced, with Textured Paint		
Grille:	18GA Steel with Black Powdercoat		
Dimensions (H x W x D):	607mm x 362mm x 340mm (23.89" x 14.25" x 13.41")	708mm x 432mm x 382mm (27.89" x 17.02" x 15.05")	661mm x 507mm x 574mm (26.02" x 19.98" x 22.60")
Net Weight:	18.8 kg (41.6 lbs)	24.3 kg (53.7 lbs)	31.7 kg (69.7 lbs)
Shipping Weight:	23.2 kg (51.3 lbs)	29.5 kg (65.1 lbs)	39.3 kg (86.6 lbs)
Accessories:	TSS-1, Aluminum Tripod Stand TSP-1, Tripod Kit, Includes (2) Tripod Stands and Carrying Case ASP-1, Steel Subwoofer Stand		ASP-1, Steel Subwoofer Stand

<sup>1</sup> Full Space Measurement, Boost Mode, Full-Range Mode.

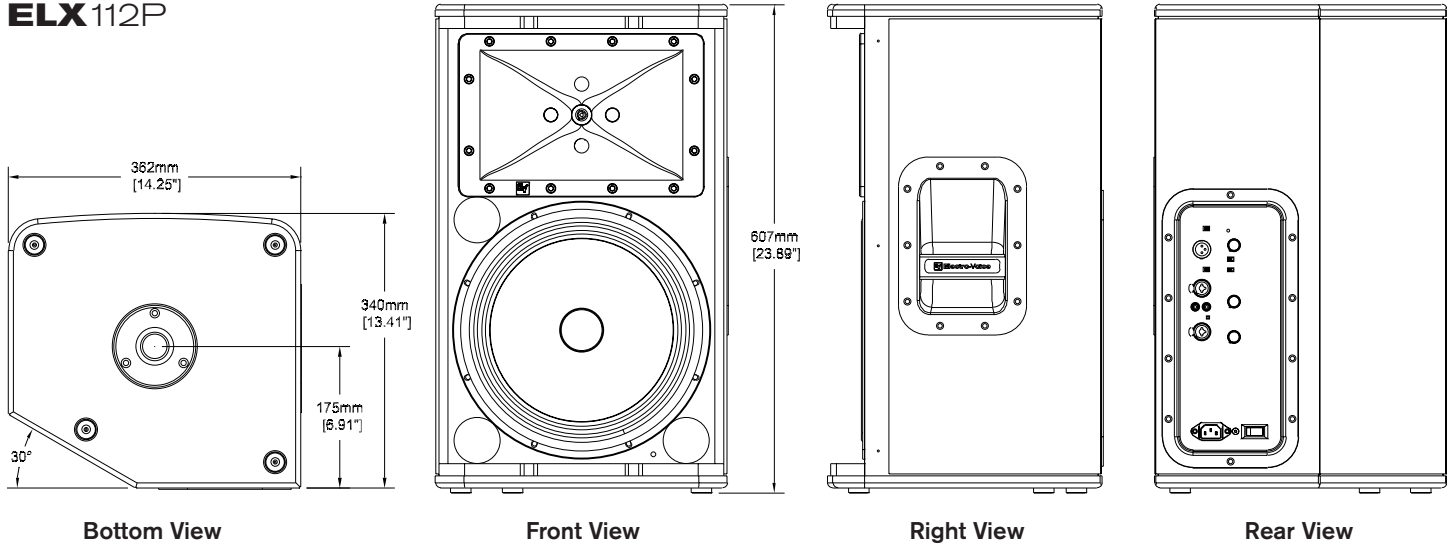
<sup>2</sup> Half Space Measurement, Boost Mode

<sup>3</sup> Max SPL is measured at 1m using broadband pink noise at maximum amplifier output.

# Live X

## Dimensions

### ELX 112P



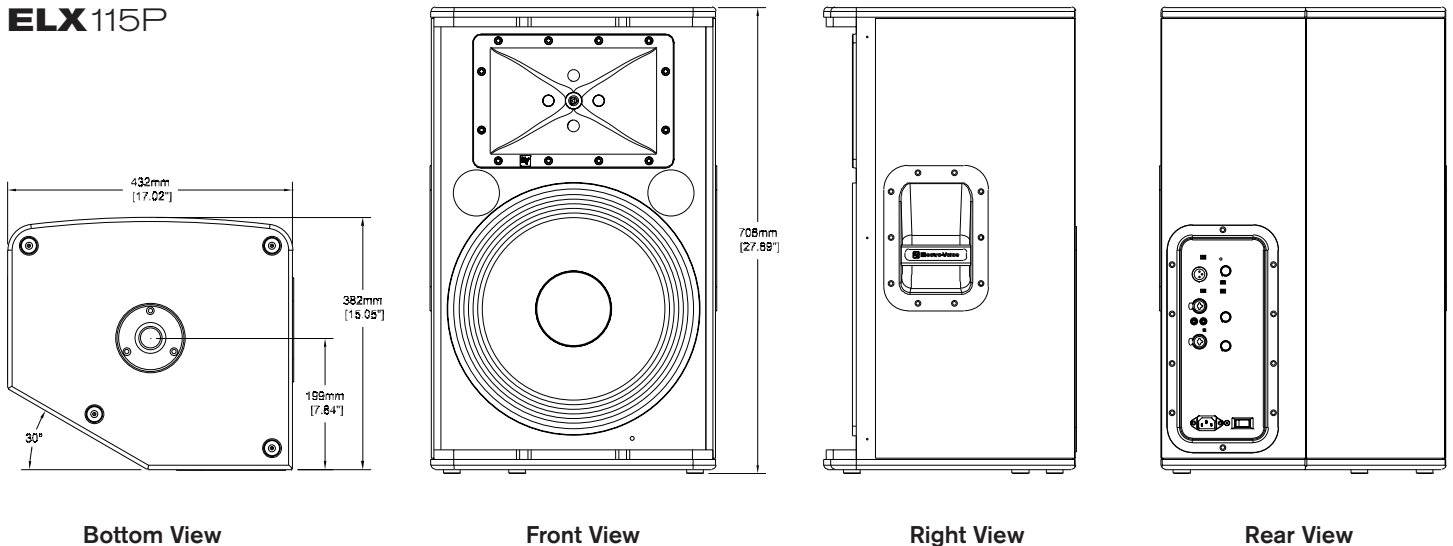
Bottom View

Front View

Right View

Rear View

### ELX 115P



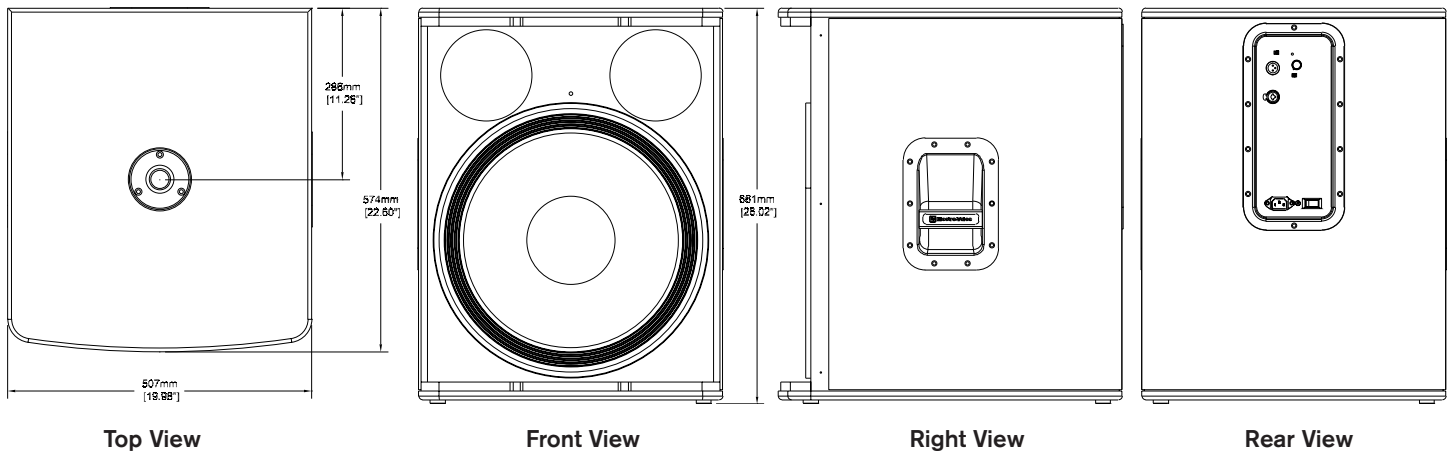
Bottom View

Front View

Right View

Rear View

### ELX 118P



Top View

Front View

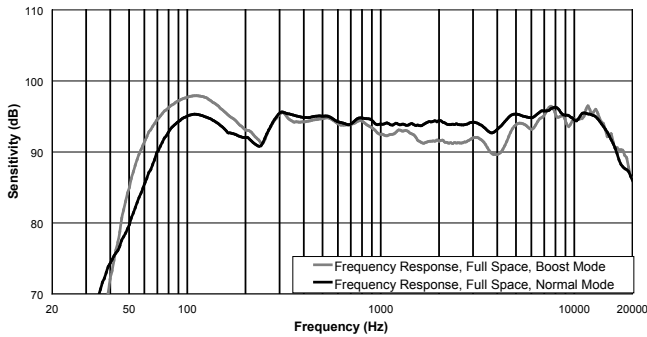
Right View

Rear View

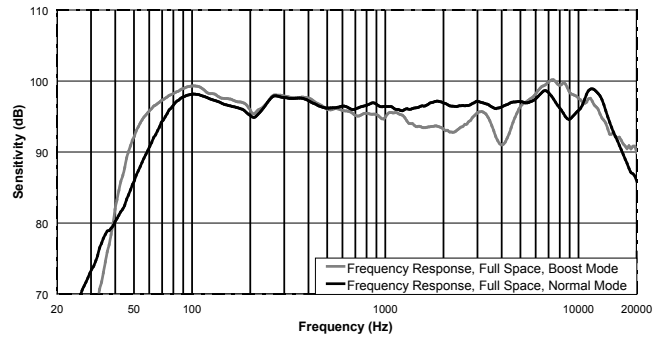


# Frequency Response Graphs

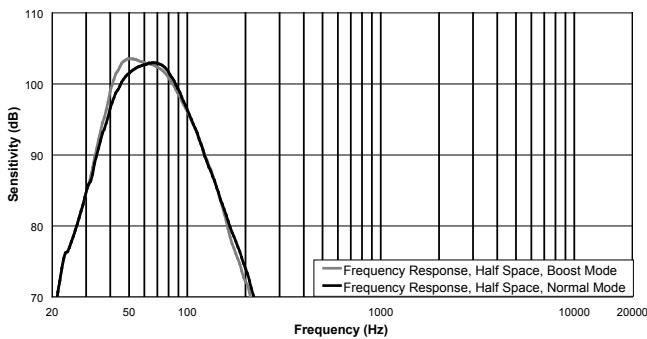
## ELX112P



## ELX115P



## ELX118P



## Live X Model Reference Table

System Model	Coverage	Finish	Voltage	Part No.
ELX112P (120V)	90° x 50°	Black	120V	F01U170820
ELX112P (230V)	90° x 50°	Black	230V	F01U170817
ELX115P (120V)	90° x 50°	Black	120V	F01U170821
ELX115P (230V)	90° x 50°	Black	230V	F01U170818
ELX118P (120V)	Omnidirectional	Black	120V	F01U170822
ELX118P (230V)	Omnidirectional	Black	230V	F01U170819

## Warranty Information

Visit [www.electrovoice.com/warranty](http://www.electrovoice.com/warranty) for warranty information.